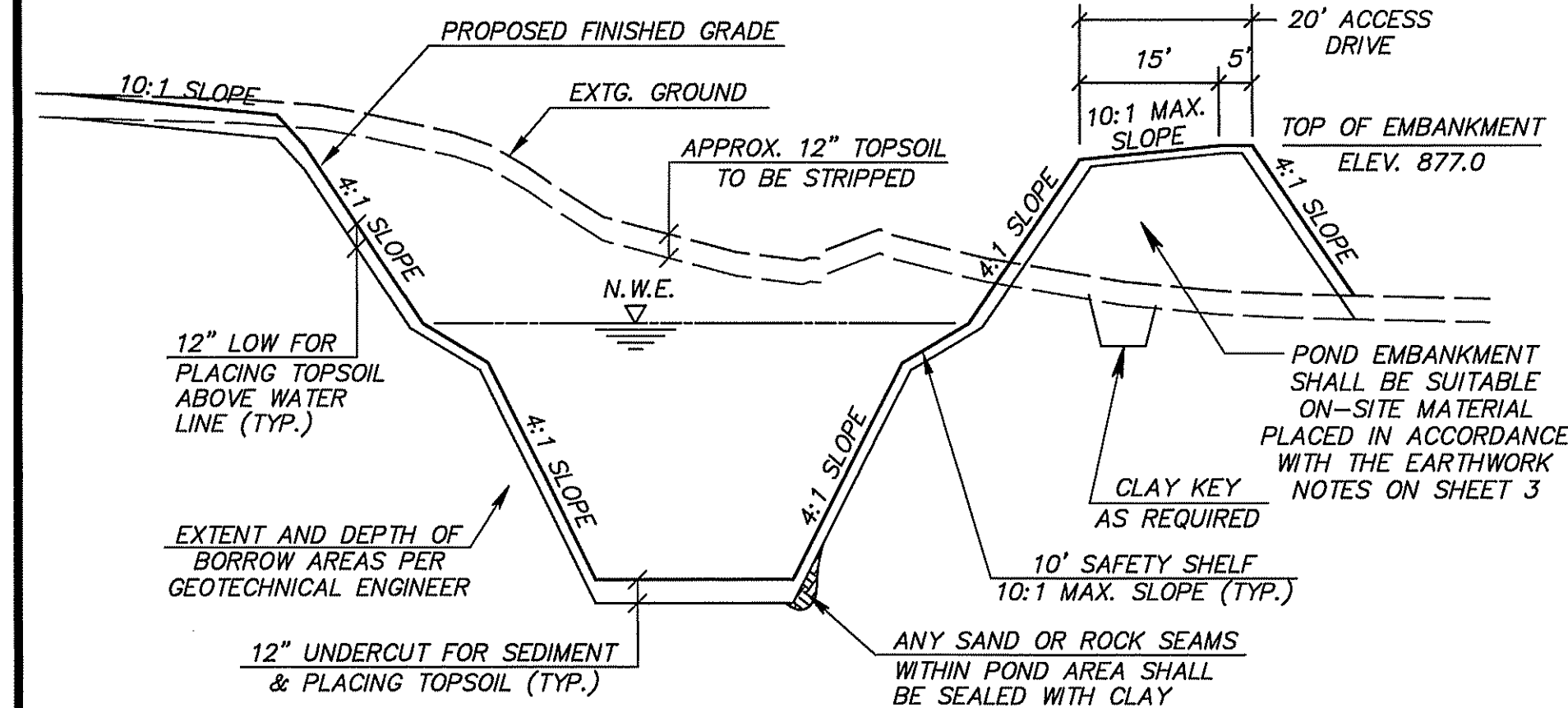


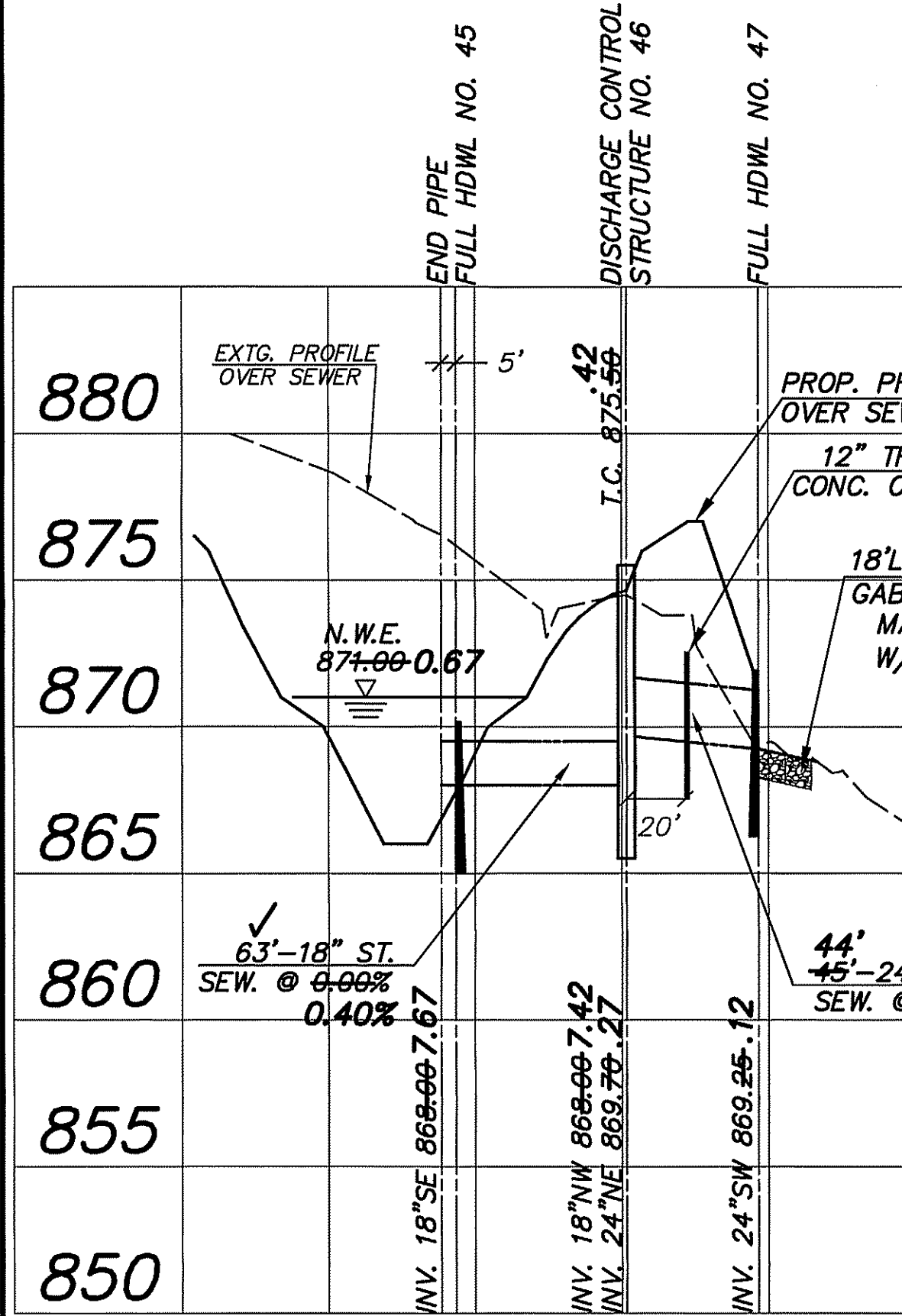
**EMERGENCY SPILLWAY DETAIL
(PAVED GUTTER W/ CUTOFF WALL)**

SCALE: 1/2"=1'-0"



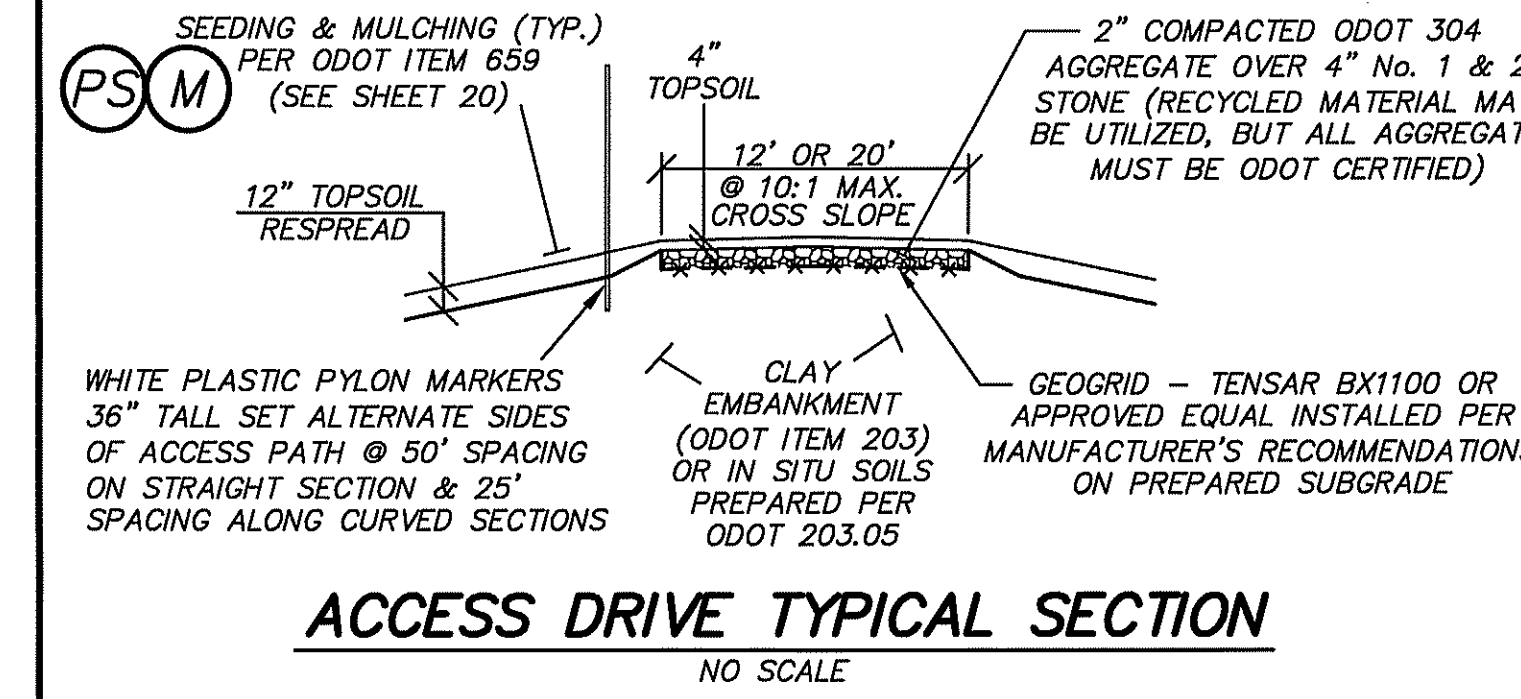
TYPICAL POND EXCAVATION SECTION

NO SCALE



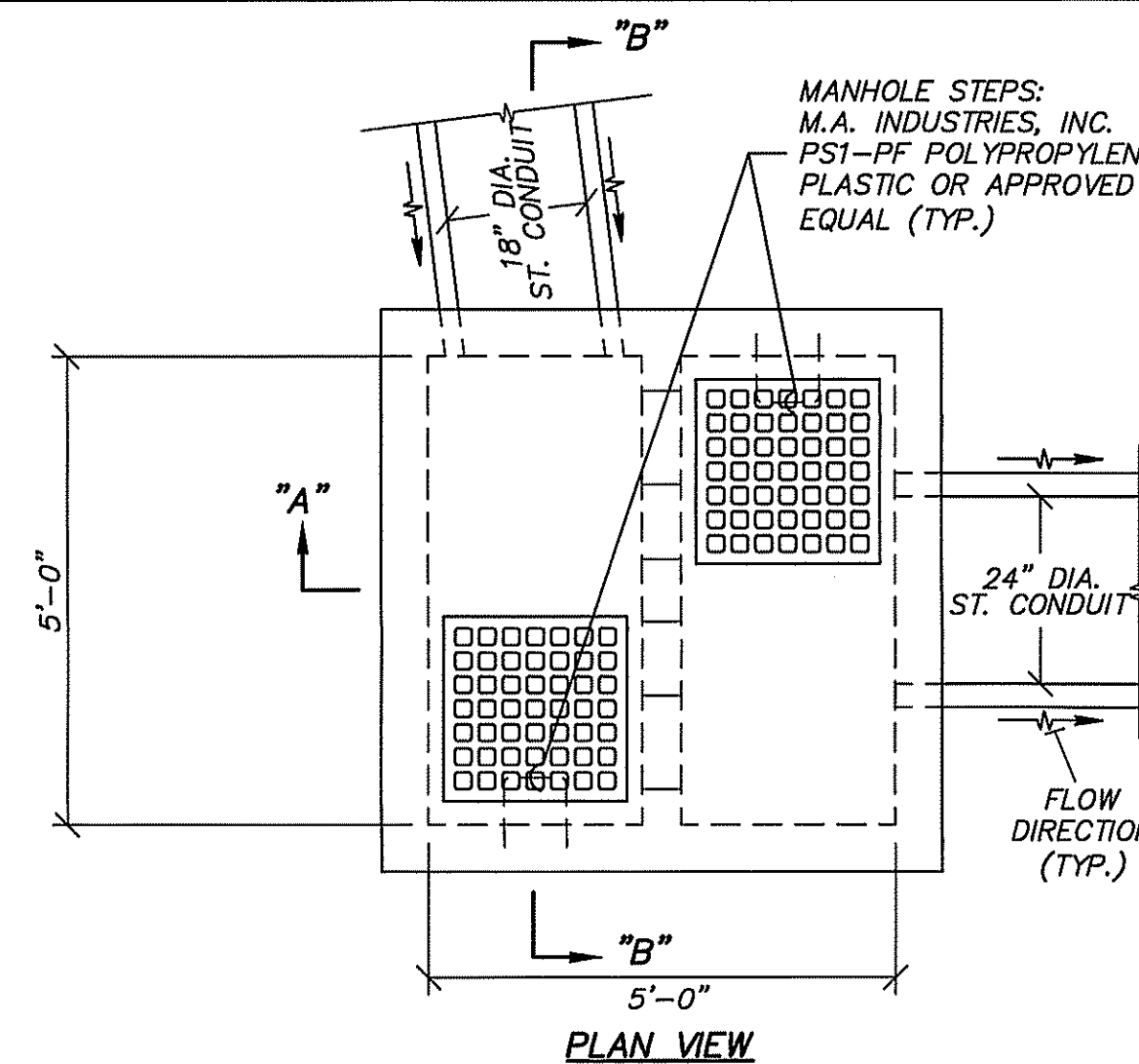
PROFILE J

HORIZ. SCALE: 1"=50'
VERT. SCALE: 1"=5'



ACCESS DRIVE TYPICAL SECTION

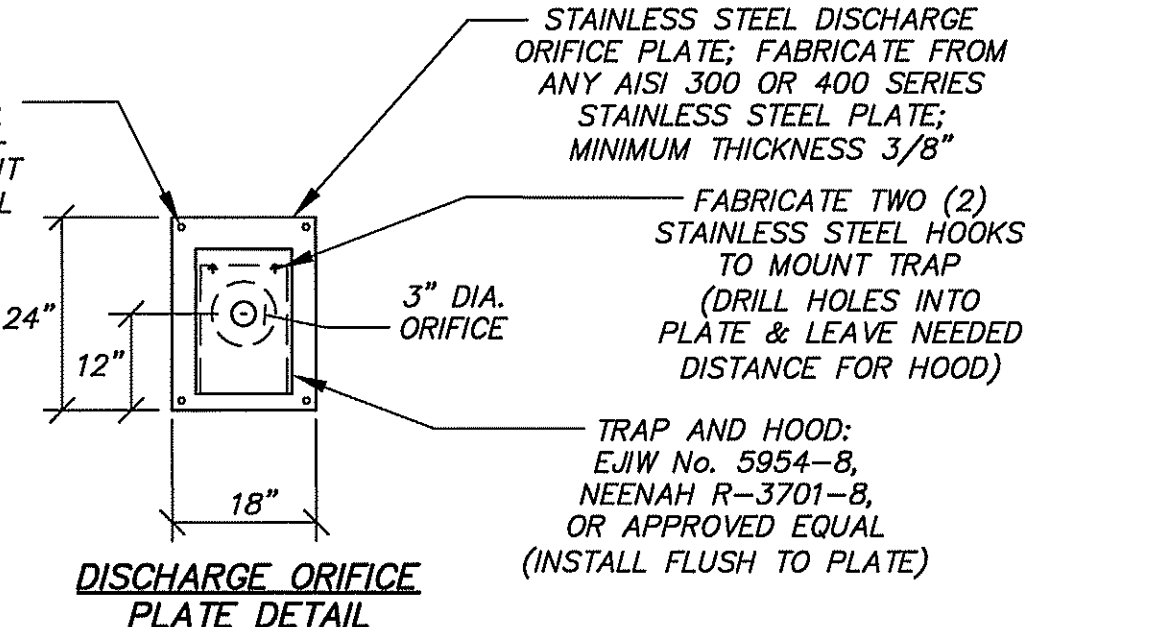
NO SCALE



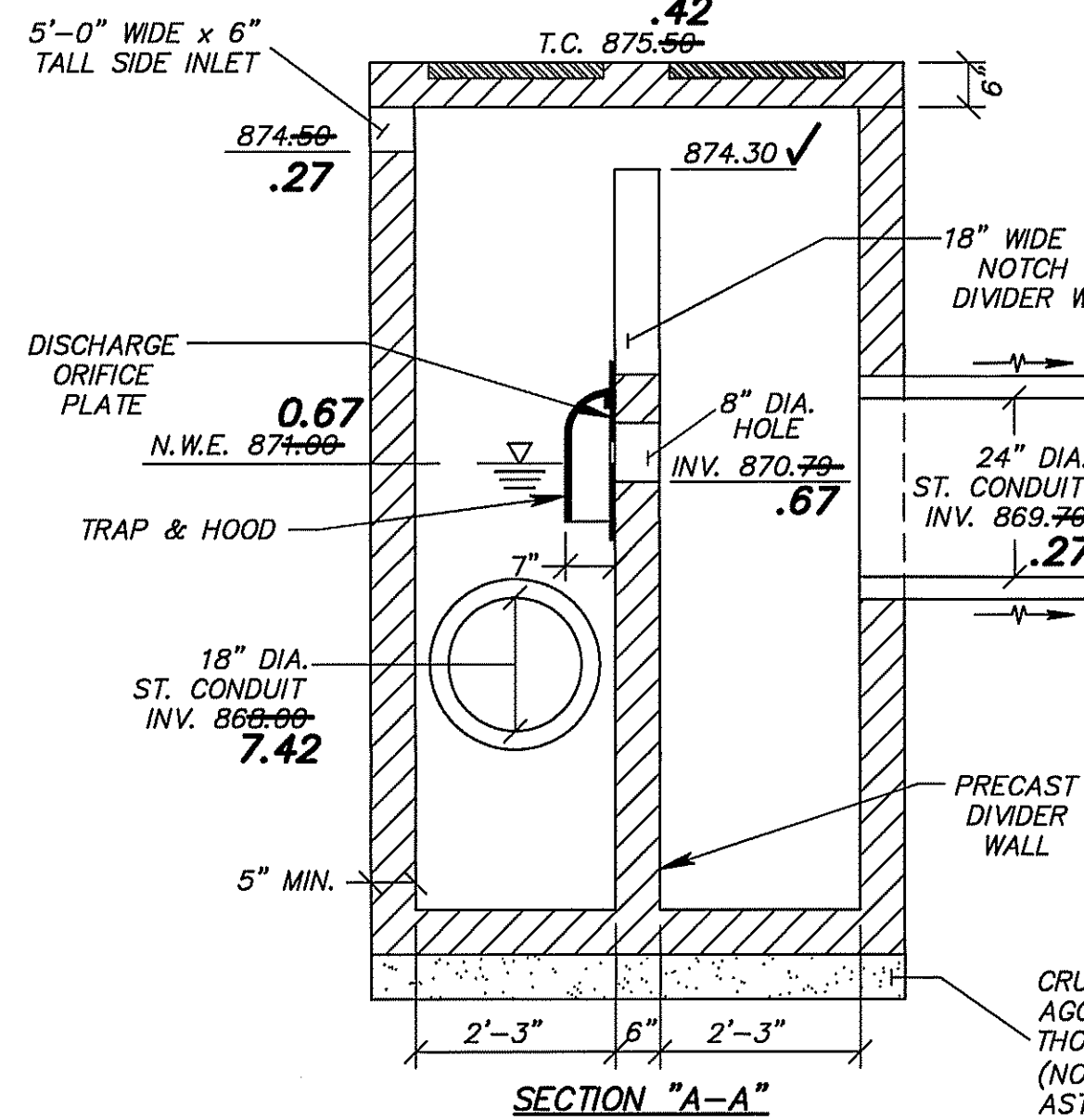
PLAN VIEW

- NOTES:**
- 1.) ALL STRUCTURE TO PIPE CONNECTIONS AND PIPE JOINTS SHALL HAVE WATERTIGHT SEALS.
 - 2.) THE 12" THICK CONCRETE COLLAR SHALL BE 3,000 PSI NON-REINFORCED CONCRETE ON THE DISCHARGE CONDUIT AND SHALL EXTEND A MINIMUM OF 24" BEYOND THE TRENCH LIMITS, 12" ABOVE THE PIPE AND 2'-6" BELOW THE PIPE. JOINT SEAL AROUND PIPE AT CONCRETE COLLAR FOR WATER TIGHT SEAL WITH HYDRAULIC CEMENT; BACKFILL WITH CLAY AT CONCRETE COLLAR AS NECESSARY TO PROVIDE WATER-TIGHT OUTLET PIPE CONFIGURATION.
 - 3.) IF THE CONTROL STRUCTURE DIVIDER WALL IS PRECAST SEPARATELY, ALL WALL JOINTS AND WALL TO STRUCTURE JOINTS SHALL BE WATERTIGHT. THE DIVIDER WALL SHALL BE KEYPED INTO THE STRUCTURE BASE AND WALLS (PRECAST KEY 1" MINIMUM, 1-1/2" MAXIMUM DEPTH), AND SHALL BE GROUTED IN PLACE WITH NON-SHRINK GROUT.
 - 4.) THE DISCHARGE CONTROL ORIFICE PLATE SHALL HAVE A WATERTIGHT SEAL AGAINST THE WEIR WALL.

NOTE: POND SKIMMER CONFIGURATION IN PLACE AT TIME OF 8/19 UTILITY AS-BUILTS. SKIMMER TO REMAIN IN PLACE THROUGH HOUSE CONSTRUCTION (SEE SHEET 21).

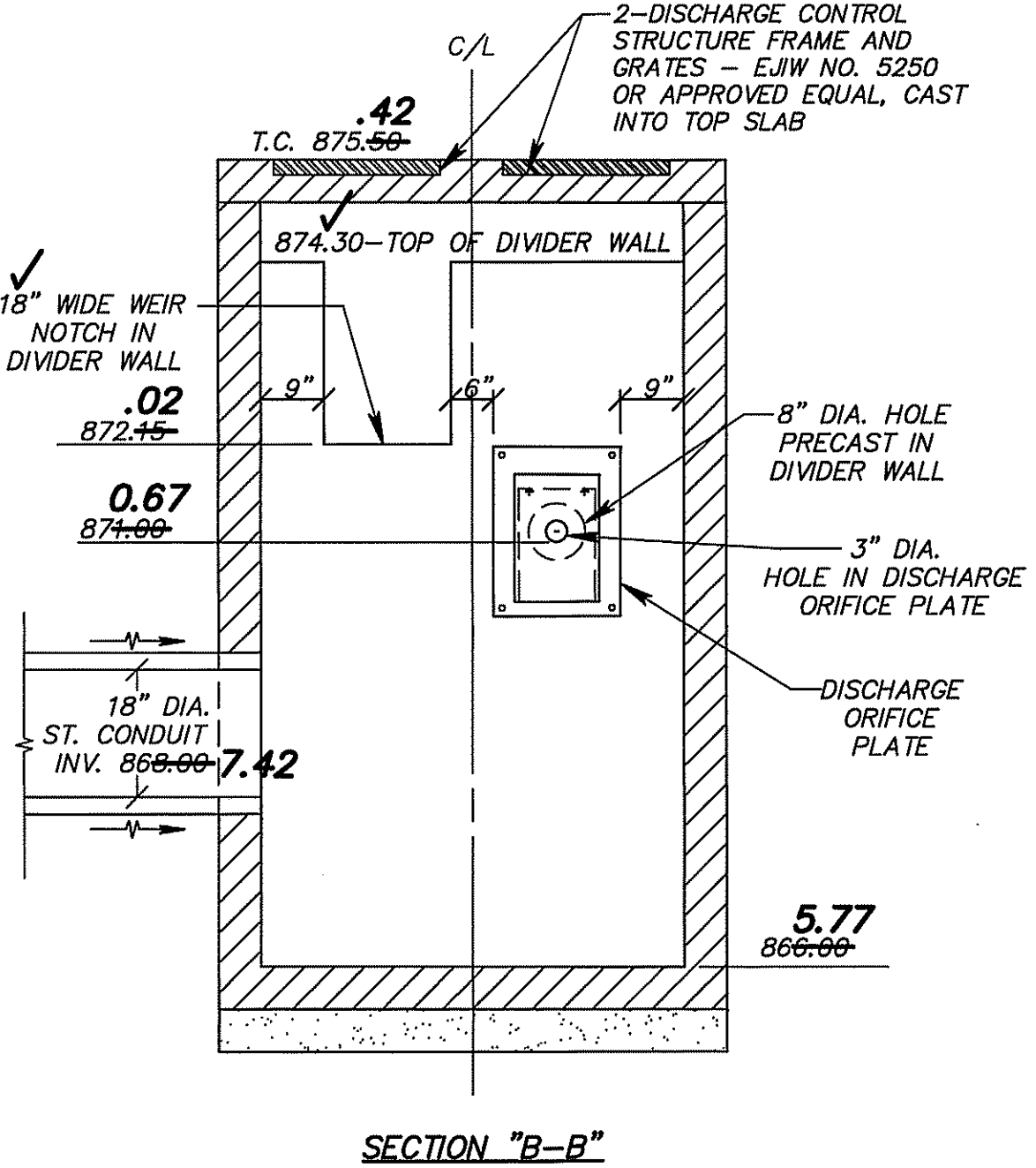


DISCHARGE ORIFICE PLATE DETAIL

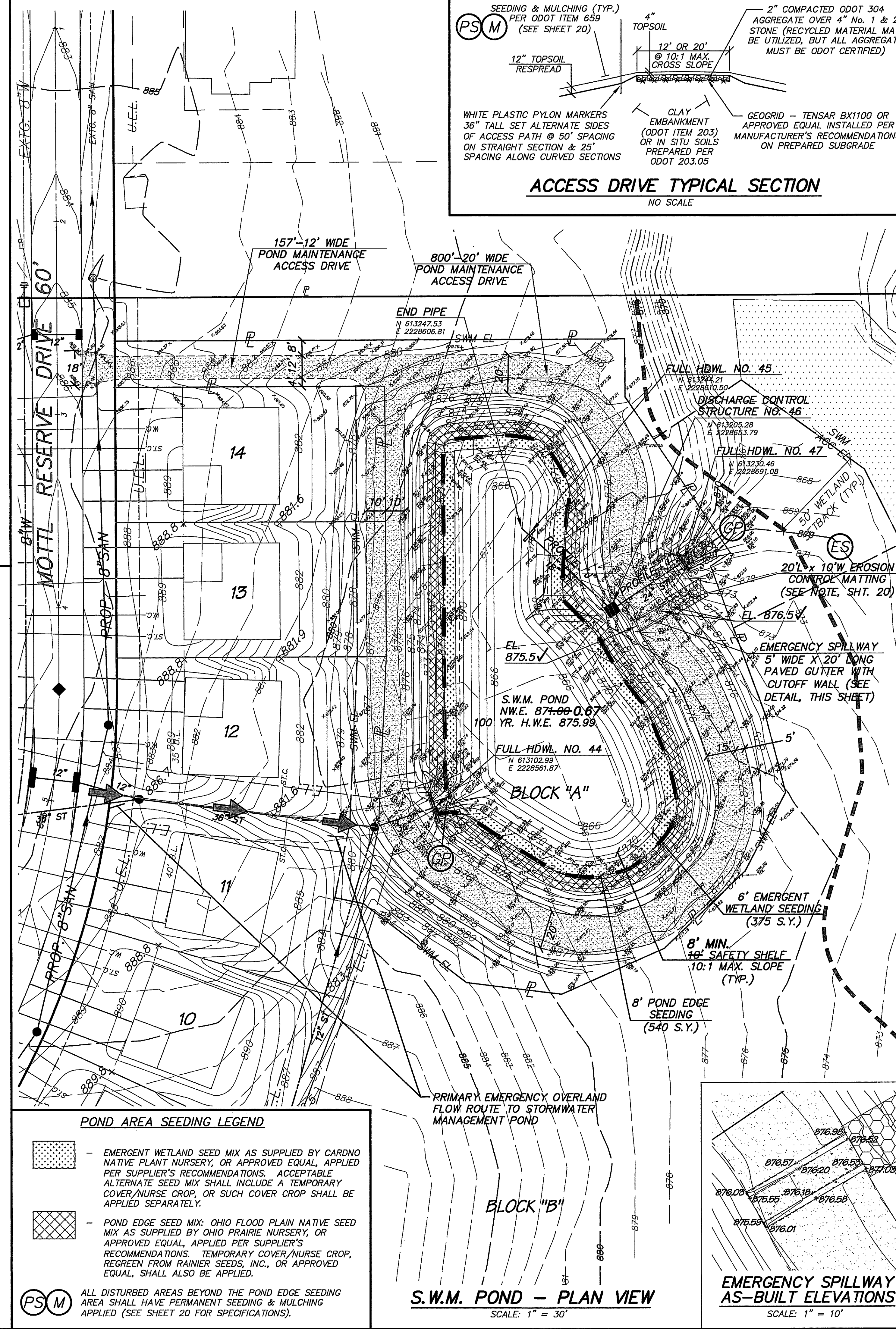


POND DISCHARGE CONTROL STRUCTURE NO. 46 DETAIL

(MODIFIED ODOT C.B. 2-5)
SCALE: 1/2"=1'-0"



SECTION B-B



S.W.M. POND - PLAN VIEW

SCALE: 1" = 30'

EMERGENCY SPILLWAY AS-BUILT ELEVATIONS

SCALE: 1" = 10'

- POND AREA SEEDING LEGEND**
- EMERGENT WETLAND SEED MIX AS SUPPLIED BY CARDNO NATIVE PLANT NURSERY, OR APPROVED EQUAL, APPLIED PER SUPPLIER'S RECOMMENDATIONS. ACCEPTABLE ALTERNATE SEED MIX SHALL INCLUDE A TEMPORARY COVER/NURSE CROP, OR SUCH COVER CROP SHALL BE APPLIED SEPARATELY.
 - POND EDGE SEED MIX: OHIO FLOOD PLAIN NATIVE SEED MIX AS SUPPLIED BY OHIO PRAIRIE NURSERY, OR APPROVED EQUAL, APPLIED PER SUPPLIER'S RECOMMENDATIONS. TEMPORARY COVER/NURSE CROP, REGREEN FROM RAINIER SEEDS, INC., OR APPROVED EQUAL, SHALL ALSO BE APPLIED.

ALL DISTURBED AREAS BEYOND THE POND EDGE SEEDING AREA SHALL HAVE PERMANENT SEEDING & MULCHING APPLIED (SEE SHEET 20 FOR SPECIFICATIONS).

REVISIONS

6/18	POND ACCESS
7/18	REV. PER S.C.E.
7/18	REV. PER S.C.E. RWV
9/18	POND LANDSC.
9/18	REV. PER S.C.E. RWV
8/19	UTIL. AS-BUILTS
10/19	POND AS-BUILTS
4/20	ADD. AS-BUILTS
6/20	LOW. PROP. N.W.E.
5/22	FINAL POND
	OUTLET CONFIG. W/ DISCH. ORIFICE PLATE

POND PLAN AND DETAILS ~ S.W.M. POND

MOTT RESERVE SUBDIVISION PHASES 1 & 2 SAGAMORE HILLS TOWNSHIP SUMMIT COUNTY, OHIO

DONALD G. BOHNING & ASSOCIATES, INC.
CIVIL ENGINEERING & SURVEYING
7979 HUB PARKWAY • VALLEY VIEW, OHIO 44125
PHONE: (216) 942-1130 FAX: (216) 942-1132
M: (216) 942-1130 (cell) 216-299-1010 (fax) 216-299-1010 (fax) 216-299-1010 (fax)

GRAPHIC SCALE
0' 15' 30'
HORIZ. SCALE
AS NOTED
VERT. SCALE
AS NOTED
DRN. DER. D.G.
DATE
MAY, 2018
ORDER NO.
3750-10

10 21