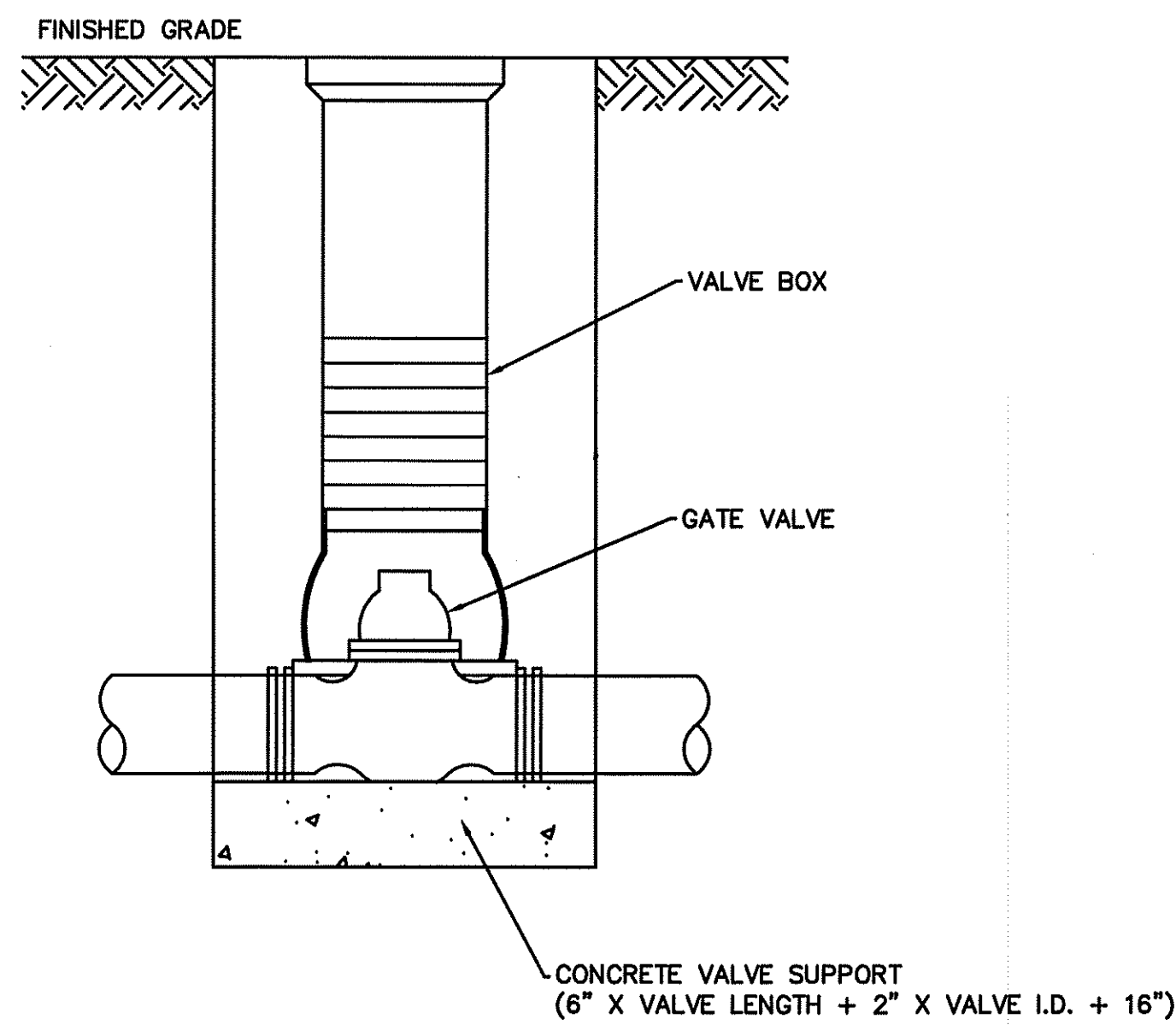
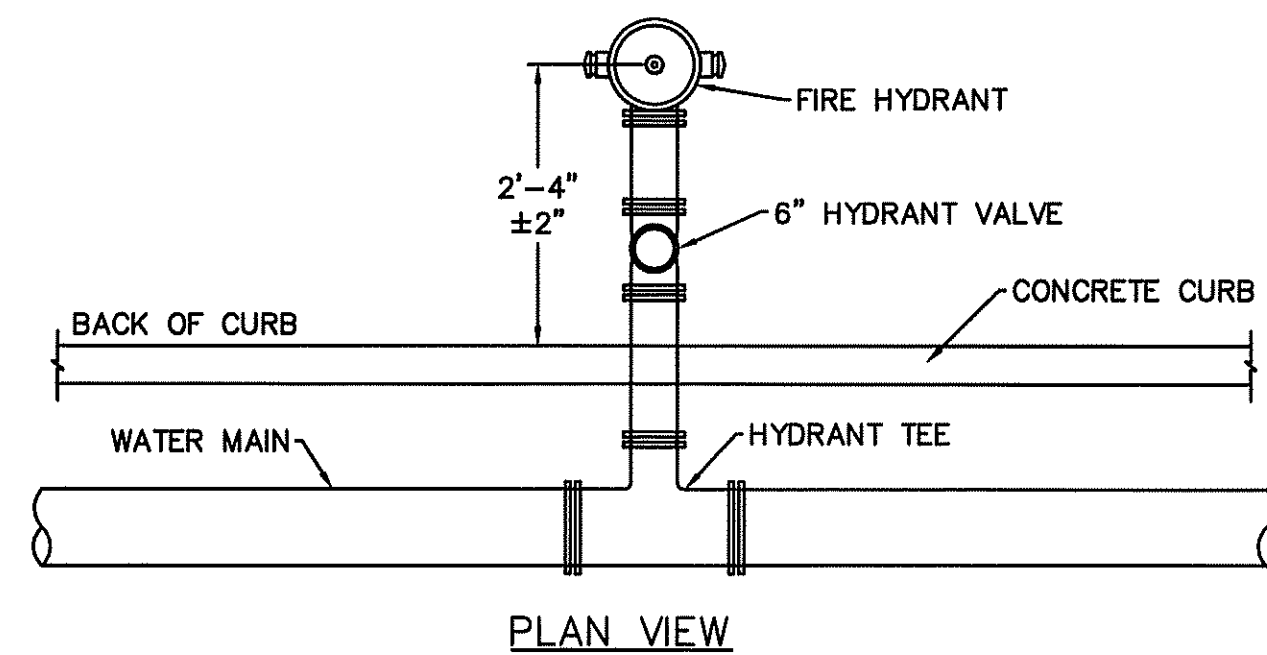


STANDARD WATER
MAIN TRENCH

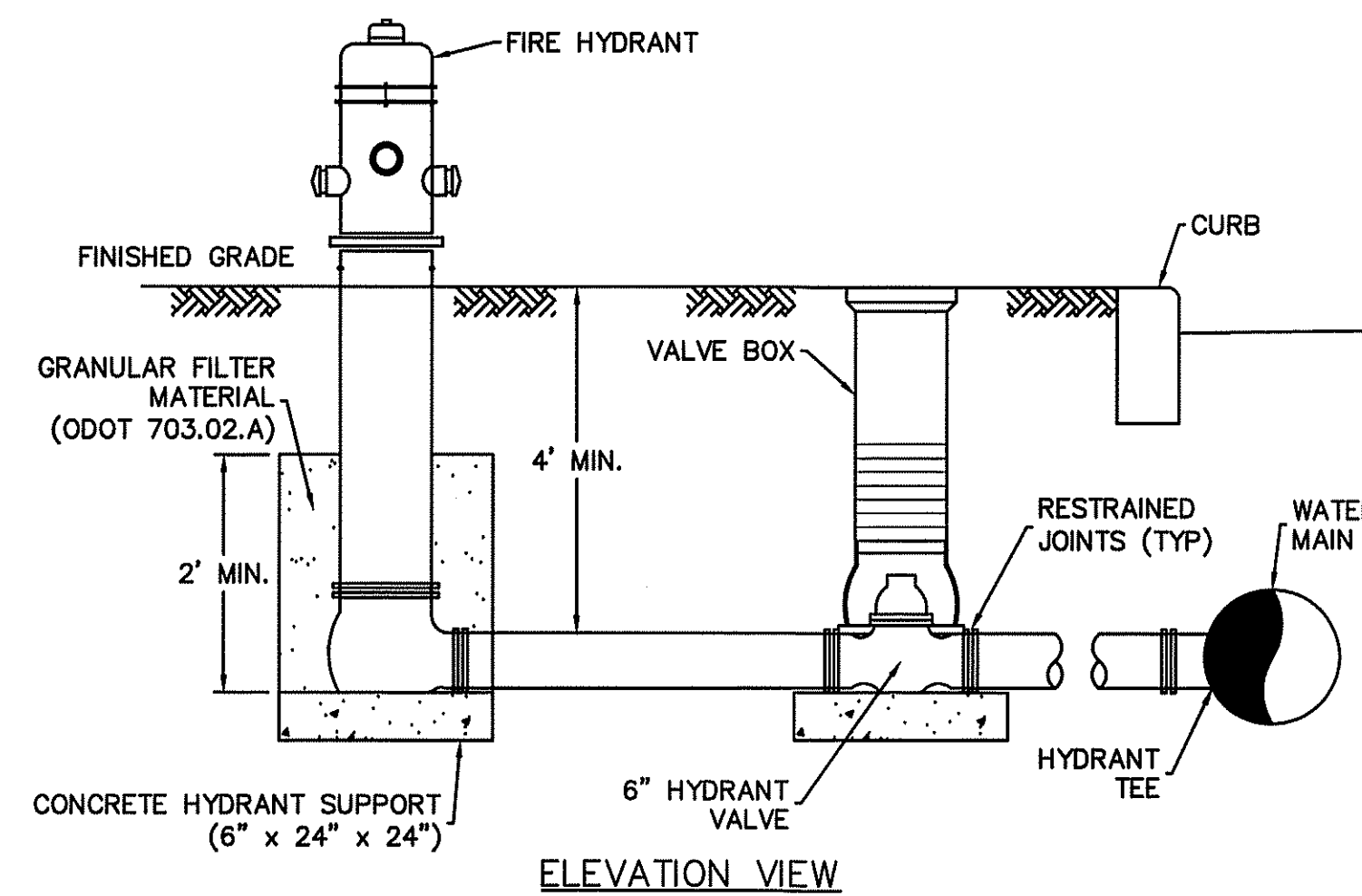


STANDARD WATER
VALVE SETTING

- Pipe - ODOT 638
Ductile Iron Pipe - Class 52
- Fittings - Gray or Ductile Iron with Mechanical Joints
- Thrust Restraint - Restrained Joints
Pipe Joints - EBAA Iron Series 1600 Restrainers or approved equal
Fitting Joints - EBAA Iron Series 2000PV Restrainers or approved equal
- Tracer Tape - 3" wide blue metalized foil tape imprinted with black lettering "CAUTION BURIED WATER LINE"
- Valves and Valve Boxes - Resilient Seated Gate Valves - Mueller Cat No A-2362-02 with mechanical joints
- Valve Boxes - Cast Iron Boxes - 5-1/4" diameter Buffalo style with screw type adjustable shaft and suitable cover with the word "WATER" cast in the top
- Fire Hydrants - Dry Barrel Fire Hydrants - Mueller Cat No A-423 with 6" mechanical joint inlet connection, 5-1/2" minimum main valve, one 4-1/2" pumper outlet having Akron Standard Fire Hose Threads and installing the Harrington permanent Storz fitting HPHA hydrant adapter which consists of two primary parts, as Storz adapter and a Storz cap, connected together with aircraft cable to prevent loss of cap, two 2-1/2" hose outlets having Akron Standard Fire Hose Threads, and painted red.
- Water Services -
Tapping Saddles - 6" pipe - Mueller Cat No H-16126
8" pipe - Mueller Cat No H-16130
10" pipe - Mueller Cat No H-16134
12" pipe - Mueller Cat No H-16137
- Corporation Stops - Mueller Cat No H-15008 with AWWA taper inlet threads and compression type outlet threads
- Copper Water Service Pipe - Type K
Curb Stops - Mueller Cat No H-15209 with compression type inlet and outlet threads
Curb Stop Boxes - Mueller Cat No H-10314 with stationary rod and one piece lid
Couplings - Mueller Cat No H-15403 with compression type inlet and outlet threads

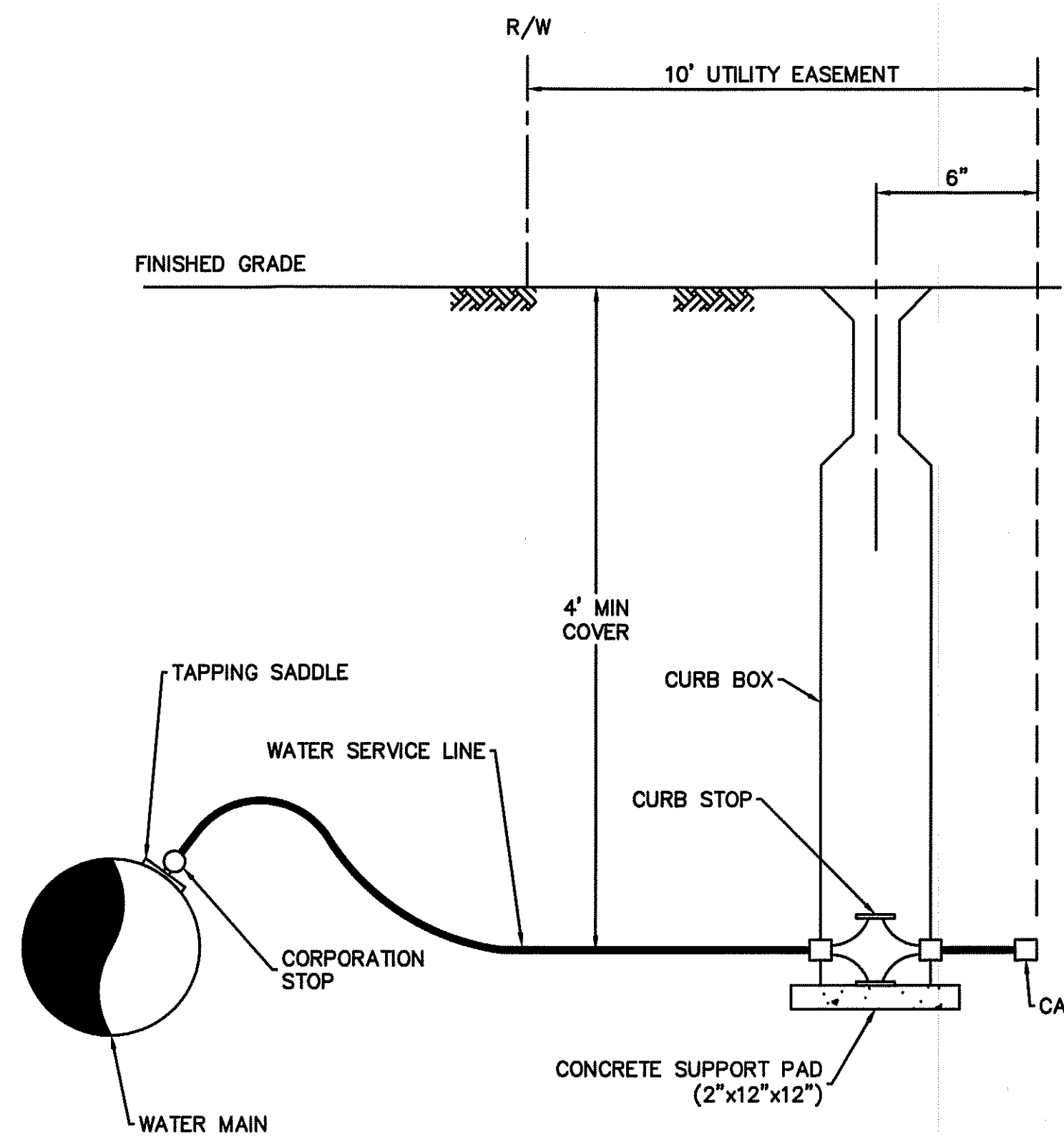


PLAN VIEW

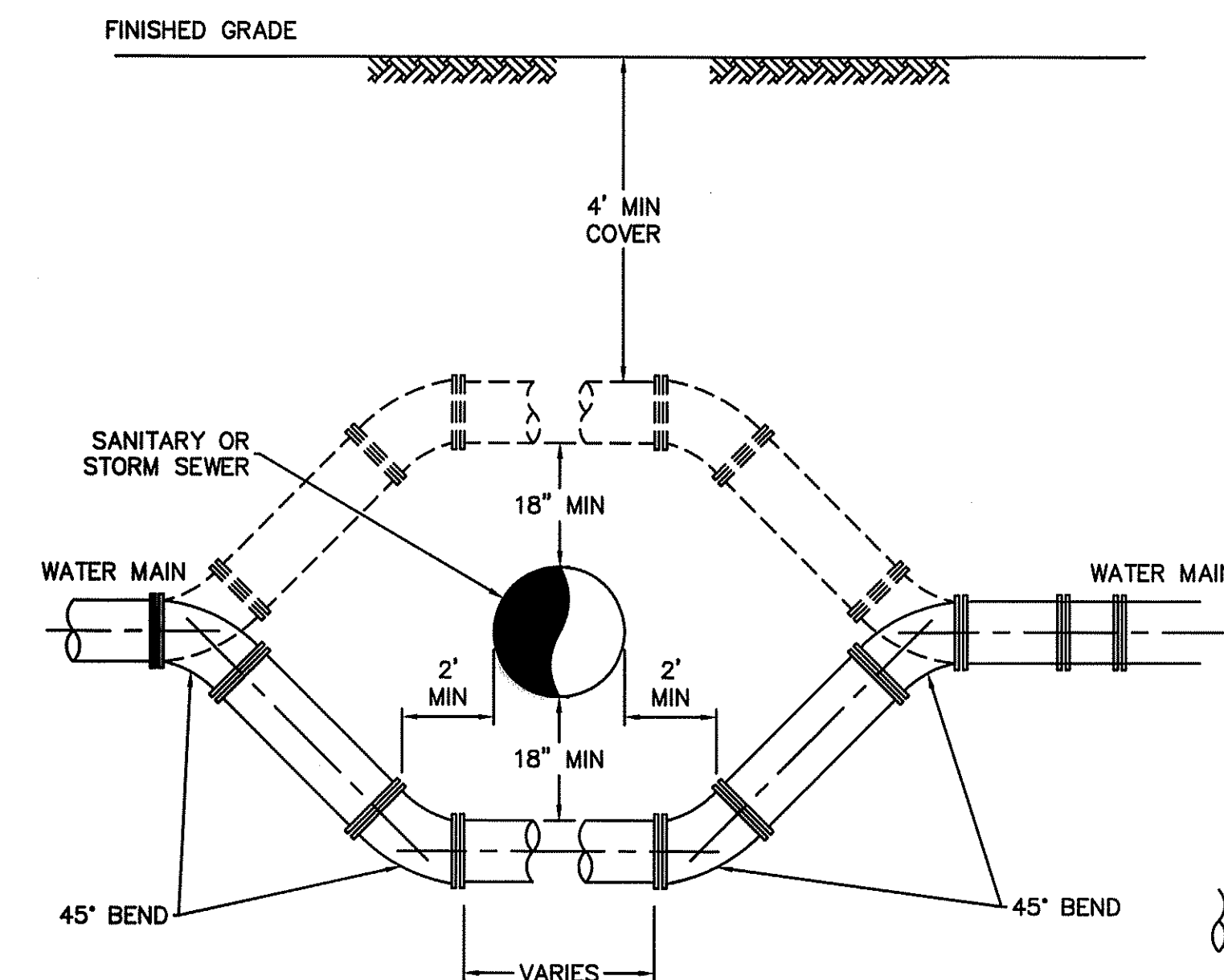


ELEVATION VIEW

STANDARD FIRE
HYDRANT SETTING

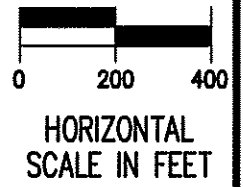
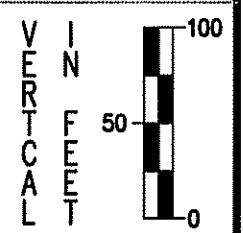
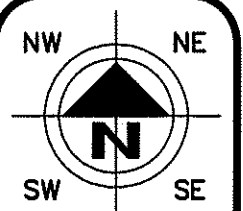


STANDARD
WATER SERVICES



- NOTES:
1. ALL JOINTS SHALL BE RESTRAINED.
2. CONCRETE BLOCKING IS NOT ACCEPTABLE.

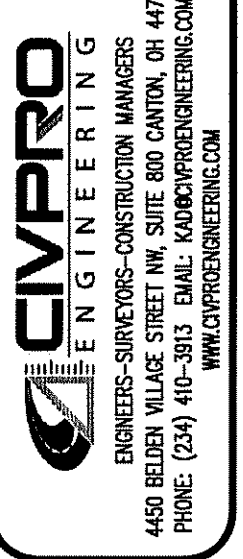
STANDARD WATER
MAIN OFFSET



CHECKED BY:
KAD
DATE:
June, 2020
DRAWN BY:
BMH
DATE:
June, 2020

REVISIONS:	DESCRIPTION
DATE	

Meadows of Wintergreen Phase 3
Village of Lakemore Water Line Details
Springfield Township
Summit County, Ohio



DRAWING NAME:
WG Water Det
REF NUMBER: