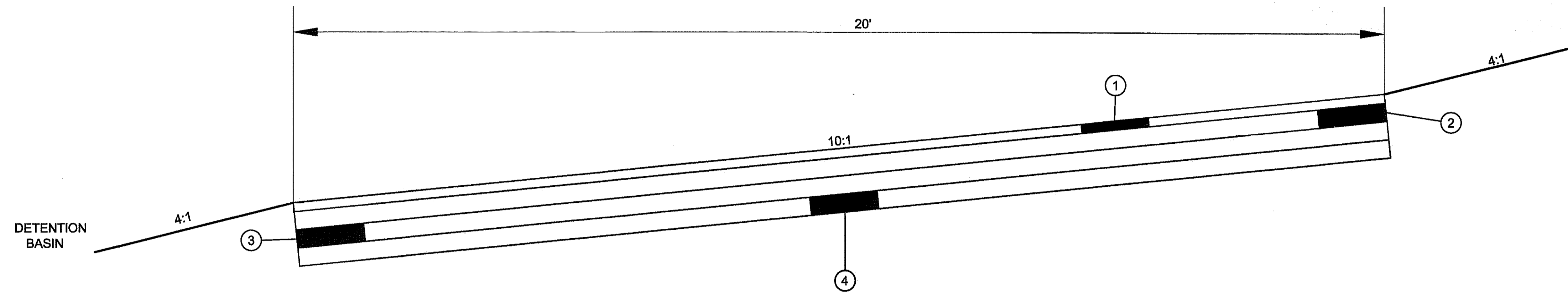


TYPICAL BASIN ACCESS DRIVE  
NOT TO SCALE, REFERENCE ONLY

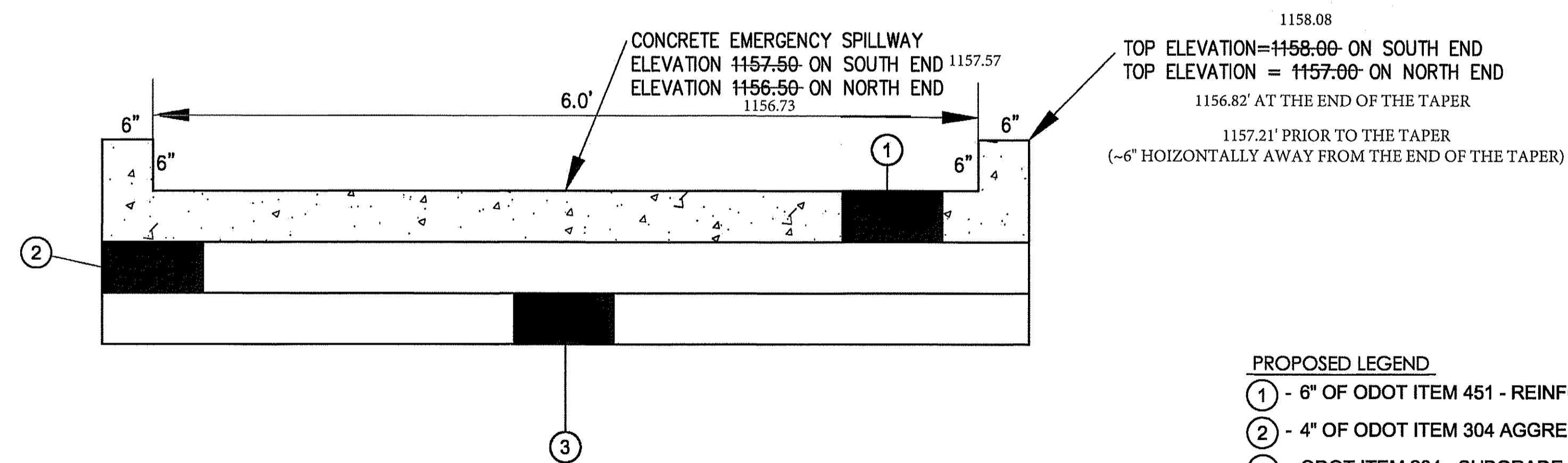


NOTE: THE 10:1 & 4:1 SLOPES ARE A MAXIMUM SLOPE, THE SLOPE WILL DIFFERENT, ESPECIALLY ON THE WEST SIDE OF THE BASIN BECAUSE THE EXISTING GROUND CAN BE MATCHED (SEE SHEET 20).

PROPOSED LEGEND

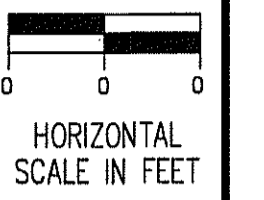
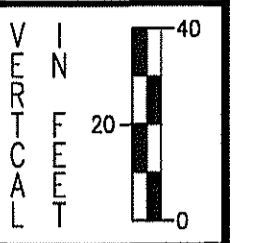
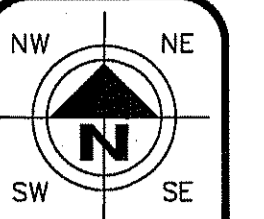
- ① - 2" OF ODOT ITEM 603 - TOPSOIL AND ODOT ITEM 659 - SEEDING AND MULCHING, CLASS 1
- ② - 3" OF ODOT ITEM 304 - AGGREGATE BASE
- ③ - 7" OF NO. 1 & NO. 2 AGGREGATE
- ④ - ODOT ITEM 204 - SUBGRADE COMPACTION

CONCRETE EMERGENCY SPILLWAY  
NOT TO SCALE, REFERENCE ONLY



PROPOSED LEGEND

- ① - 6" OF ODOT ITEM 451 - REINFORCED PORTLAND CEMENT CONCRETE PAVEMENT
- ② - 4" OF ODOT ITEM 304 AGGREGATE BASE
- ③ - ODOT ITEM 204 - SUBGRADE COMPACTION



CHECKED BY:  
KAD

DATE:  
Mar. 2021

DRAWN BY:  
BMH

DATE:  
Mar. 2021

REVISIONS:	DATE	DESCRIPTION

Meadows of Wintergreen Phase 3  
West Detention Basin Details  
Township of Springfield  
Summit County, Ohio

**CIVIPRO**  
ENGINEERING  
ENGINEERS-SURVEYORS-CONSTRUCTION MANAGERS  
4450 BELDEN VILLAGE STREET NW, SUITE 800 CANTON, OH 44718  
PHONE: (334) 401-3913 EMAIL: INFO@CIVIPROENGINEERING.COM  
WWW.CIVIPROENGINEERING.COM

DRAWING NAME:

PROJECT NUMBER: