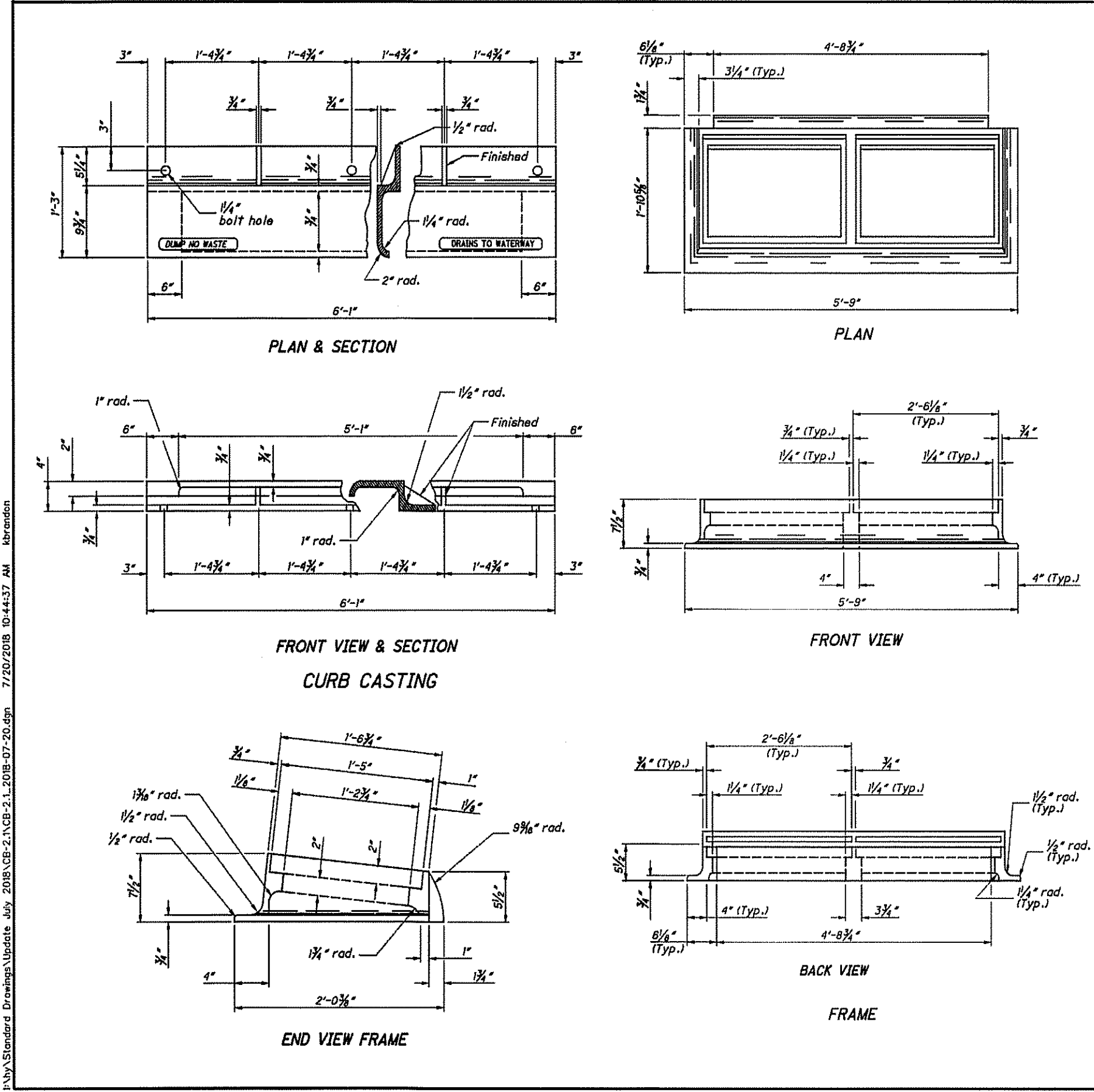


OFFICE OF HYDRAULICS AND ENVIRONMENTAL ENGINEERING
 M. COZZOLI
 CATCH BASIN No. 3
 CB-2.1
 1/2



NOTES
GRATES: Two required. For details, see SDO CB-2.2. Provide grate "X" unless the plans specifically require the diagonal grate. If the diagonal grate is specified, place it so that the diagonal bars direct drainage flow toward the curb.
CASTINGS: Provide a design essentially the same and equally as strong as the one shown. Minimum weights:
 Curb Casting 305 lbs.
 Two Grates 224 lbs.
 Frame 280 lbs.
 Two Grate "X" 210 lbs.
 Lighter weight frames and grates that meet the requirements of cast "X" may also be provided, provide grate openings and dimensions as shown here unless otherwise shown in the plans.
CAST THE FOLLOWING TEXT INTO THE TOP OF THE CURB CASTING:
"DUMP NO WASTE" and "DRAINS TO WATERWAY"
 Print text in bold, capital letters of least 3/8" high. See example on Plans & Section. "WATERWAY" may be substituted with "STREAM", "RIVER", "LAKE", etc. Actual placement and logo may vary per manufacturer.
BEARING AREAS: Fit and finish the frame and grate to provide a firm and even seat. No projections are permitted on bearing areas, and the grate must seat in its frame without rocking.
WALLS: When used in place of concrete, construct brick side walls with 8" nominal thickness.
PRECAST CONSTRUCTION: Permitted, except for the grate, seat and "X" grate requirements. Provide precast walls at least 8" thick with sufficient reinforcing to permit shipping and placement without damage. Reduce the wall thickness from the outside.
MINIMUM DEPTH: The minimum depth is per the cover requirements for that pipe type.
OPENINGS: Ensure pipe openings are the O.D. of the pipe being supplied plus 2" when fabricated or field cut. Fill any voids per CMS 611.
DOWELS: Furnish four 1/2" diameter dowels for concrete pavement or gutter breakout. See SDO CB-2.2 for detail.
BLOCKOUTS: Pave blockouts with 4000 psi compressive strength concrete in PCC pavement or gutter. Blockouts are paid for as part of the pavement or gutter with no deduction in pavement or gutter quantities because of the castings. Cast 4000 psi compressive strength concrete over the side of the 2" curb gutter blockout. In place in asphalt pavement the dowels required with the cast included in the catch basin bid price. No deduction is made in curb quantities.
PAYMENT: All materials and labor, including excavation and backfilling, are paid for under Item 611 - Catch Basin, No. 3.

OFFICE OF HYDRAULICS AND ENVIRONMENTAL ENGINEERING
 M. COZZOLI
 CATCH BASIN No. 3
 CB-2.1
 2/2

NORTH
 SW SE
 VERTICAL SCALE
 0 100 200
 HORIZONTAL SCALE IN FEET
 0 100 200
 CHECKED BY: KAD
 DATE: June, 2020
 DRAWN BY: BMH
 DATE: June, 2020

DATE	DESCRIPTION

Meadows of Wintergreen Phase 3
 Drainage Details
 Springfield Township
 Summit County, Ohio

CIVIPRO
 ENGINEERING
 BUSINESS-SURVEYORS-CONSTRUCTION MANAGERS
 10000 W. STATE ST. SUITE 300
 COLUMBUS, OHIO 43240
 PHONE: (614) 401-3613 FAX: (614) 401-3614
 WWW.CIVIPROENGINEERING.COM

DRAWING NAME:
 REF NUMBER:
 19 / 29