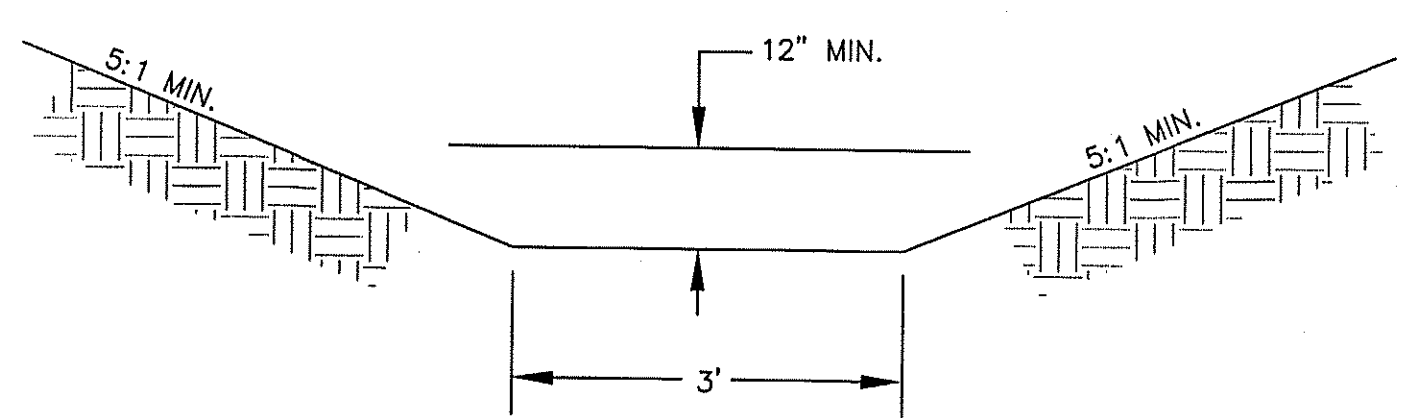


GRADING PLAN
SCALE: 1" = 40'

← 100 YEAR FLOW PATH



100 - YR. SWALE DETAIL & SIDE/REAR YARD SWALE DETAIL
N.T.S. SWALE SEE STORMWATER MANAGEMENT REPORT FOR DESIGN CALCS

| | | | | |
|--|-------|--|----------|----------|
| KIDS TABER, LLC LIONS PARK ALLOTMENT & CONDOMINIUMS MARION AVE, SPRINGFIELD TOWNSHIP, OHIO | SCALE | DRAWN | DATE | REVISION |
| | HOR: | CHECKED: | | |
| | VER: | DATE: | 04-24-15 | |
| GRADING PLAN | | SPAGNUOLO & ASSOCIATES, LLC 3057 WEST MARKET STREET, SUITE 201 • FAIRLAWN, OH 44333 PHONE: (330) 836-6661 • FAX: (330) 836-6661 EMAIL: dstoffler@spagnuoloassoc.com | | |
| 30 | | 29 | | |