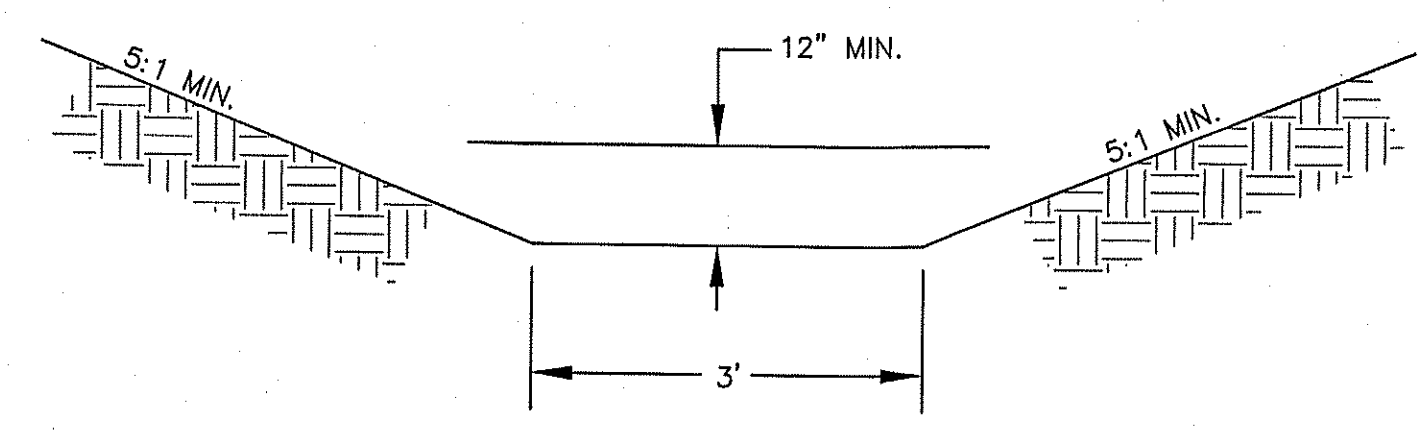


GRADING PLAN
 SCALE: 1" = 40'

NOTES:
 1. SEE DETAILS 1/22a AND 3/22a FOR CATCH BASINS 19 AND 20.

← 100 YEAR FLOW PATH

- 25' SANITARY SEWER EASEMENT
- ROCK SLOPE PROTECTION
SEE PLANS FOR TYPE & DEPTH
- PRIVATE DRAINAGE EASEMENTS
- 20' DETENTION EASEMENT
- 20' PRIVATE STORM SEWER EASEMENT
- 20' PUBLIC STORM SEWER EASEMENT



100 - YR. SWALE DETAIL & SIDE/REAR YARD SWALE DETAIL
 N.T.S. SWALE SEE STORMWATER MANAGEMENT REPORT FOR DESIGN CALCS

NOTE:
 1. THE 100-YEAR FLOW PATH FROM THE ANGIS DRIVE CUL-DE-SAC TO THE DETENTION BASIN IS THE 24" STORM SEWER.

REVISION	DATE			
DRAWN: -	CHECKED: -	DATE: 04-24-15		
SCALE	HOR:	VER:		
KIDS JABER, LLC LIONS PARK ALLOTMENT & CONDOMINIUMS MARTIN AVE, SPRINGFIELD TOWNSHIP, OHIO				
GRADING PLAN				
SPAGNUOLO & ASSOCIATES, LLC 3057 WEST MARKET STREET, SUITE 201 • FAIRBANK, OH 44333 PHONE: (330) 836-6661 • FAX: (330) 836-6661 EMAIL: dscoffer@spagnuoloassoc.com				
3a				29