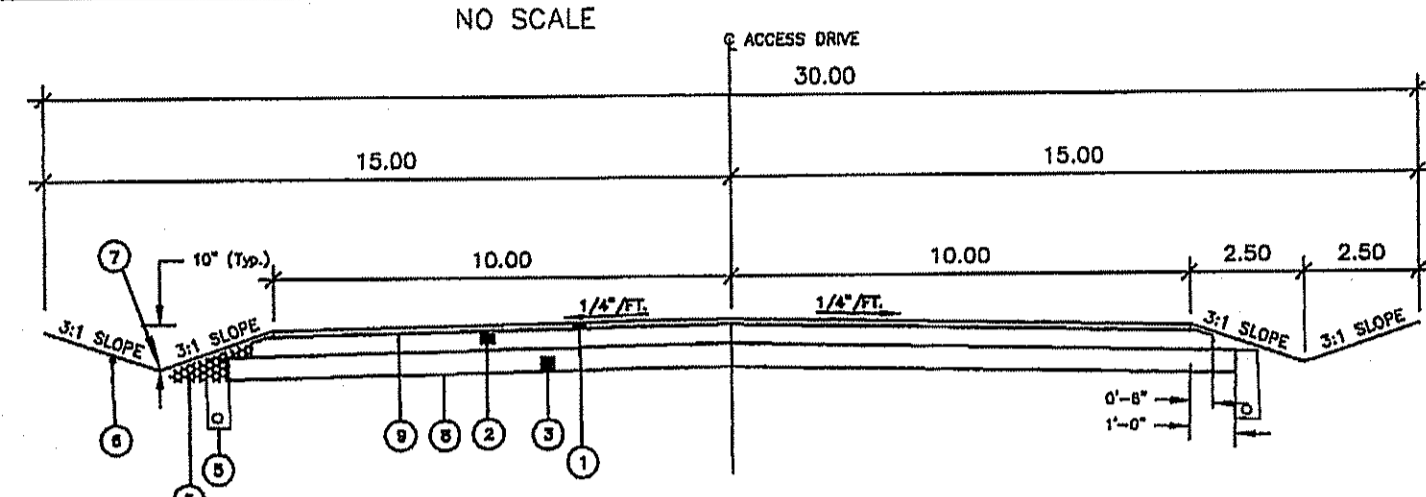
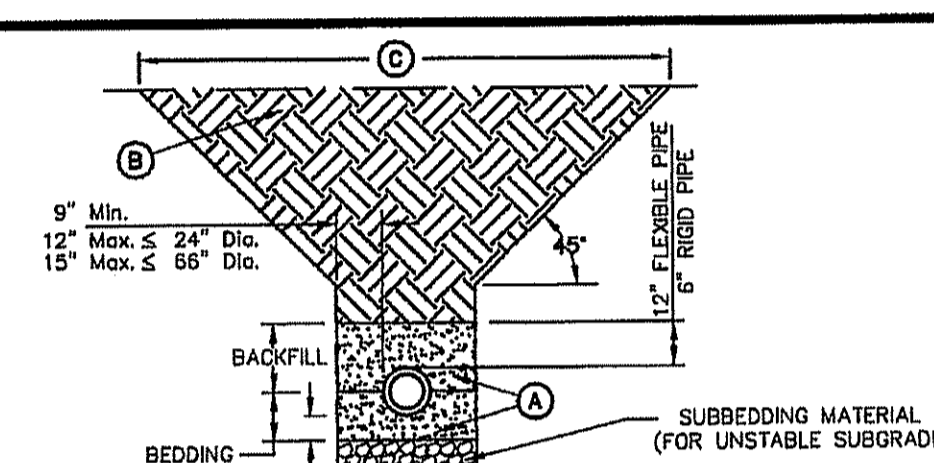


TYPICAL PUBLIC ROADWAY SECTION - LIONS PARK DRIVE
NO SCALE



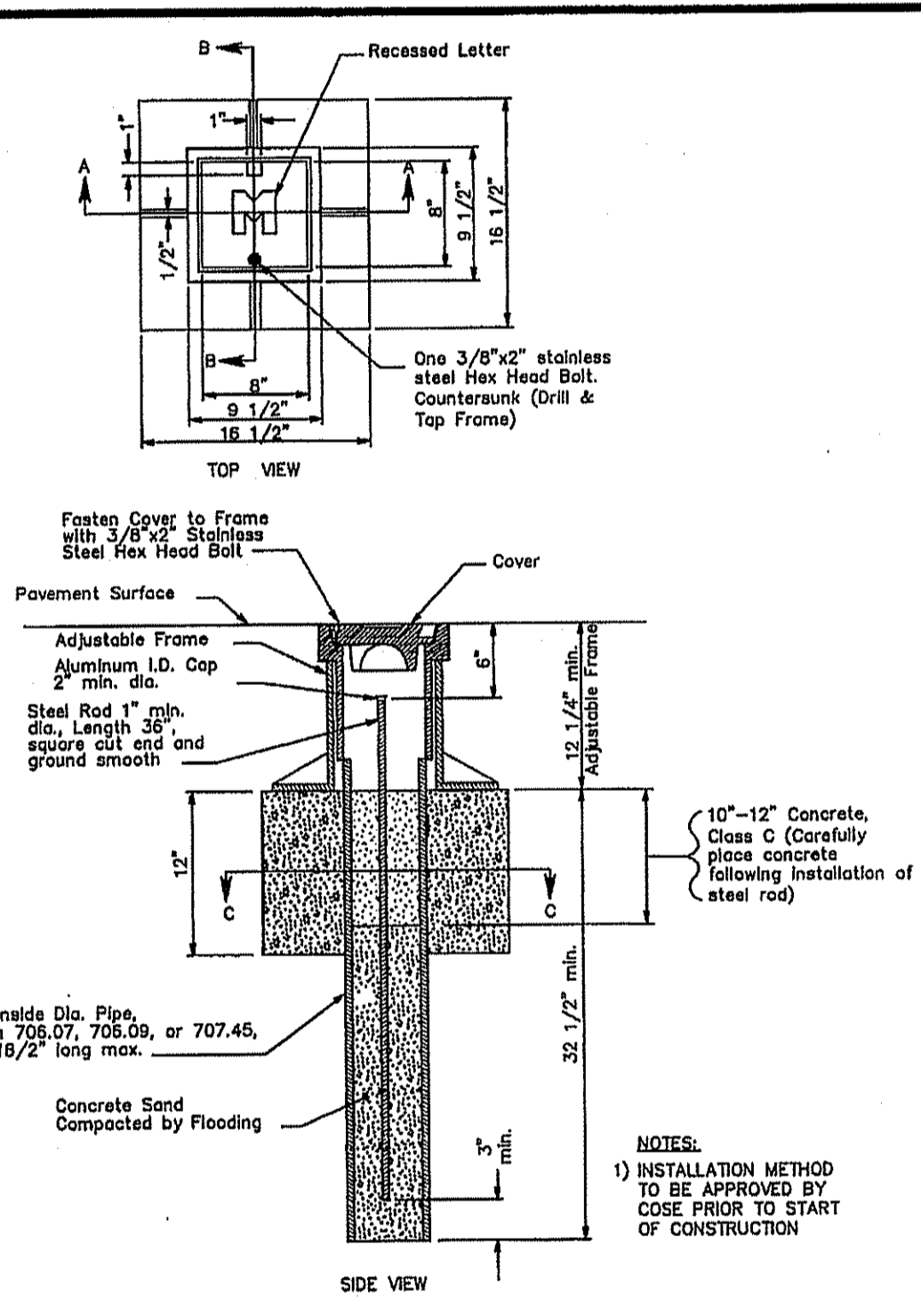
TYPICAL ACCESS ROADWAY SECTION
NO SCALE

- LEGEND**
- ① ODOT ITEM 448 - 1-1/2" ASPHALT CONCRETE SURFACE COURSE, TYPE 1, PG 64-22
 - ② ODOT ITEM 301 - 5" ASPHALT CONCRETE BASE
 - ③ ODOT ITEM 304 - 6" AGGREGATE BASE, 703.17
 - ④ ODOT ITEM 608 - 2" CONCRETE CURB AND GUTTER (SEE DETAIL ON SHEET 24/29)
 - ⑤ ODOT ITEM 605 - 4" DIA. PERFORATED UNDERDRAIN WITH GRANULAR FILTER AGGREGATE No. 8 & 9 (SEE DETAIL ON SHEET 25/29)
 - ⑥ ODOT ITEM 653 - 4" TOPSOIL
 - ⑦ ODOT ITEM 659 - SEEDING AND MULCHING CLASS 1
 - ⑧ ODOT ITEM 204 - SUBGRADE COMPACTION & PROOF ROLLING
 - ⑨ ODOT ITEM 407 - TACK COAT
 - ⑩ ODOT ITEM 608 - CONCRETE SIDEWALK, 4" THICK (6" AT DRIVEWAYS)

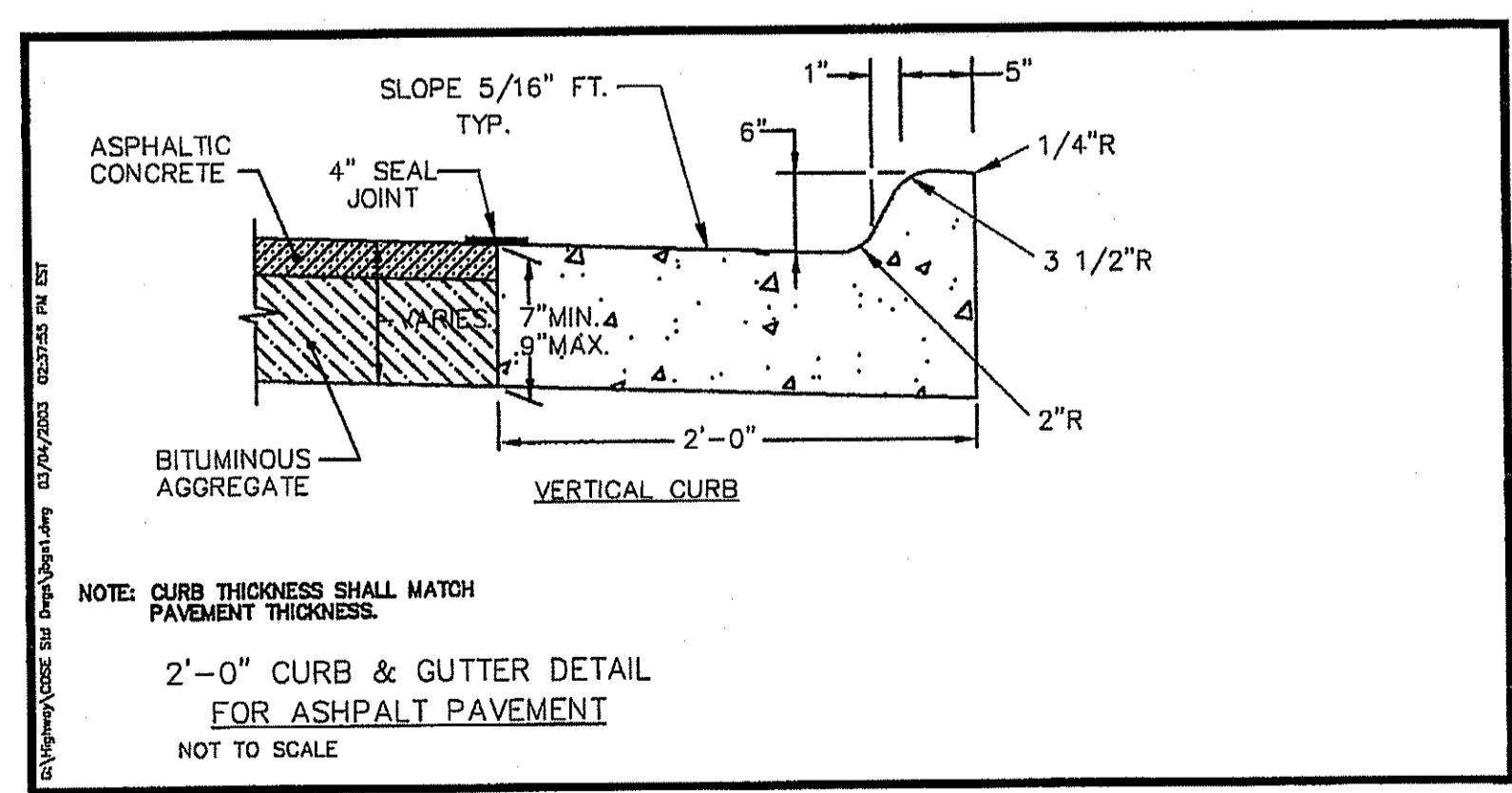


- NOTE:**
- (a) CRUSHED STONE AGGREGATE No. 67, THOROUGHLY COMPACTED (NO SLAG) INSTALLED PER ASTM D-2922 CLASS 1.
 - (b) TRENCH BACKFILL: INSTALLATION UNDER PAVEMENT AND/OR WITHIN A 45-DEGREE INFLUENCE LINE FROM THE PAVEMENT EDGE SHALL BE INSTALLED IN ACCORDANCE WITH O.D.O.T. ITEM 304 BACKFILL SLAG MATERIAL AND RECYCLED CONCRETE IS NOT ACCEPTABLE. ADDITIONAL TESTS MAY BE REQUIRED ON THE TYPE 304 BACKFILL TO BE USED TO INSURE IT MEETS ODOT SPEC. 703.17. THE COUNTY ENGINEER MAY CONSIDER USE OF OTHER MATERIALS UNDER SPECIAL CONDITIONS. A WRITTEN REQUEST, INCLUDING EVIDENCE THAT THE REPLACEMENT MATERIAL WILL BE SUITABLE FOR BACKFILL MUST BE SUBMITTED FOR REVIEW PRIOR TO ANY APPROVAL BEING ISSUED. REQUIREMENT FOR REPLACEMENT MATERIAL COMPACTOR REQUIREMENTS ARE AS FOLLOWS:
 - (1) UNDER PROPOSED PAVEMENT - BACKFILLING OF TRENCHES AND FILL MUST BE COMPACTED TO A MINIMUM OF 98% OF THE MATERIAL'S STANDARD PROCTOR MAXIMUM DRY DENSITY WITH THE MATERIAL'S MOISTURE CONTENT ADJUSTED TO WITHIN +1-2% OF THE OPTIMUM PRIOR TO COMPACTION.
 - (2) NOT UNDER PROPOSED PAVEMENT BUT WITHIN A 45 DEGREE INFLUENCE FROM THE EDGE OF PAVEMENT - BACKFILL OF FILL MATERIAL MUST BE COMPACTED TO AT LEAST 95% OF THE MATERIAL'S STANDARD PROCTOR MAXIMUM DRY DENSITY WITH THE MATERIAL'S MOISTURE CONTENT ADJUSTED TO WITHIN +1-2% OF THE OPTIMUM PRIOR TO COMPACTION.
 - (3) WITHIN THE R/W BUT NOT UNDER PAVEMENT OR WITHIN THE 45 DEGREE INFLUENCE LINE - BACKFILL OR FILL MATERIAL MUST BE COMPACTED TO AT LEAST 95% OF THE MATERIAL'S STANDARD PROCTOR MAXIMUM DRY DENSITY WITH THE MATERIAL'S MOISTURE CONTENT ADJUSTED TO WITHIN +1-2% OF THE OPTIMUM PRIOR TO COMPACTION.
 - (4) IN DEPTH OVER 8 FEET AND WHEN COMPACTING WITH A HOE-PAC OR EQUAL HYDRAULIC COMPACTOR, A CONTRACTOR MAY INSTALL THE FIRST LIFT UP TO 3 FEET IN DEPTH BEFORE COMPACTING. SUBSEQUENT LIFTS SHALL BE COMPACTED AS PER THE ABOVE. ADDITIONALLY, ODOT ITEM 603.09 MUST BE ADHERED TO, IF ANY CONFLICTING COMPACTOR REQUIREMENTS ARE FOUND TO EXIST BETWEEN THOSE INDICATED ABOVE AND ODOT SPECIFICATIONS, THE HIGHER COMPACTOR PERCENTAGE SHALL GOVERN.
- THESE REQUIREMENTS ARE TO BE FOLLOWED REGARDLESS OF THE MATERIAL USED TO BACKFILL OR FILL. THESE REQUIREMENTS PERTAIN TO INSTALLATION OF ALL UTILITIES, NOT JUST THE STORM SEWER AND SANITARY SEWER.

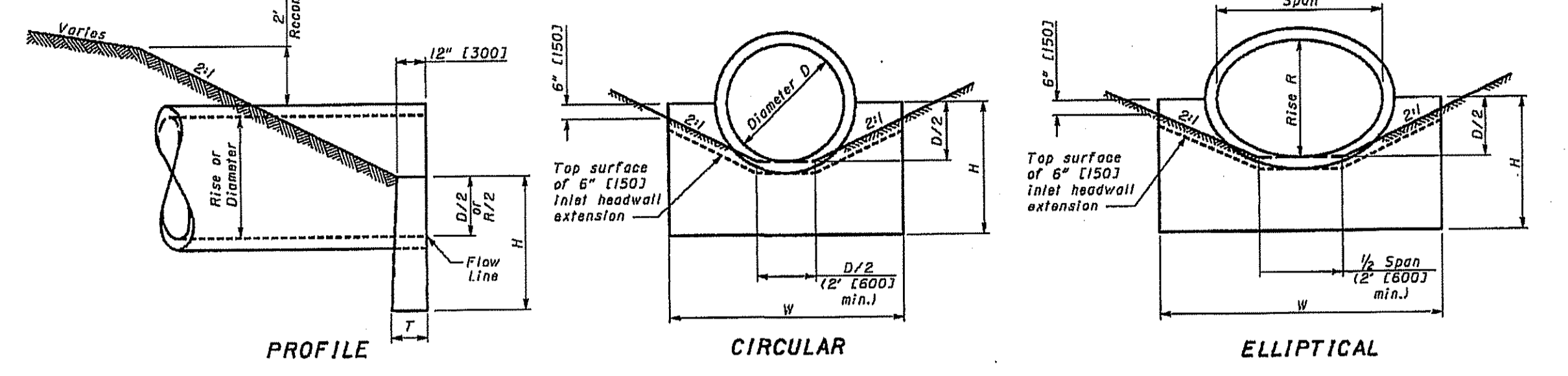
UTILITY OR UTILITY CONNECTION
TRENCH DETAIL
NOT TO SCALE



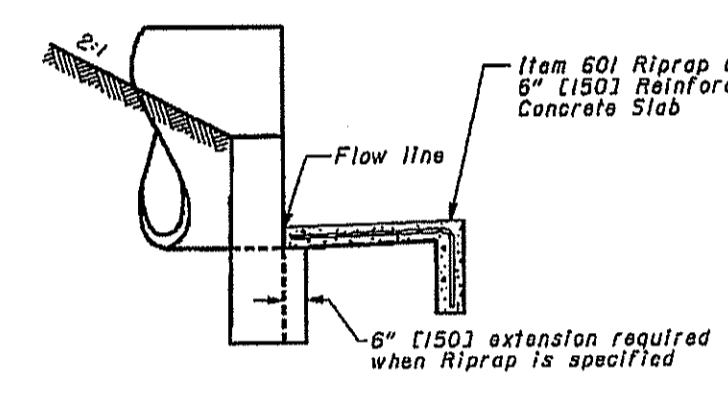
COSE ADJUSTABLE MONUMENT BOX DETAIL ODOT RM-1.1
NOT TO SCALE



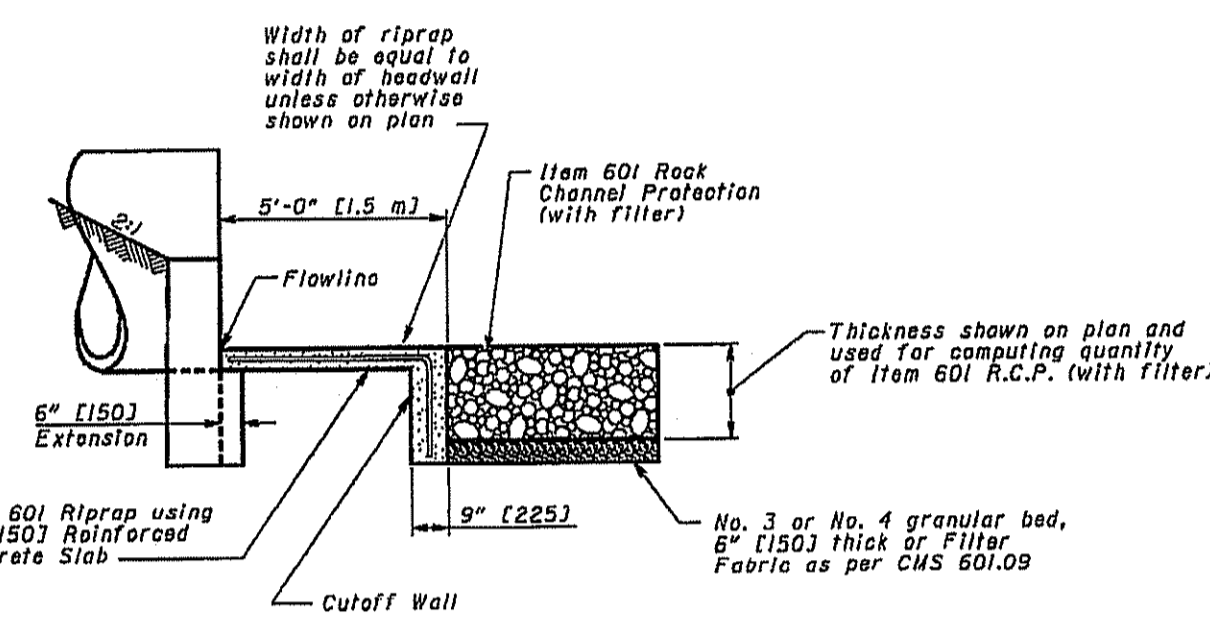
2'-0" CURB & GUTTER DETAIL FOR ASPHALT PAVEMENT
NOT TO SCALE



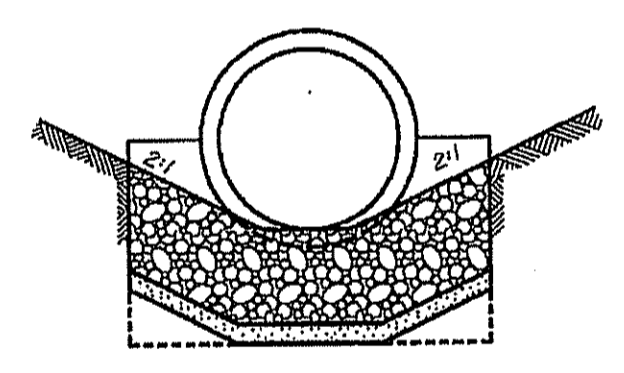
CONCRETE PIPE



INLET CHANNEL PROTECTION DETAIL



OUTLET CHANNEL PROTECTION DETAIL



Width of riprap and rock channel protection shall be equal to the width of headwall unless otherwise shown on the plans. (Minimum width 4'-0" (1.2 m).)

NOTES

- GENERAL:** If the pipe is depressed, a riprap reinforced concrete slab shall slope up to the channel bottom at a slope of 6 to 1 below the depression depth. Payment for the slab shall be made per square yard of Item 601 Riprap using 6" Reinforced Concrete Slab and shall include the cost of the cutoff wall, reinforcing for the 6" reinforced concrete slab and cutoff wall shall be as shown on Standard Hydraulic Construction Drawing CB-3.1.
- CONCRETE:** Concrete for headwalls shall be Class C. Concrete quantities are based on headwalls without the 6" (150) extension under the channel protection.

HEADWALL FOR CONCRETE PIPE (English)

CIRCULAR				ELLIPTICAL			
D	W	H	T	Span	Rise	W	H
12"	2'-0"	3'-0"	12"	0.20	23"	14"	3'-0"
15"	2'-6"	3'-2"	12"	0.25	30"	18"	3'-4"
18"	3'-0"	3'-3"	12"	0.31	34"	22"	3'-6"
21"	3'-6"	3'-4"	12"	0.37	38"	26"	3'-8"
24"	4'-0"	3'-5"	12"	0.43	42"	30"	3'-8"
27"	4'-6"	3'-6"	12"	0.49	45"	34"	3'-8"
30"	5'-0"	3'-9"	12"	0.56	48"	38"	3'-10"
33"	5'-6"	3'-10"	12"	0.62	53"	42"	4'-0"
36"	6'-0"	4'-0"	12"	0.69	58"	46"	4'-0"
39"	6'-6"	4'-2"	12"	0.77	63"	50"	4'-2"
42"	7'-0"	4'-3"	12"	0.84	68"	54"	4'-2"
45"	7'-6"	4'-4"	12"	0.91	73"	58"	4'-2"
48"	8'-0"	4'-6"	12"	1.00	78"	62"	4'-4"
51"	8'-6"	4'-7"	12"	1.08	83"	66"	4'-4"
54"	9'-0"	4'-9"	12"	1.17	88"	70"	4'-4"
57"	9'-6"	5'-0"	12"	1.26	93"	74"	4'-6"
60"	10'-0"	5'-1"	12"	1.35	98"	78"	4'-6"
63"	10'-6"	5'-2"	12"	1.45	103"	82"	4'-6"
66"	11'-0"	5'-3"	12"	1.55	108"	86"	4'-6"
69"	11'-6"	5'-4"	12"	1.65	113"	90"	4'-6"
72"	12'-0"	5'-6"	12"	1.76	118"	94"	4'-6"
75"	12'-6"	5'-7"	12"	1.87	123"	98"	4'-6"
78"	13'-0"	5'-8"	12"	1.98	128"	102"	4'-6"
81"	13'-6"	5'-9"	12"	2.09	133"	106"	4'-6"
84"	14'-0"	6'-0"	12"	2.21	138"	110"	4'-6"
87"	14'-6"	6'-1"	12"	2.32	143"	114"	4'-6"
90"	15'-0"	6'-2"	12"	2.44	148"	118"	4'-6"
93"	15'-6"	6'-3"	12"	2.56	153"	122"	4'-6"
96"	16'-0"	6'-4"	12"	2.68	158"	126"	4'-6"
99"	16'-6"	6'-5"	12"	2.81	163"	130"	4'-6"
102"	17'-0"	6'-6"	12"	2.94	168"	134"	4'-6"
105"	17'-6"	6'-7"	12"	3.07	173"	138"	4'-6"
108"	18'-0"	6'-8"	12"	3.21	178"	142"	4'-6"
111"	18'-6"	6'-9"	12"	3.35	183"	146"	4'-6"
114"	19'-0"	6'-10"	12"	3.49	188"	150"	4'-6"
117"	19'-6"	6'-11"	12"	3.64	193"	154"	4'-6"
120"	20'-0"	7'-0"	12"	3.79	198"	158"	4'-6"
123"	20'-6"	7'-1"	12"	3.94	203"	162"	4'-6"
126"	21'-0"	7'-2"	12"	4.10	208"	166"	4'-6"
129"	21'-6"	7'-3"	12"	4.26	213"	170"	4'-6"
132"	22'-0"	7'-4"	12"	4.42	218"	174"	4'-6"
135"	22'-6"	7'-5"	12"	4.59	223"	178"	4'-6"
138"	23'-0"	7'-6"	12"	4.76	228"	182"	4'-6"
141"	23'-6"	7'-7"	12"	4.93	233"	186"	4'-6"
144"	24'-0"	7'-8"	12"	5.11	238"	190"	4'-6"

HEADWALL FOR CONCRETE PIPE (Metric)

CIRCULAR				ELLIPTICAL			
D	W	H	T	Span	Rise	W	H
300	600	925	300	0.15	575	355	925
375	750	975	300	0.19	770	490	1025
450	900	1000	300	0.24	865	550	1050
525	1050	1025	300	0.28	960	610	1075
600	1200	1075	300	0.33	1055	670	1075
675	1350	1125	300	0.37	1150	730	1075
750	1500	1150	300	0.43	1250	795	1075
825	1650	1175	300	0.47	1345	855	1025
900	1800	1225	300	0.53	1445	925	975
975	1950	1250	300	0.59	1545	995	925
1050	2100	1300	300	0.64	1645	1065	875
1125	2250	1325	300	0.70	1745	1135	825
1200	2400	1375	300	0.76	1845	1205	775
1275	2550	1400	300	0.82	1945	1275	725
1350	2700	1425	300	0.88	2045	1345	675
1425	2850	1475	300	0.94	2145	1415	625
1500	3000	1500	300	1.00	2245	1485	575
1575	3150	1525	300	1.06	2345	1555	525
1650	3300	1550	300	1.12	2445	1625	475
1725	3450	1575	300	1.18	2545	1695	425
1800	3600	1600	300	1.24	2645	1765	375
1875	3750	1625	300	1.30	2745	1835	325
1950	3900	1650	300	1.36	2845	1905	275
2025	4050	1675	300	1.42	2945	1975	225
2100	4200	1700	300	1.48	3045	2045	175
2175	4350	1725	300	1.54	3145	2115	125
2250	4500	1750	300	1.60	3245	2185	75
2325	4650	1775	300	1.66	3345	2255	25
2400	4800	1800	300	1.72	3445	2325	-
2475	4950	1825	300	1.78	3545	2395	-
2550	5100	1850	300	1.84	3645	2465	-
2625	5250	1875	300	1.90	3745	2535	-
2700	5400	1900	300	1.96	3845	2605	-
2775	5550	1925	300	2.02	3945	2675	-
2850	5700	1950	300	2.08	4045	2745	-
2925	5850	1975	300	2.14	4145	2815	-
3000	6000	2000	300	2.20	4245	2885	-
3075	6150	2025	300	2.26	4345	2955	-
3150	6300	2050	300	2.32	4445	3025	-
3225	6450	2075	300	2.38	4545	3095	-
3300	6600	2100	300	2.44	4645	3165	-
3375	6750	2125	300	2.50	4745	3235	-
3450	6900	2150	300	2.56	4845	3305	-
3525	7050	2175	300	2.62	4945	3375	-
3600	7200	2200	300	2.68	5045	3445	-

REVISION
DATE
DRAWN
CHECKED
DATE

SCALE
AS NOTED

NUMBER
HW-2.2

KIDS JABER, LLC
LIONS PARK ALLOTMENT & CONDUIT DETAILS
MARGOY AVE., SPRINGFIELD TOWNSHIP, OHIO

SUMMIT COUNTY
DETAILS & NOTES

SPAGNUOLO & ASSOCIATES, LLC
3057 WEST MARKET STREET, SUITE 201 • FAIRLAWN, OH 44333
PHONE: (330) 836-6661 • FAX: (330) 836-6115
EMAIL: dstoffer@spagnuoloassoc.com