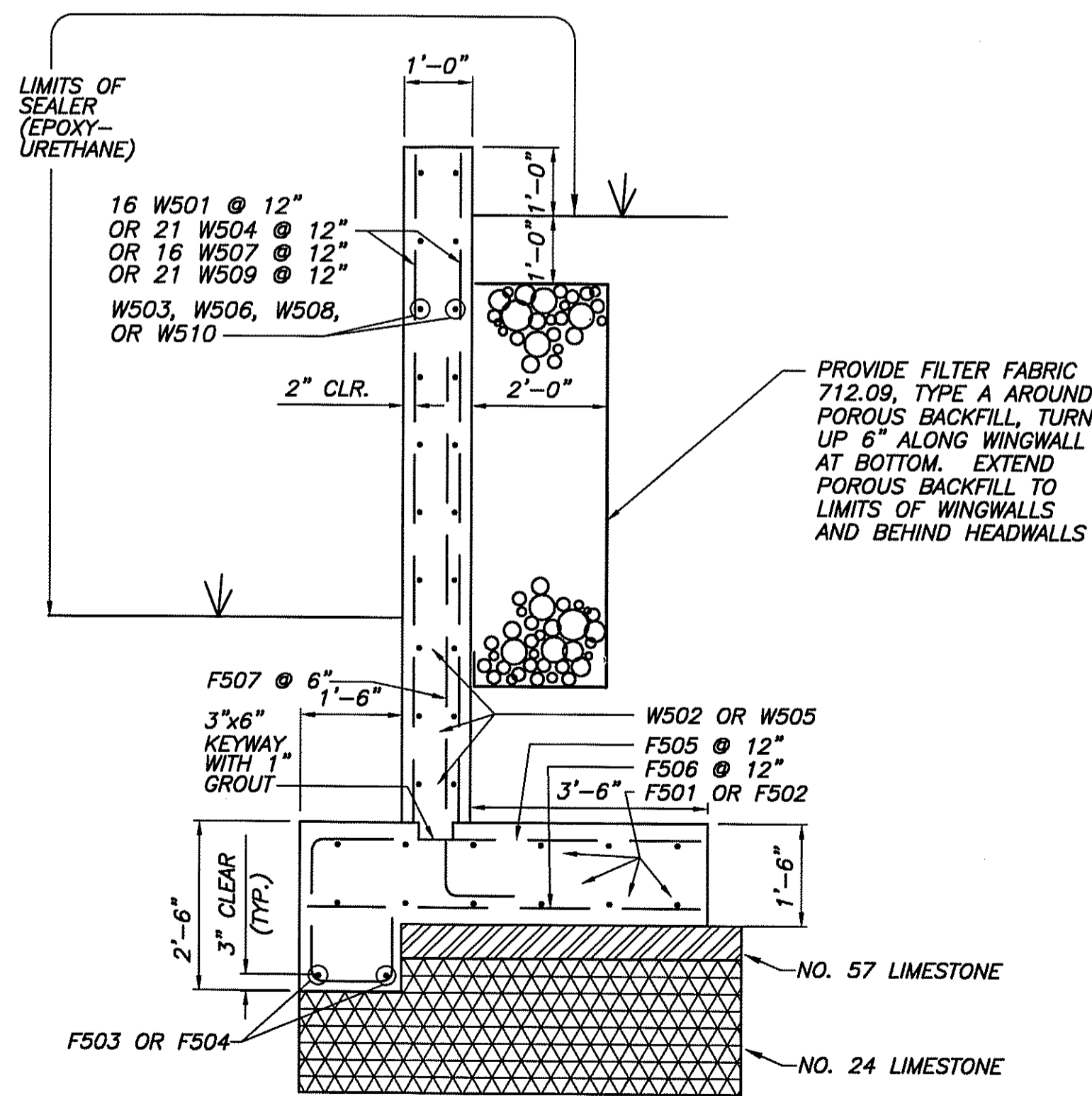
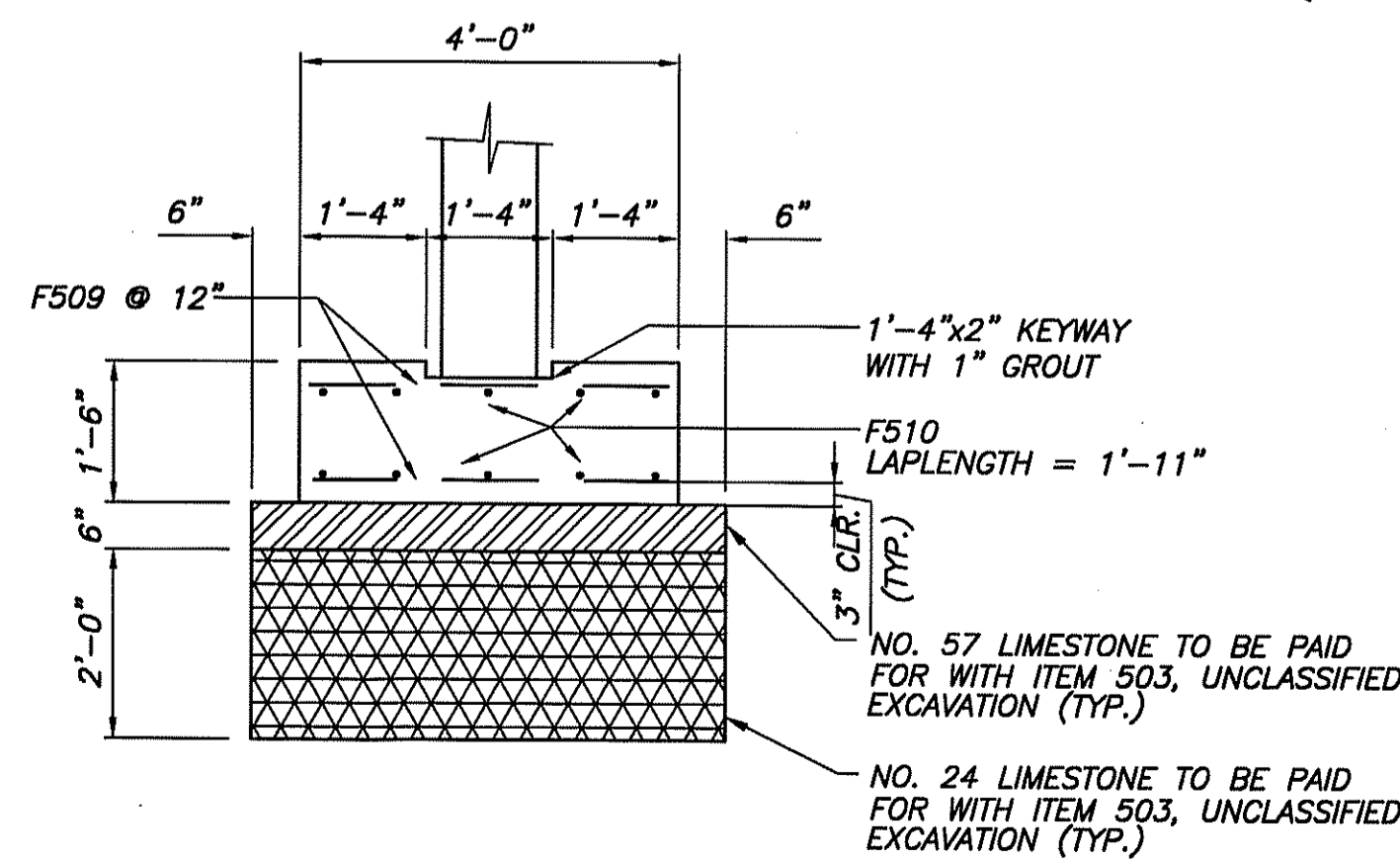


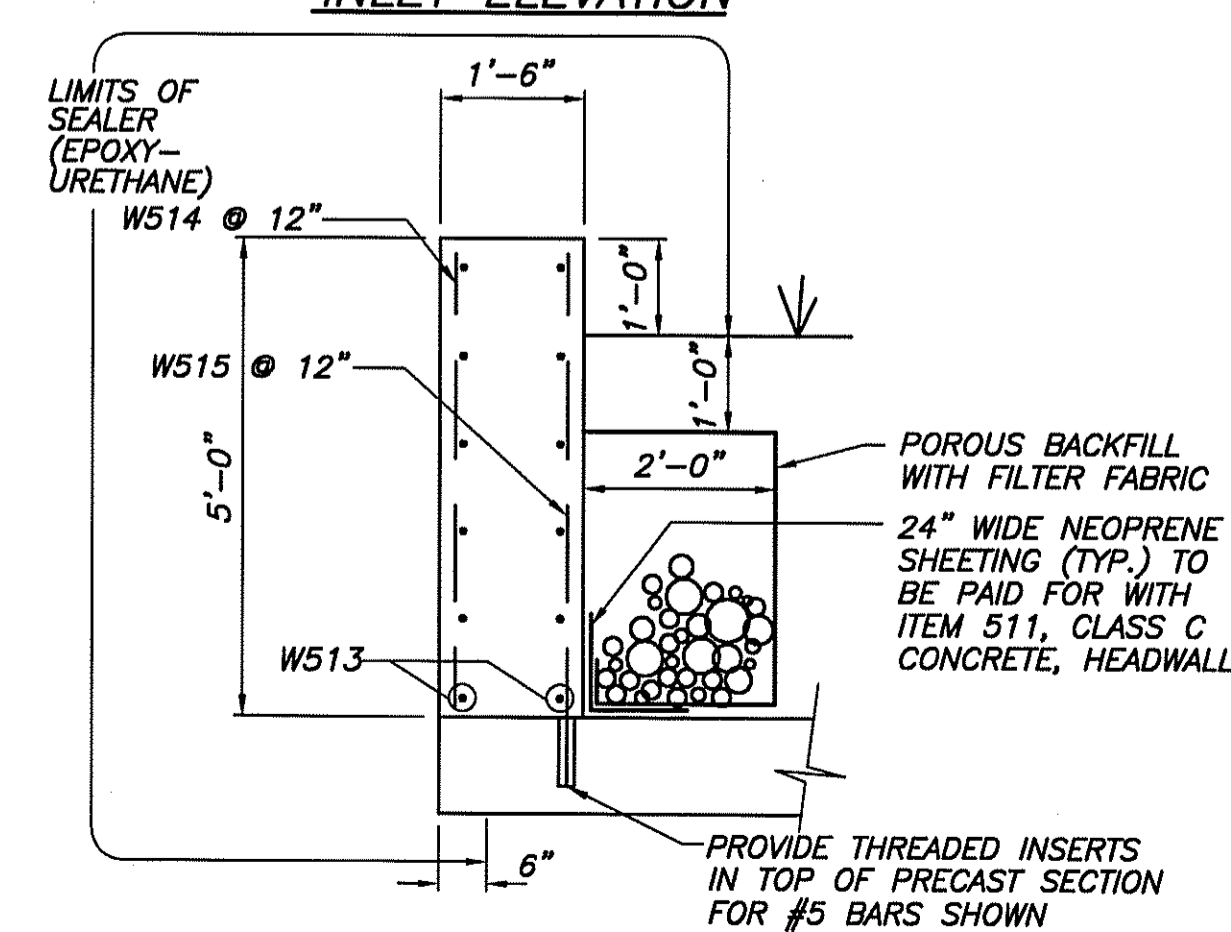
INLET/OUTLET FOOTING PLAN



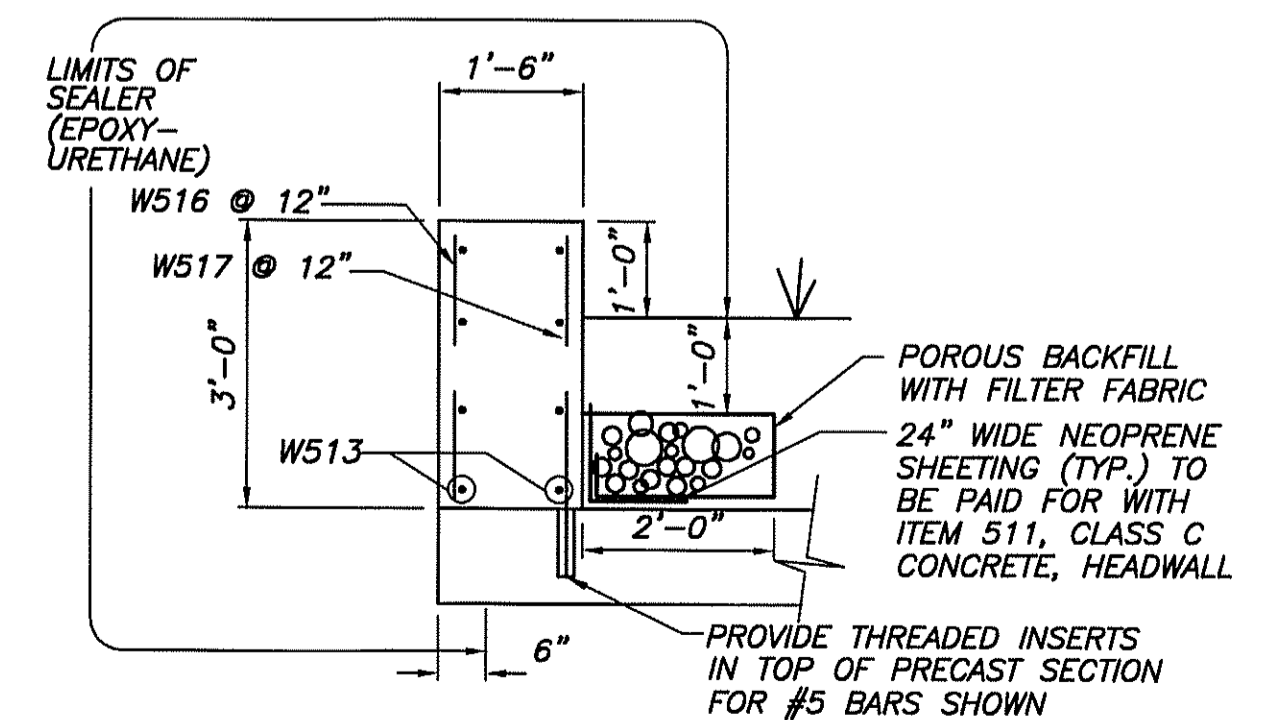
SECTION A-A



SECTION B-B

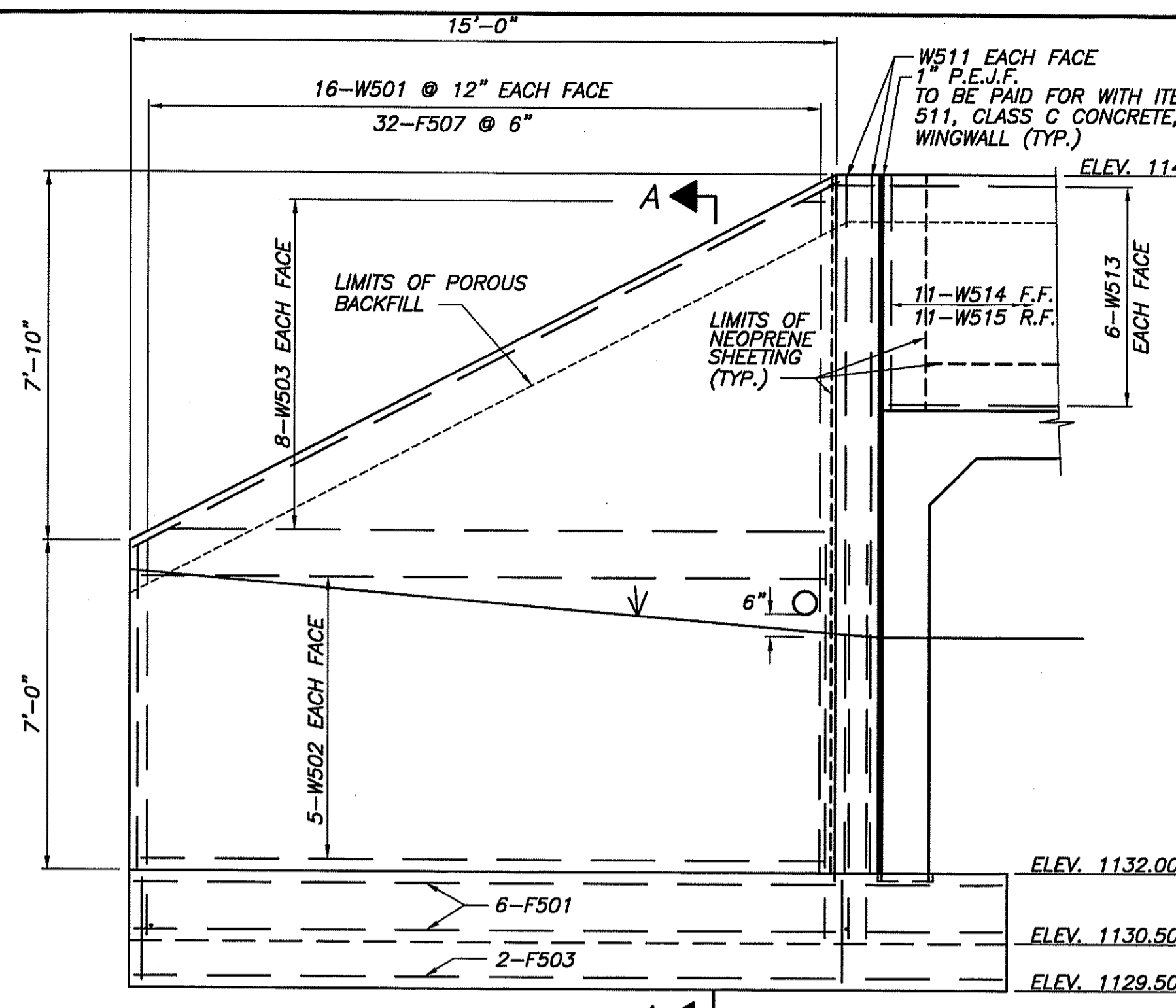


SECTION C-C

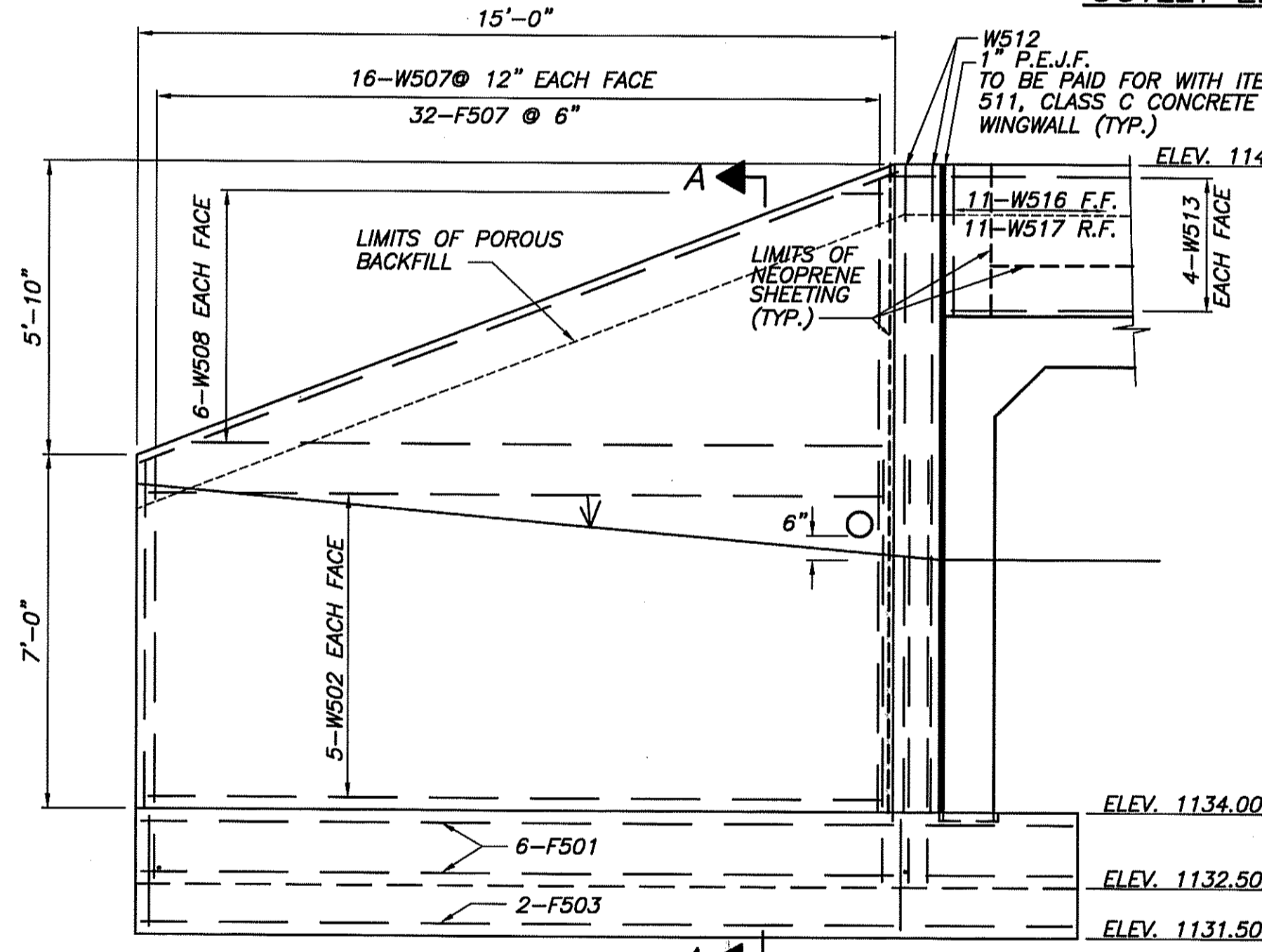


SECTION D-D

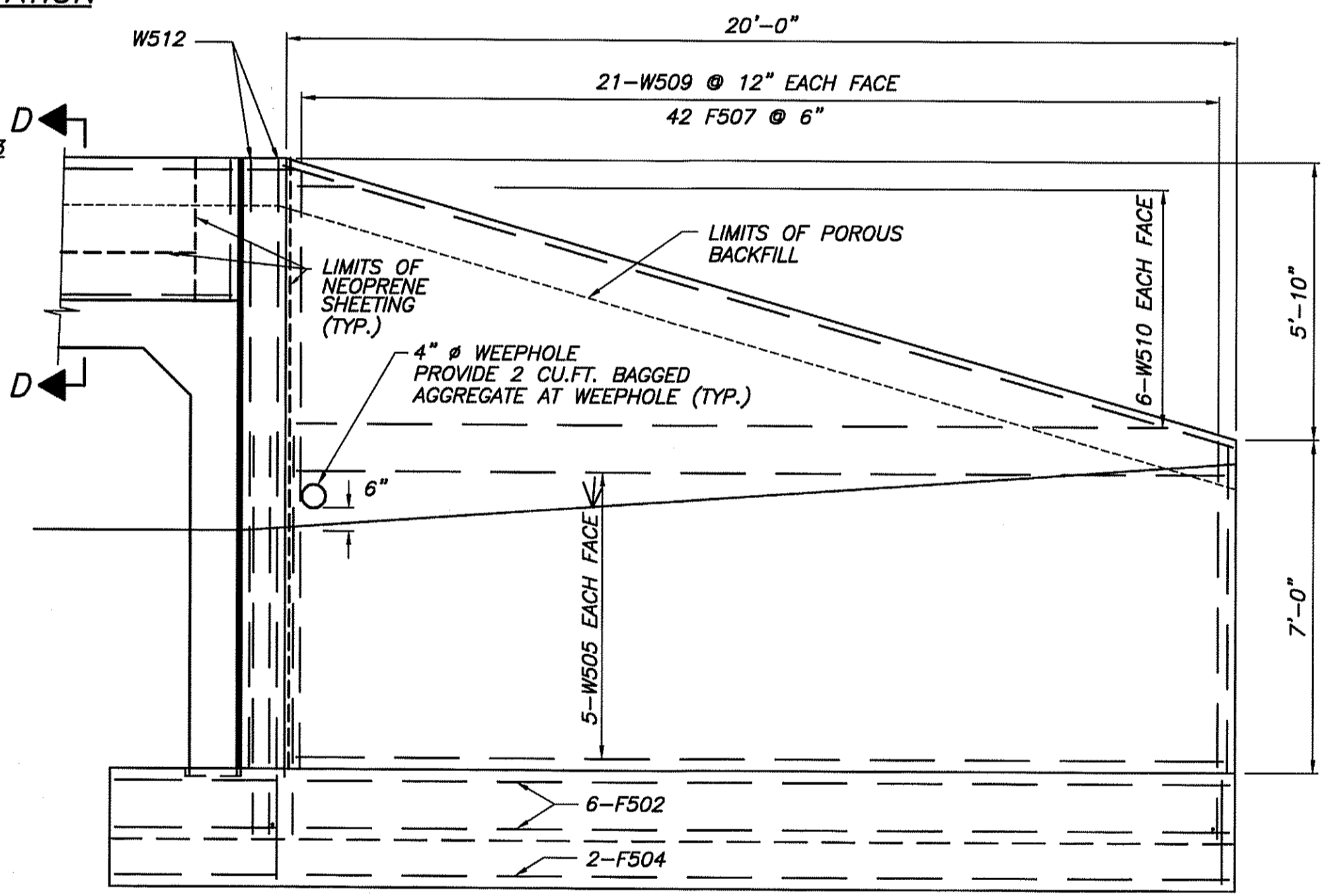
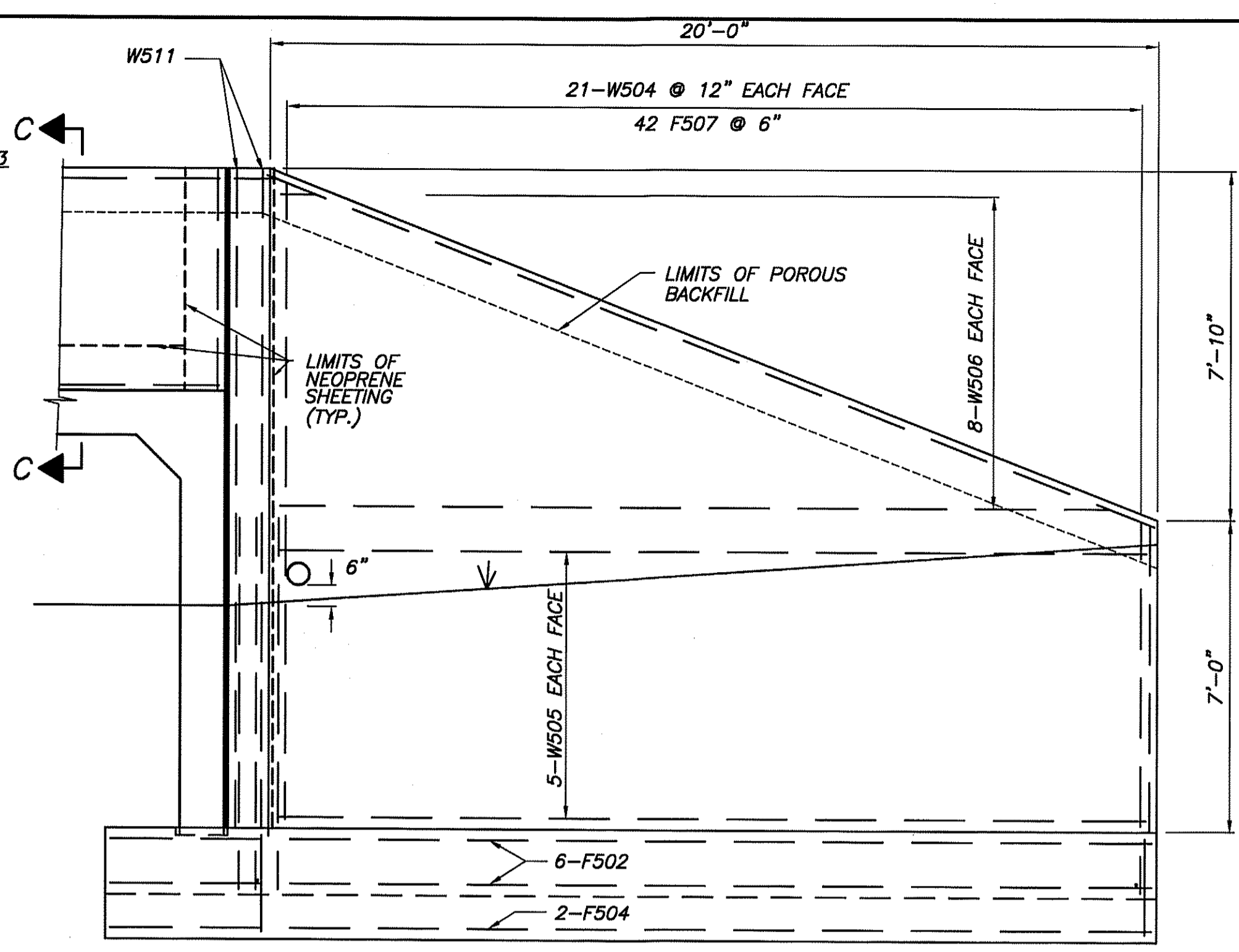
LEGEND
 F.F. - FRONT FACE
 R.F. - REAR FACE
 P.E.J.F. - PRE-FORMED EXPANSION JOINT FILLER



OUTLET ELEVATION



INLET ELEVATION



DESIGNED	MEF	CHECKED	KUO
DRAWN	MEF	REVIEWED	
DATE	5-9-05	STRUCTURE FILE NUMBER	
DESIGN AGENCY	HAMMOND & ASSOCIATES, LTD.		
ENGINEERS, PLANNERS, SURVEYORS	CANTON, PITTSBURGH, AARON		

LIONS PARK DEVELOPMENT
 LIONS PARK DRIVE CULVERT ENDWALL DETAILS
 OVER UNNAMED STREAM