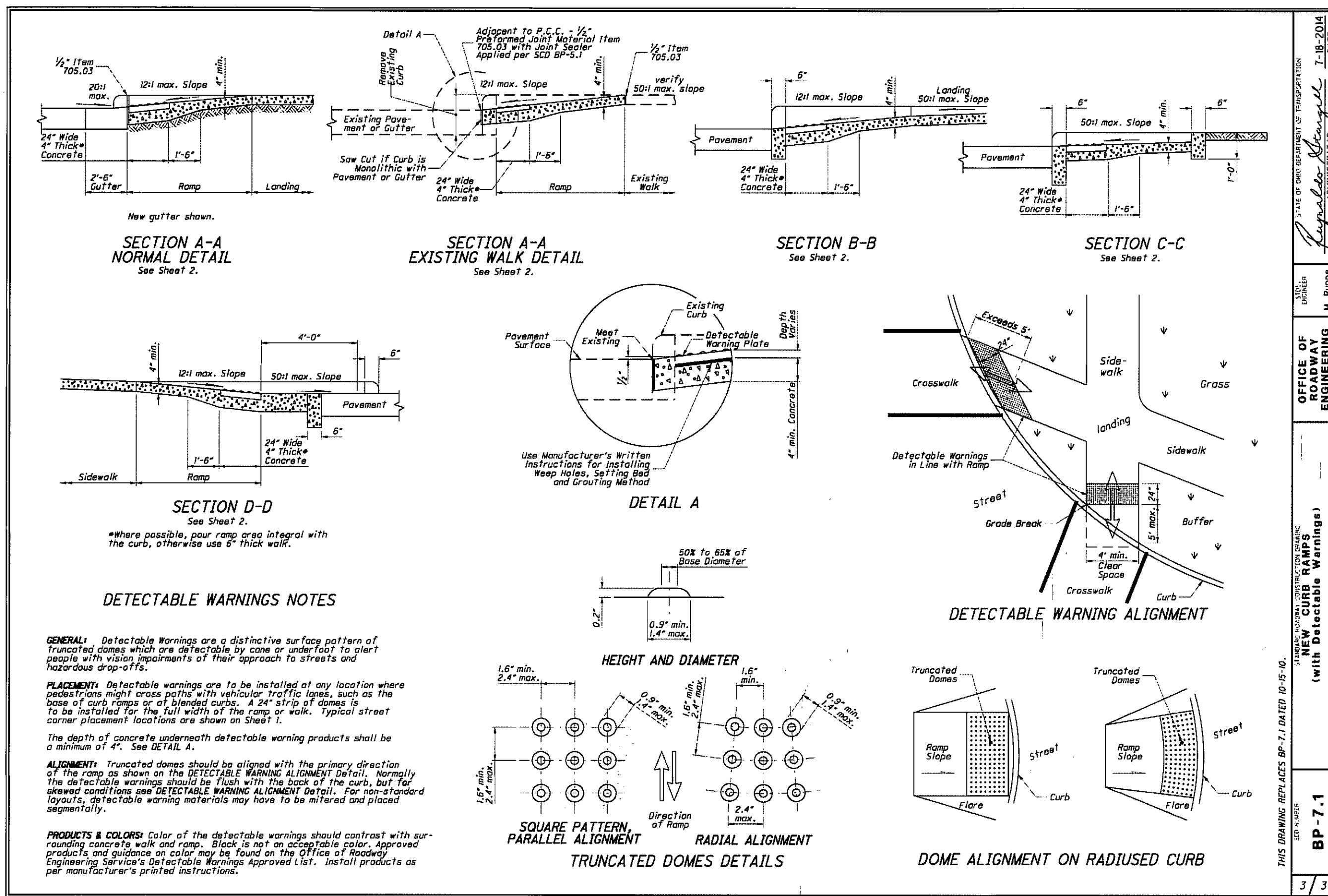
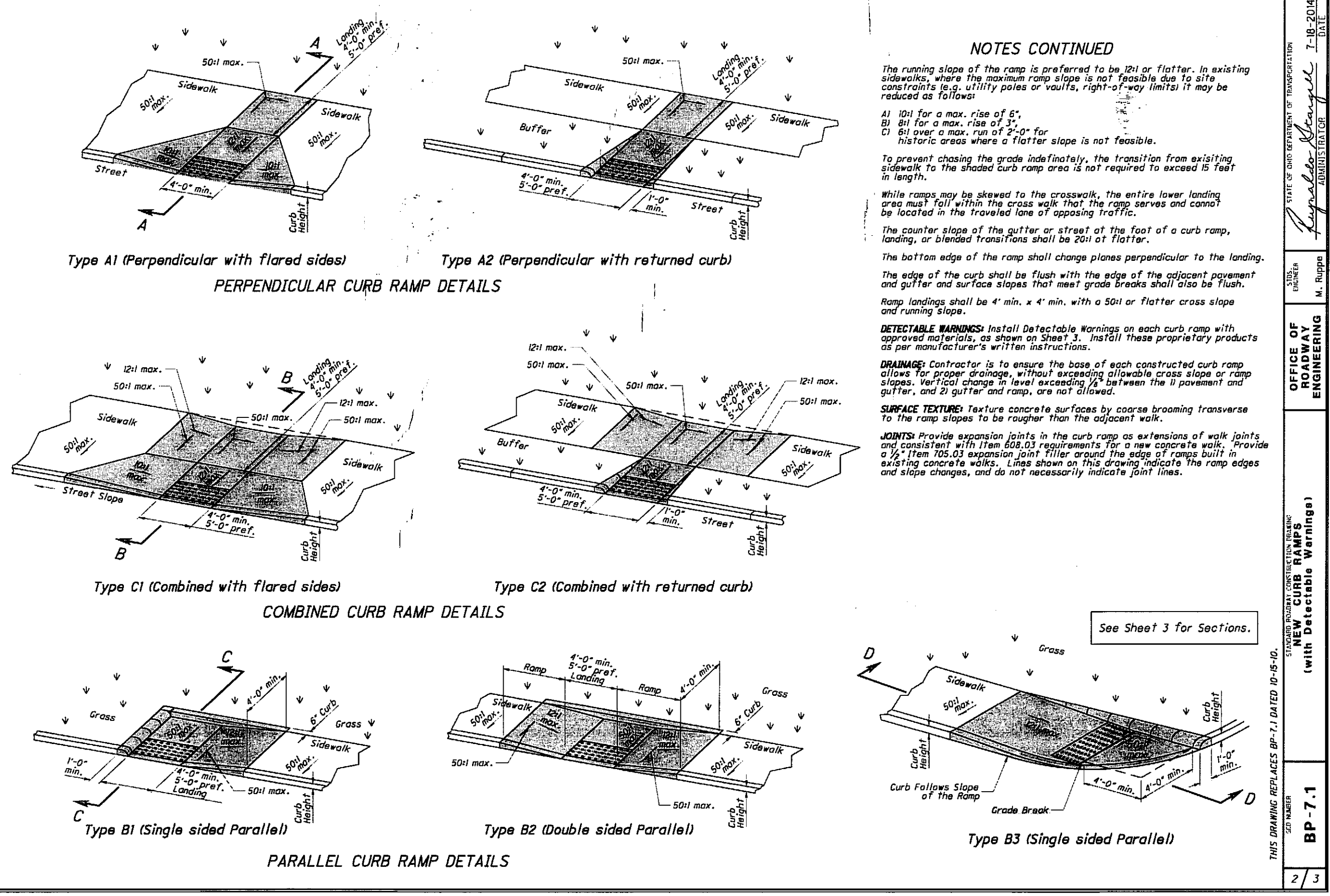


STATE OF OHIO DEPARTMENT OF TRANSPORTATION  
 OFFICE OF ROADWAY ENGINEERING  
 M. Ruppel  
 7-18-2014 DATE  
 2/3 SHEET NO.  
 THIS DRAWING REPLACES BP-7.1, DATED 01-05-10.  
 NEW CURB RAMPS (with Detectable Warnings)  
 BP-7.1  
 2/3



STATE OF OHIO DEPARTMENT OF TRANSPORTATION  
 OFFICE OF ROADWAY ENGINEERING  
 M. Ruppel  
 7-18-2014 DATE  
 3/3 SHEET NO.  
 THIS DRAWING REPLACES BP-7.1, DATED 01-05-10.  
 NEW CURB RAMPS (with Detectable Warnings)  
 BP-7.1  
 3/3



STATE OF OHIO DEPARTMENT OF TRANSPORTATION  
 OFFICE OF ROADWAY ENGINEERING  
 M. Ruppel  
 7-18-2014 DATE  
 2/3 SHEET NO.  
 THIS DRAWING REPLACES BP-7.1, DATED 01-05-10.  
 NEW CURB RAMPS (with Detectable Warnings)  
 BP-7.1  
 2/3

JOB NO	12269F	SCALE	AS NOTED
DRAWN BY	MJD	CHECKED BY	CJO
DWG NAME	12269C-det	DATE	SEPTEMBER, 2014

**HILLSIDE ESTATES - PHASE 4**  
**CURB RAMP DETAILS**  
 TOWNSHIP OF COPLEY, COUNTY OF SUMMIT, STATE OF OHIO

**NEFF & ASSOCIATES**  
 Civil Engineers • Landscape Architects • Planners • Surveyors  
 6405 York Road | Parma Heights, Ohio 44130  
 Tel: 440.884.3100 | Fax: 440.884.3104

REV NO	DATE	DESCRIPTION	BY
3	02/27/15	REV. PER COSE & SUMMIT SWCD	CJO
2	11/17/14	REV. PER COSE,DOES,AKRON WTR.	CJO
1	09/15/14	ORIGINAL SUBMITTAL	CJO

**SHEET NO.**  
**C7.6**