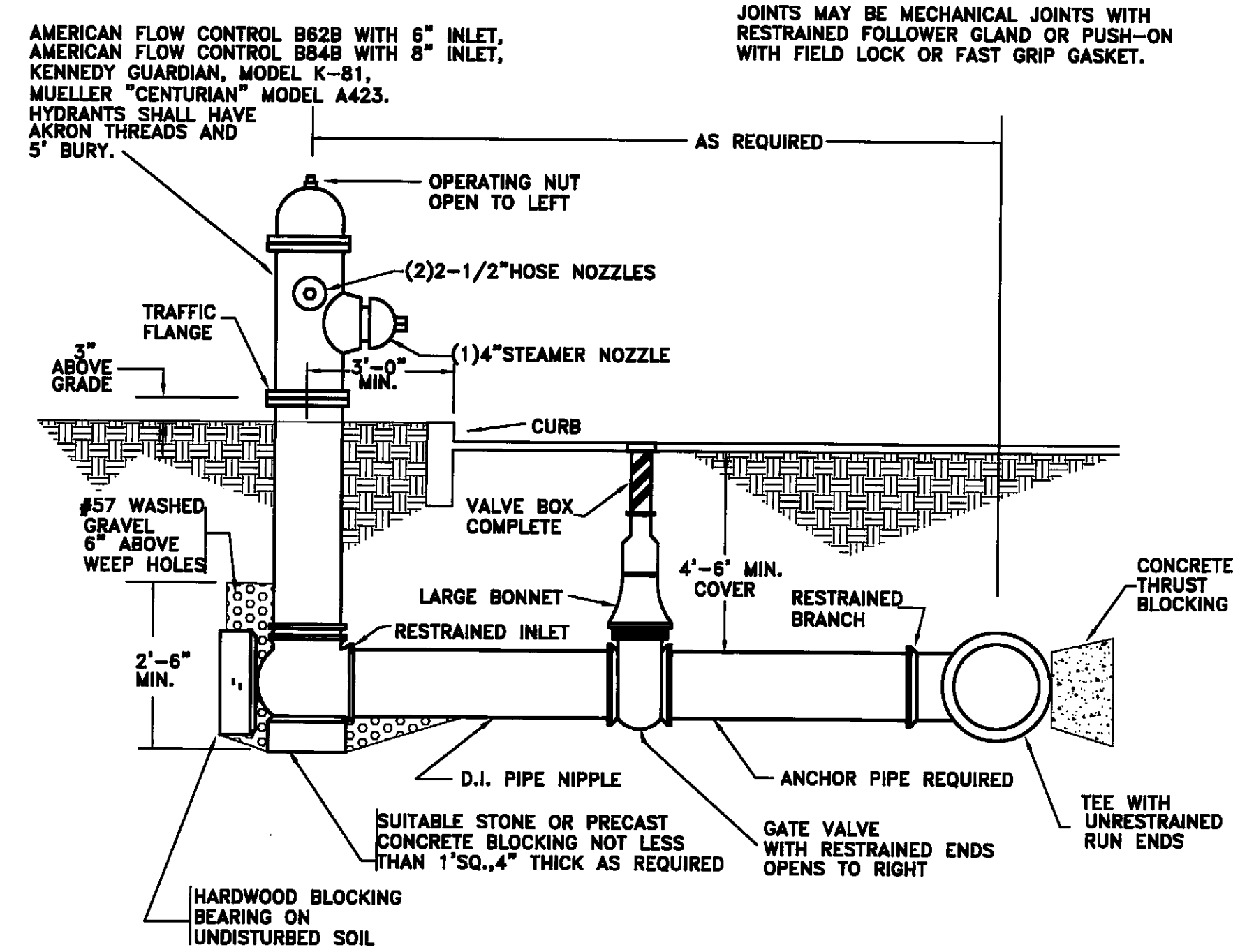
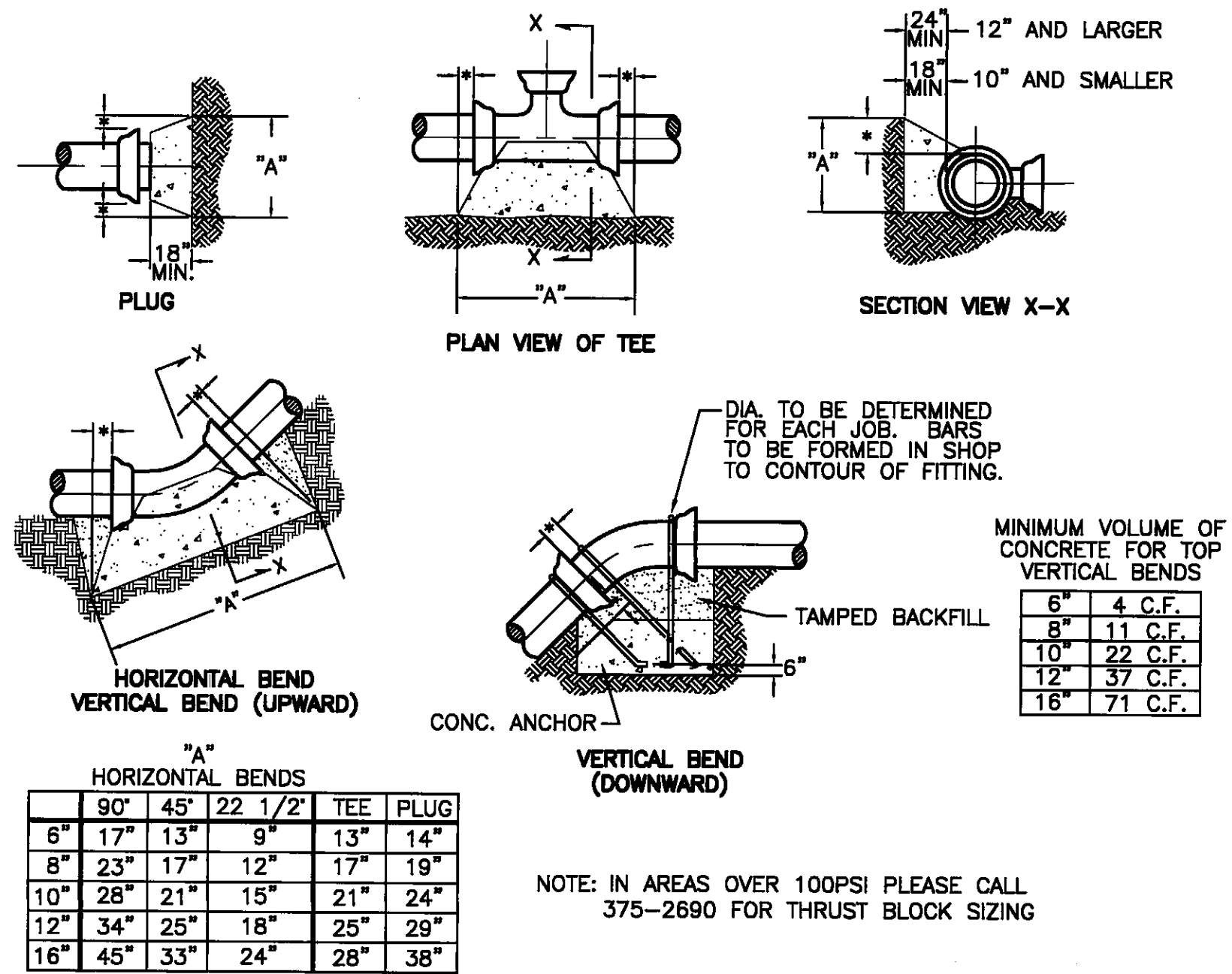


(CITY OF AKRON WATER)
RESTRAINED JOINT PIPE
NOT SCALE

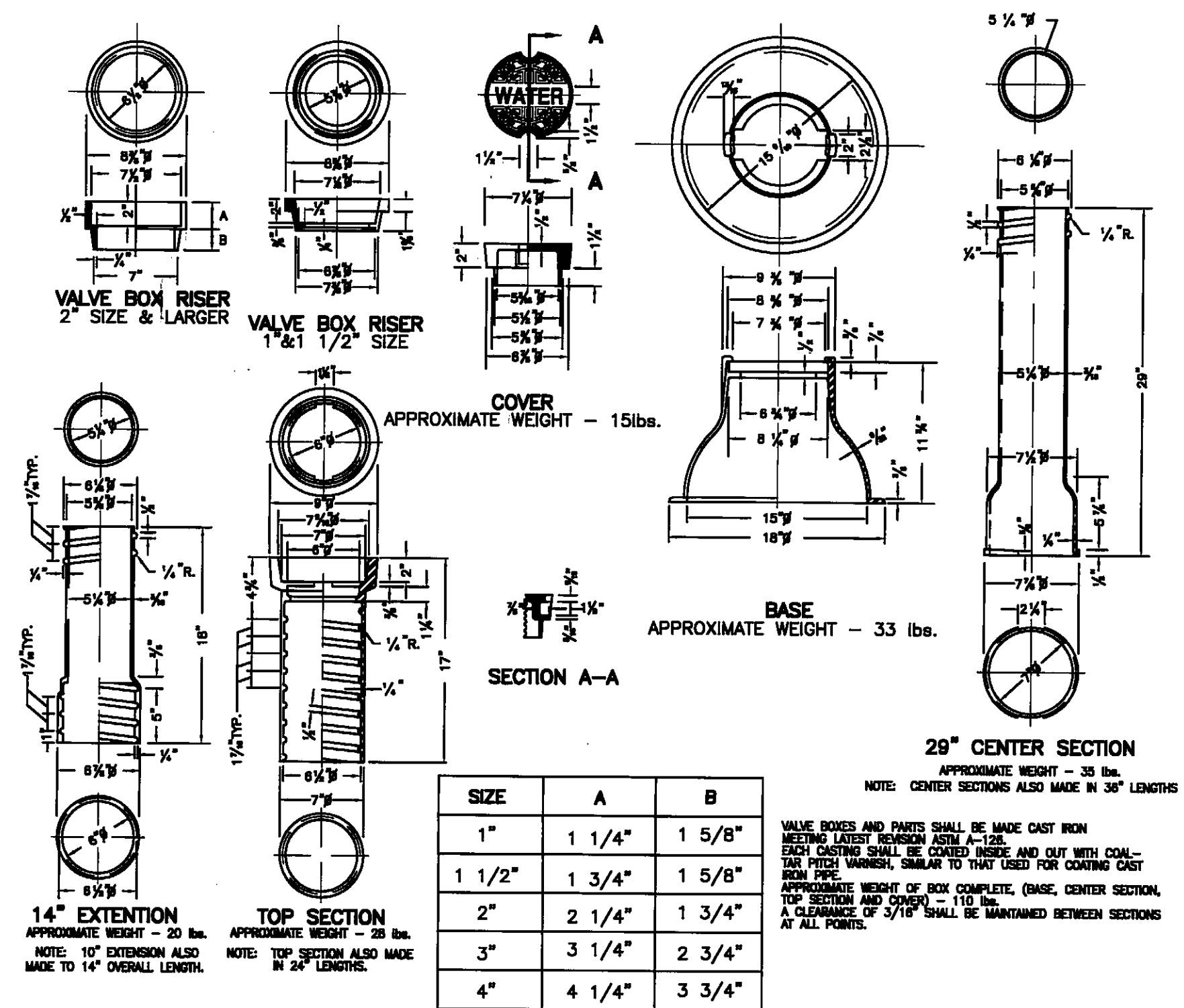


(CITY OF AKRON WATER)
HYDRANT RUN & INSTALLATION
NOT SCALE



* 6" MINIMUM
COPIED FROM Acc. C - 9015 AND REVISED

(CITY OF AKRON WATER)
TYPICAL CONCRETE THRUST BLOCKING
NOT SCALE



(CITY OF AKRON WATER)
STANDARD VALVE BOX
NOT SCALE

JOB NO.	12289F	SCALE	AS NOTED
DRAWN BY	MJD	CHECKED BY	CJO
DWG NAME	12289C-det	DATE	SEPTEMBER, 2014

HILLSIDE ESTATES - PHASE 4
WATER DETAILS
TOWNSHIP OF COPLEY, COUNTY OF SUMMIT, STATE OF OHIO

NEFF & ASSOCIATES
Civil Engineers • Landscape Architects • Planners • Surveyors
6405 York Road | Parma Heights, Ohio 44130
Tel: 440.884.3100 | Fax: 440.884.3104
www.neffassociates.com

REV NO	DATE	DESCRIPTION	BY	SHEET NO.
1	09/15/14	ORIGINAL SUBMITTAL	CJO	C7.1