

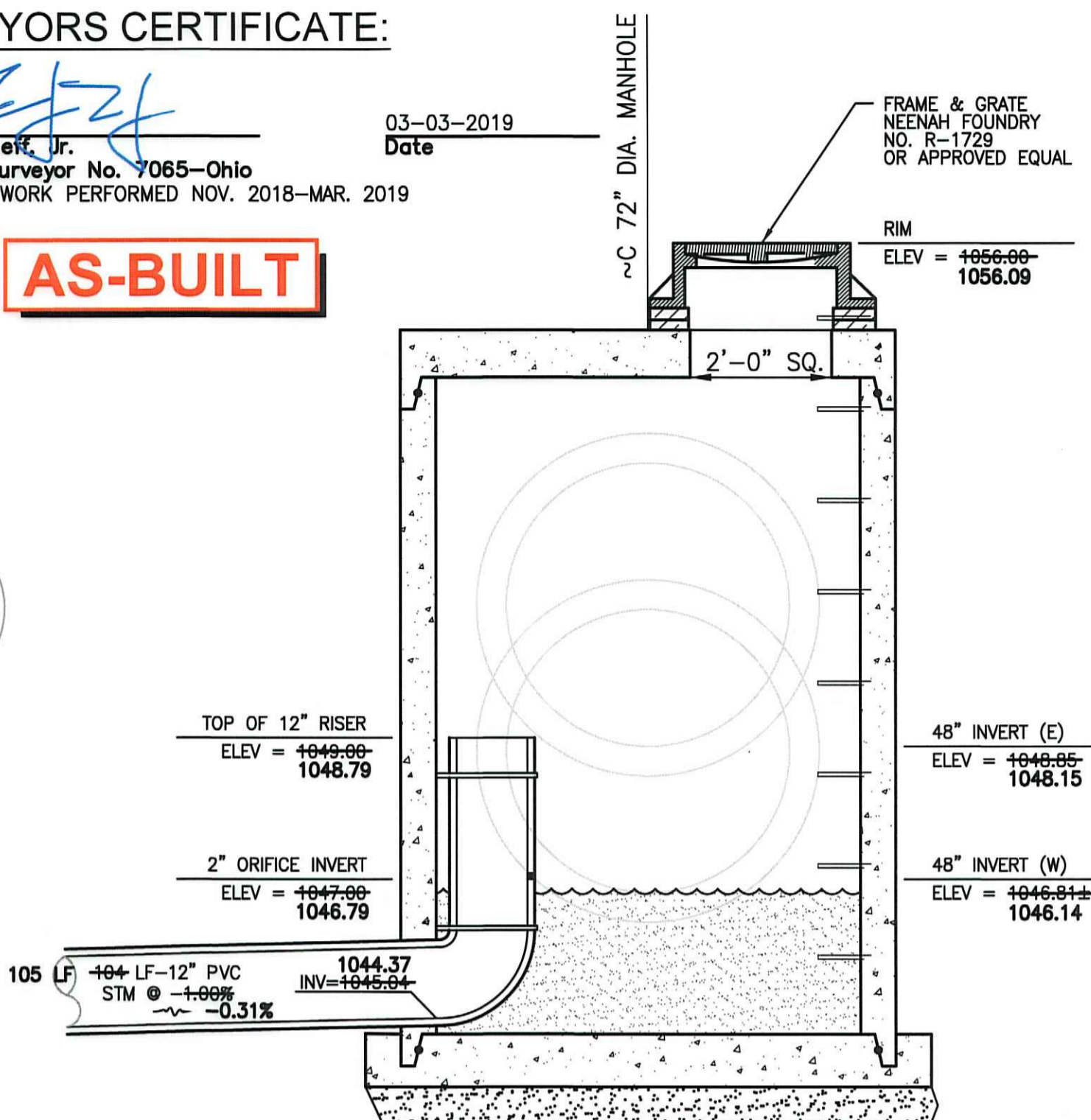
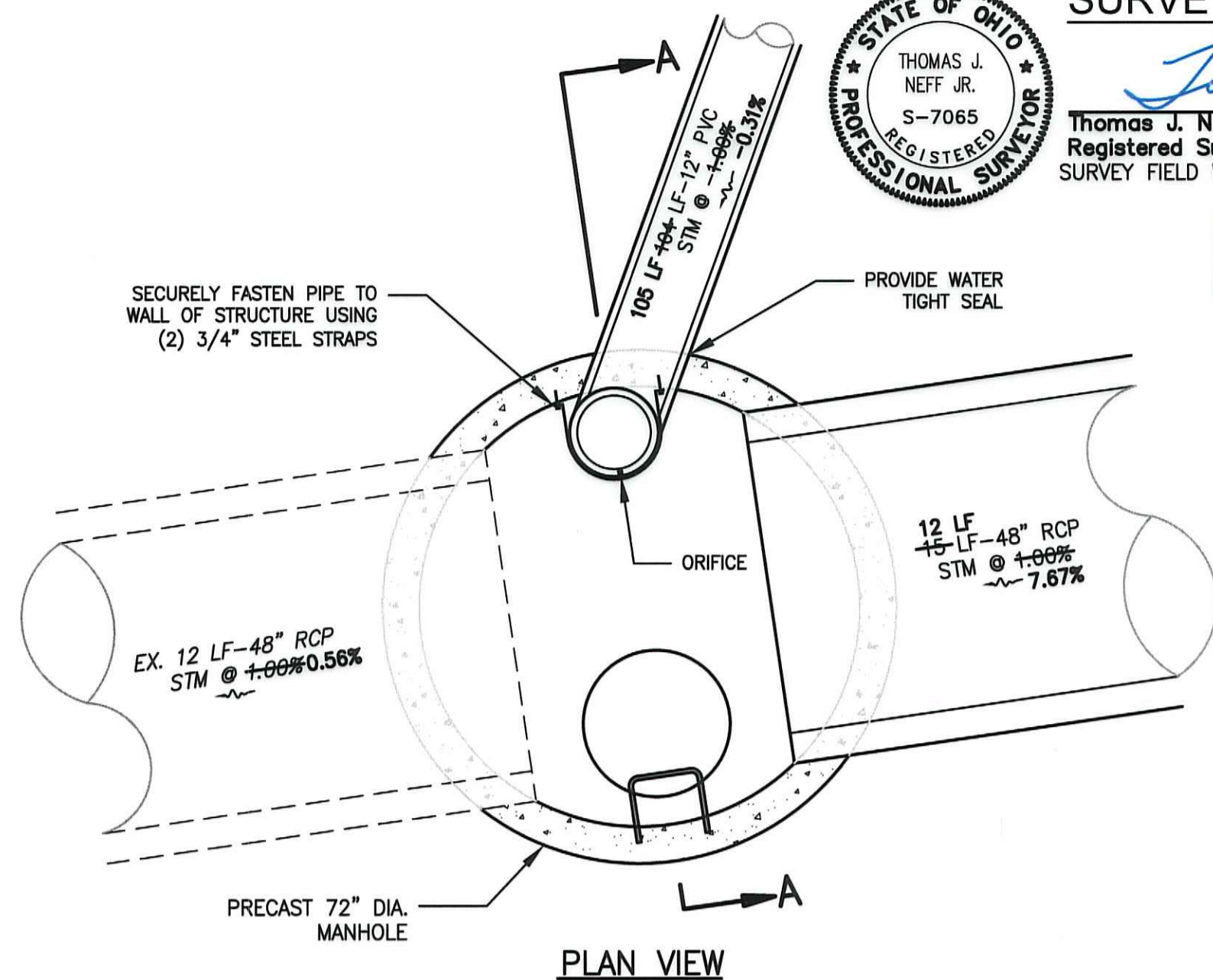


**SURVEYORS CERTIFICATE:**

Thomas J. Neff, Jr.  
Registered Surveyor No. 7065-Ohio  
SURVEY FIELD WORK PERFORMED NOV. 2018-MAR. 2019

03-03-2019  
Date

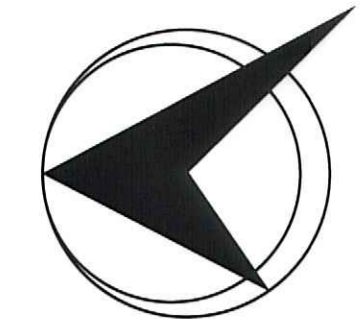
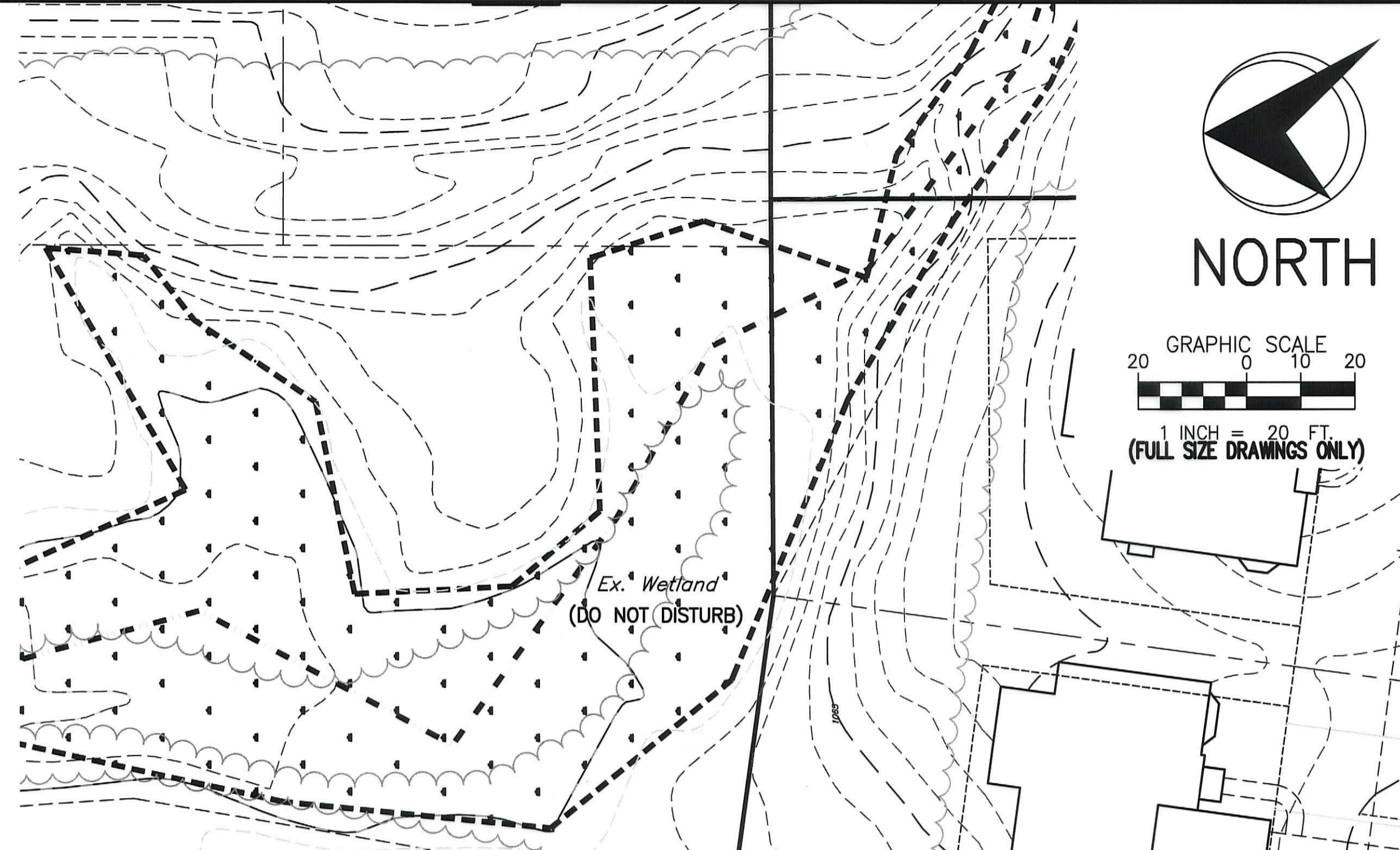
**AS-BUILT**



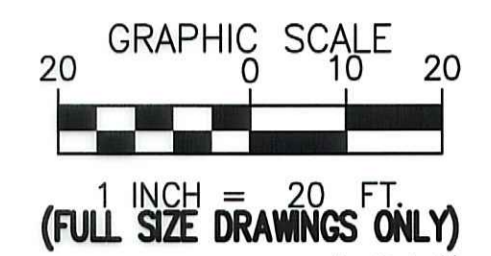
**STORM OUTLET STRUCTURE D1.0**

NOT TO SCALE

**SECTION A-A**



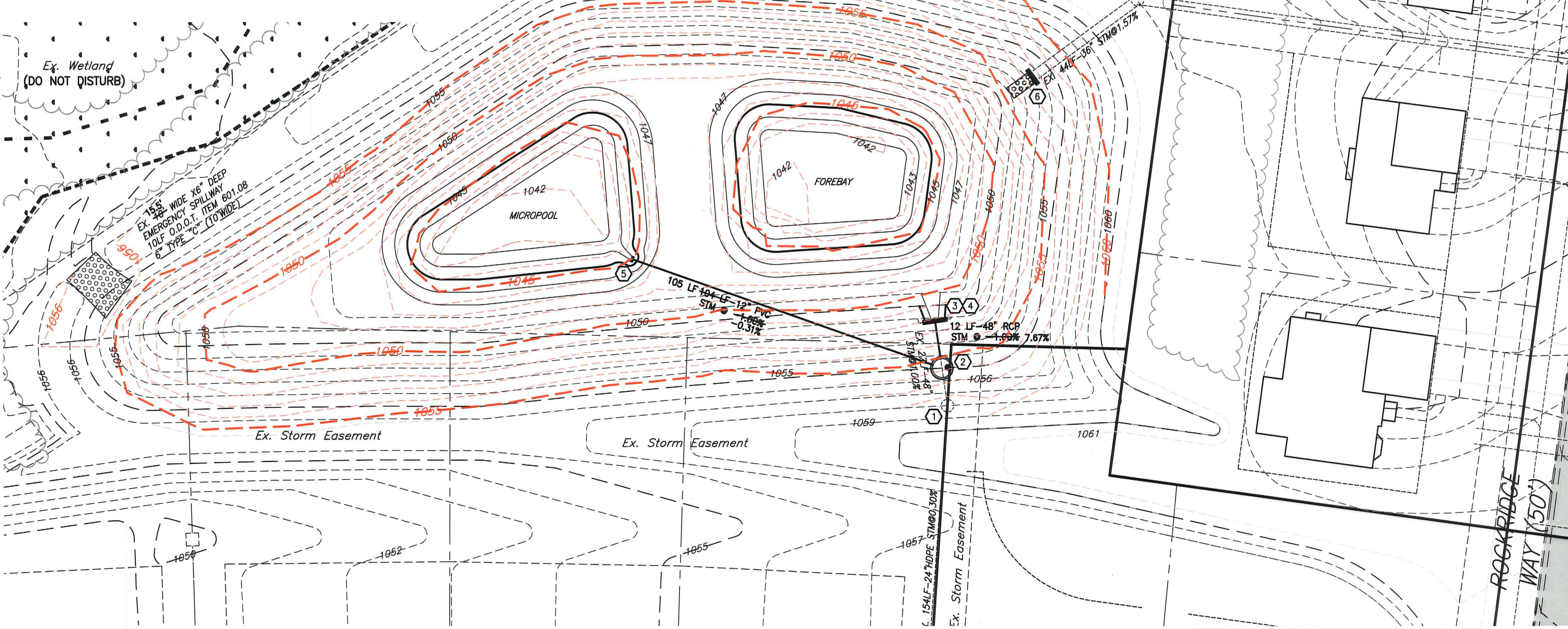
**NORTH**



**STRUCTURES**

- 1 EX. STM OS  
4+41.90, 426.1'R (MILLSTREAM)  
RIM=1056.00 1056.09 (AB)  
INV=1046.09(48"E) 1048.15 (AB)  
INV=1044.87(24"W) (AB)
- 2 STM OS D1.0  
(72" ID)  
4+40.16, 414.2'R (MILLSTREAM)  
RIM=1056.00 1056.09 (AB)  
INV=1048.86(48"E) 1048.15 (AB)  
INV=1046.84(48"W) 1046.14 (AB)  
INV=1045.94(12"NW) 1044.37 (AB)
- 3 EX. STM HW  
(TO BE REPLACED)  
O.D.O.T. HW 2.2 HEADWALL  
4+37.99, 399.4'R (MILLSTREAM)  
INV=1046.96(48") (AB)
- 4 STM HW D2.0  
O.D.O.T. HW-2.2 HEADWALL  
4+37.99, 399.4'R (MILLSTREAM)  
INV=1049.88(48")  
1049.07 (AB)
- 5 STM HW D3.0  
O.D.O.T. HW-2.1 HEADWALL  
3+42.12, 380.0'R (MILLSTREAM)  
INV=1044.88(12")  
1044.04 (AB)
- 6 EX. STM HW  
O.D.O.T. HW-2.1 HEADWALL  
W/ROCK CHANNEL PROTECTION  
4+68.92, 322.2'R (MILLSTREAM)  
INV=1053.65(36") (AB)

**WATER QUALITY POND "B"**  
DRAINAGE AREA=35.60 AC  
WQV REQUIRED=24,965 CF  
WQV AVAILABLE=25,256 CF 25,072 CF  
FOREBAY VOLUME=16,295 CF 11,123 CF  
MICROPOOL VOLUME=16,426 CF 11,694 CF  
NORMAL WATER ELEV=1047.00  
WATER QUALITY ELEV=1049.00  
BTM ELEV=1043.00  
EX. SPILLWAY ELEV=1055.50



IMMEDIATELY FOLLOWING THE COMPLETION OF GRADING OPERATIONS FOR A PROPOSED DETENTION/RETENTION BASIN, FINAL RESTORATION OF THE BASIN MUST BE COMPLETED TO ESTABLISH PROPER VEGETATION AND LIMIT SOIL EROSION. A MINIMUM THICKNESS OF 3" OF TOPSOIL MUST BE APPLIED TO THE LIMITS OF THE GRADING FOR THE BASIN AND THEN SEEDED AND MULCHED. THE MATERIAL UTILIZED IN RESTORATION OF THE BASIN SHALL ADHERE TO ODOT ITEMS 652, 653 AND 659.

JOB NO	12269F	SCALE	1"=20'
DRAWN BY	MJD	CHK'D BY	CJO
DWG NAME	12269F-ds3p	DATE	SEPTEMBER, 2014

**HILLSIDE ESTATES - PHASE 4**  
**WATER QUALITY POND "B" PLAN**  
TOWNSHIP OF COPLEY, COUNTY OF SUMMIT, STATE OF OHIO



REV NO	DATE	DESCRIPTION	BY
8	11/27/19	UPDATED POND "B" AS-BUILT	MJD
7	05/08/19	UPDATED POND "B" AS-BUILT	MJD
6	03/03/19	POND "B" AS-BUILT	CJO
3	02/27/15	REV. PER COSE & SUMMIT SWCD	CJO
2	11/17/14	REV. PER COSE, DOES, AKRON WTR.	CJO
1	09/15/14	ORIGINAL SUBMITTAL	CJO

**SHEET NO.**  
**C2.5**