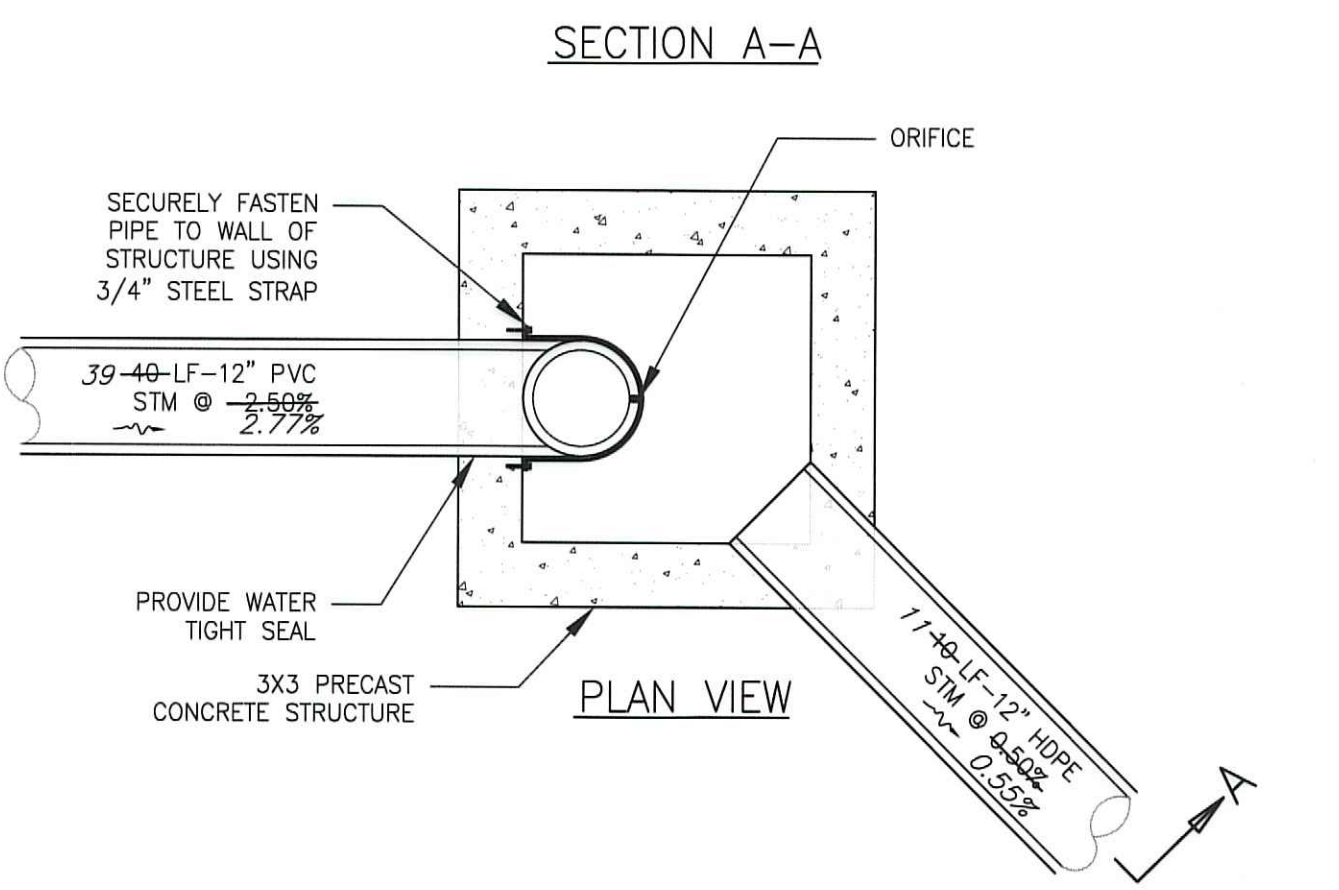
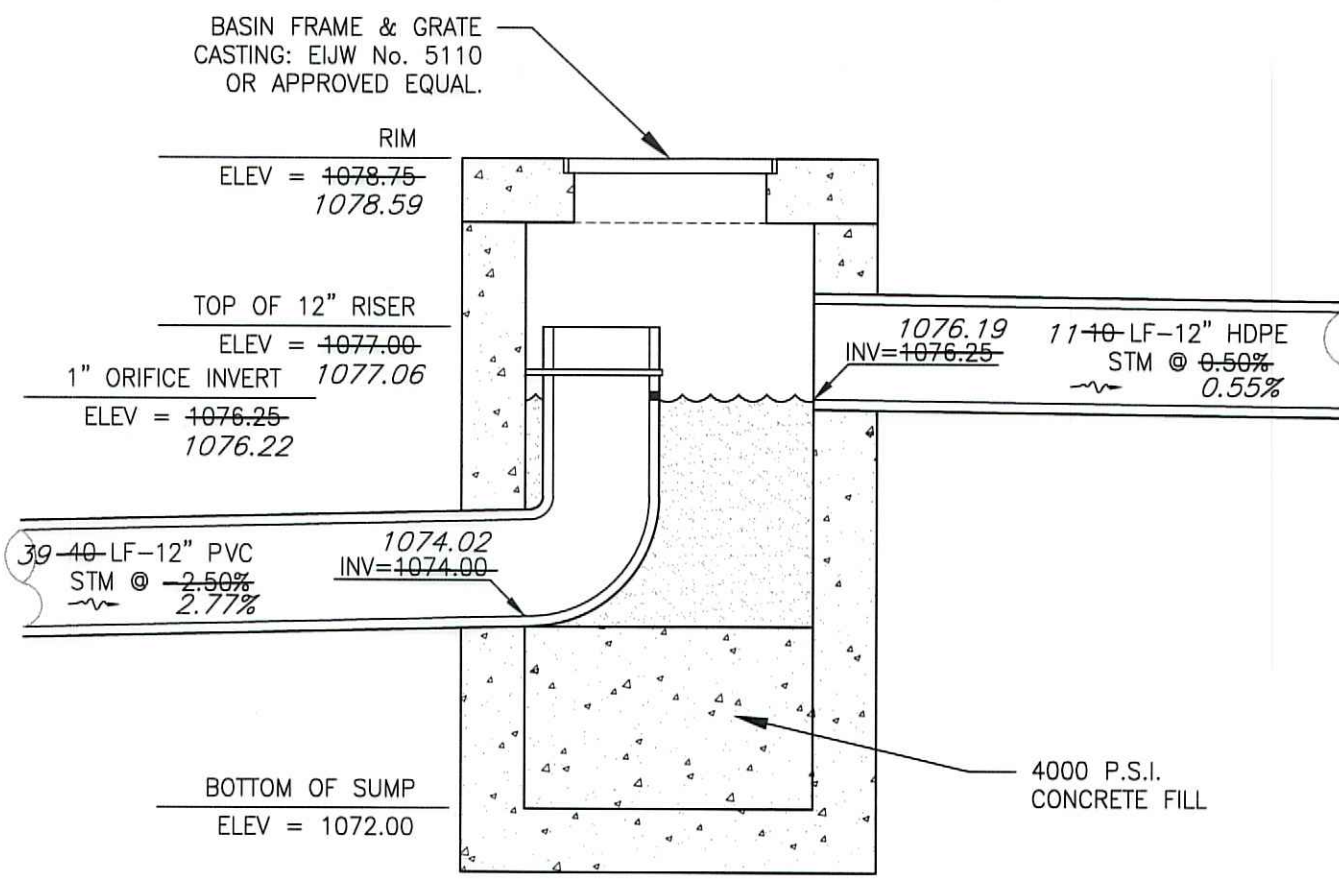
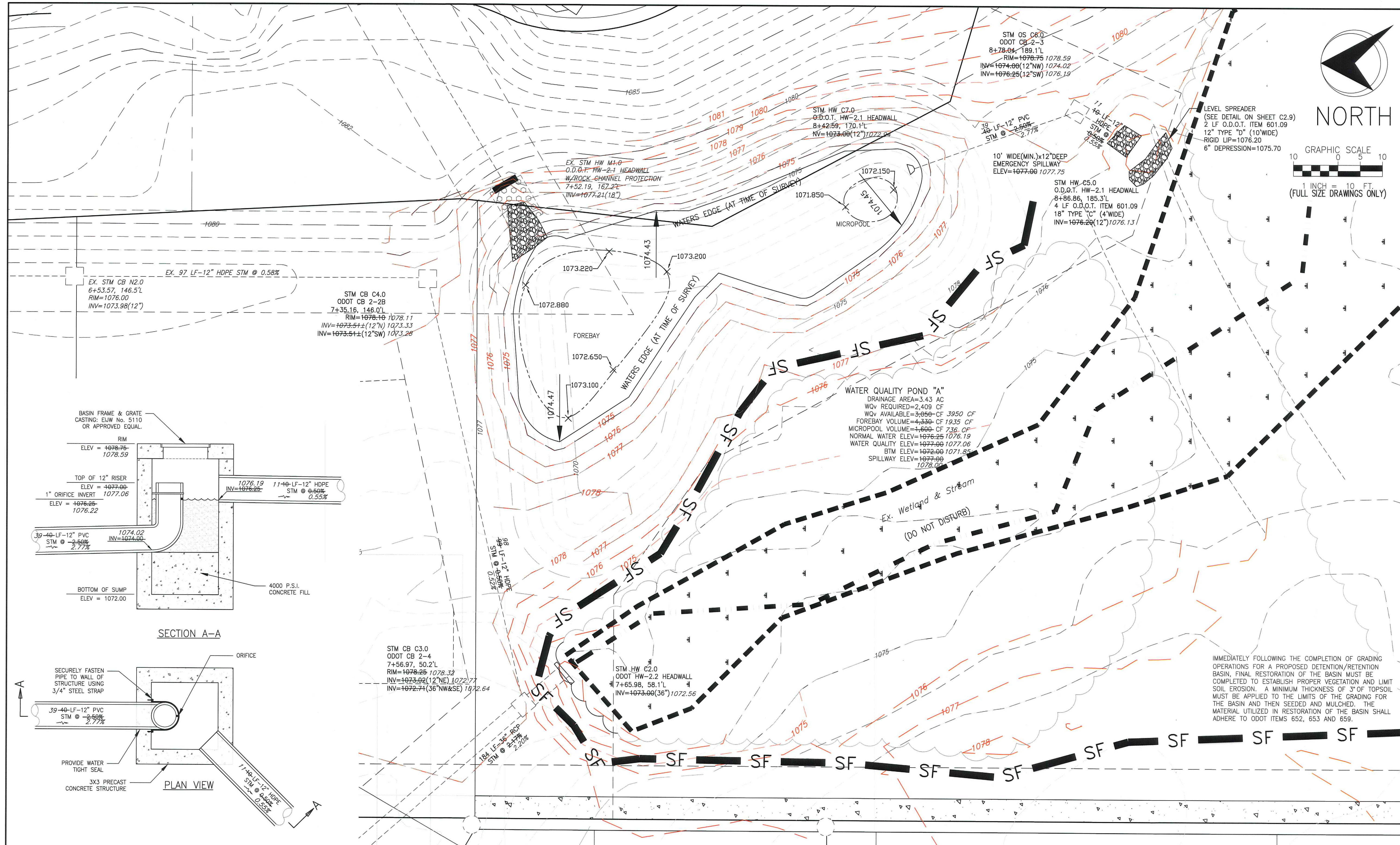
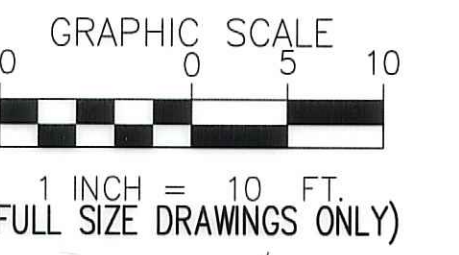


NORTH



STORM OUTLET STRUCTURE C6.0  
NOT TO SCALE

IMMEDIATELY FOLLOWING THE COMPLETION OF GRADING OPERATIONS FOR A PROPOSED DETENTION/RETENTION BASIN, FINAL RESTORATION OF THE BASIN MUST BE COMPLETED TO ESTABLISH PROPER VEGETATION AND LIMIT SOIL EROSION. A MINIMUM THICKNESS OF 3" OF TOPSOIL MUST BE APPLIED TO THE LIMITS OF THE GRADING FOR THE BASIN AND THEN SEEDED AND MULCHED. THE MATERIAL UTILIZED IN RESTORATION OF THE BASIN SHALL ADHERE TO ODOT ITEMS 652, 653 AND 659.

|          |             |          |                 |
|----------|-------------|----------|-----------------|
| JOB NO   | 12269F      | SCALE    | 1"=10'          |
| DRAWN BY | MJD         | CHK'D BY | CJO             |
| DWG NAME | 12269F-ds3p | DATE     | SEPTEMBER, 2014 |

HILLSIDE ESTATES - PHASE 4  
**WATER QUALITY POND "A" PLAN**  
 TOWNSHIP OF COPLEY, COUNTY OF SUMMIT, STATE OF OHIO



| REV NO | DATE     | DESCRIPTION                     | BY  | SHEET NO. |
|--------|----------|---------------------------------|-----|-----------|
| 9      | 12/18/19 | POND "A" AS-BUILT               | MJD | C2.4      |
| 4      | 10/26/19 | POND "A" AS-BUILT               | MJD |           |
| 3      | 02/27/15 | REV. PER COSE & SUMMIT SWCD     | CJO |           |
| 2      | 11/17/14 | REV. PER COSE, DOES, AKRON WTR. | CJO |           |
| 1      | 09/15/14 | ORIGINAL SUBMITTAL              | CJO |           |