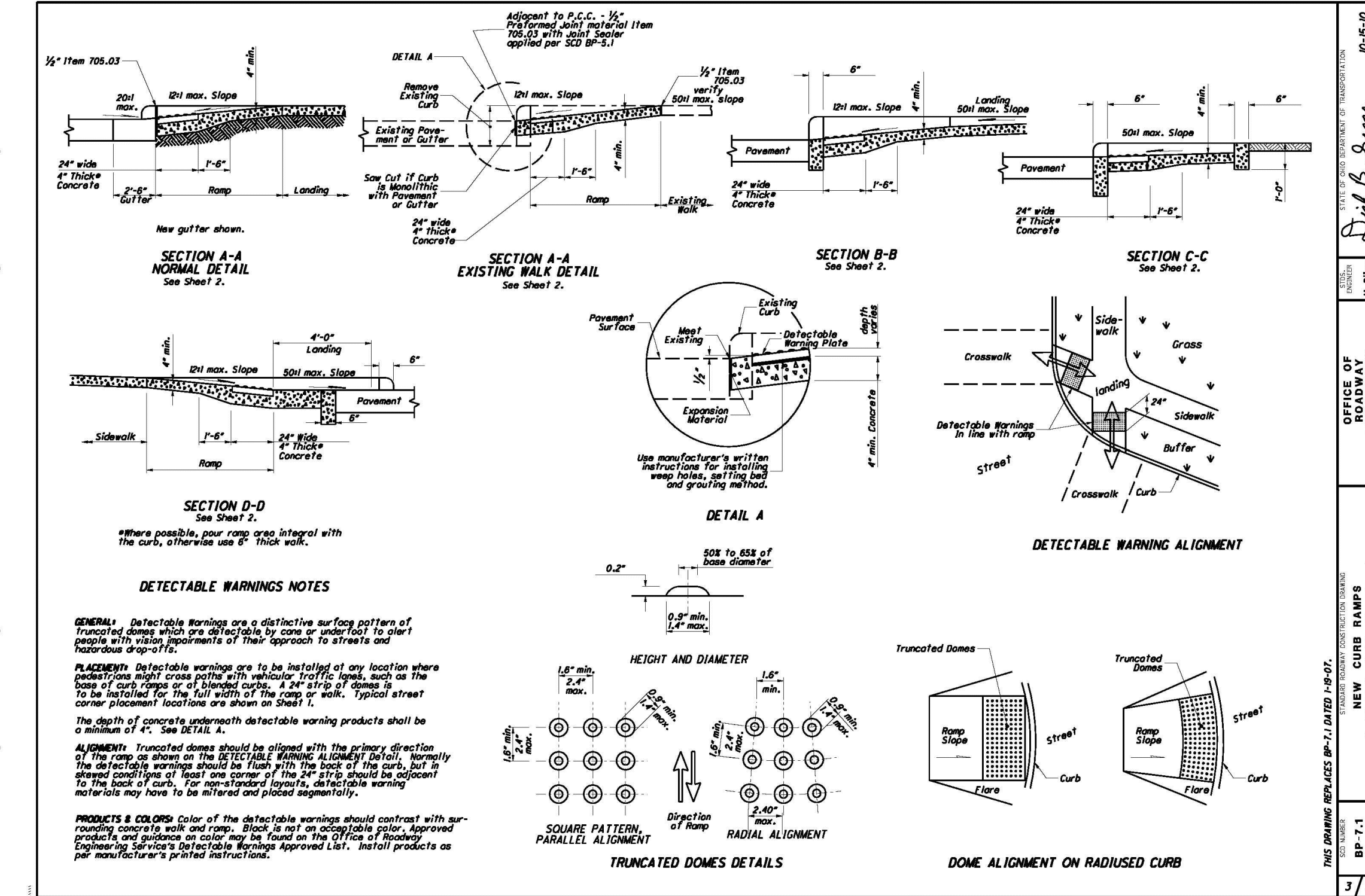
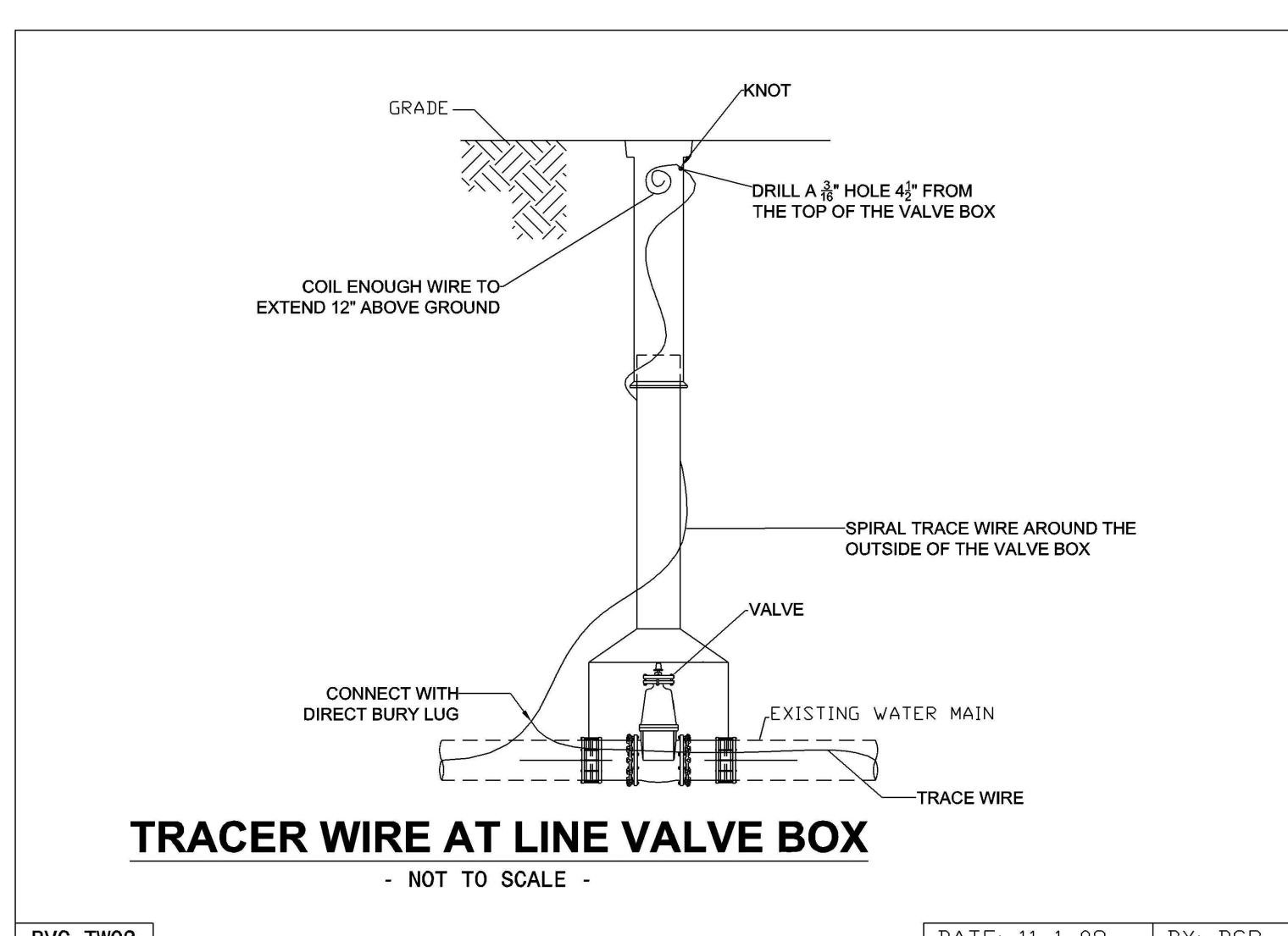
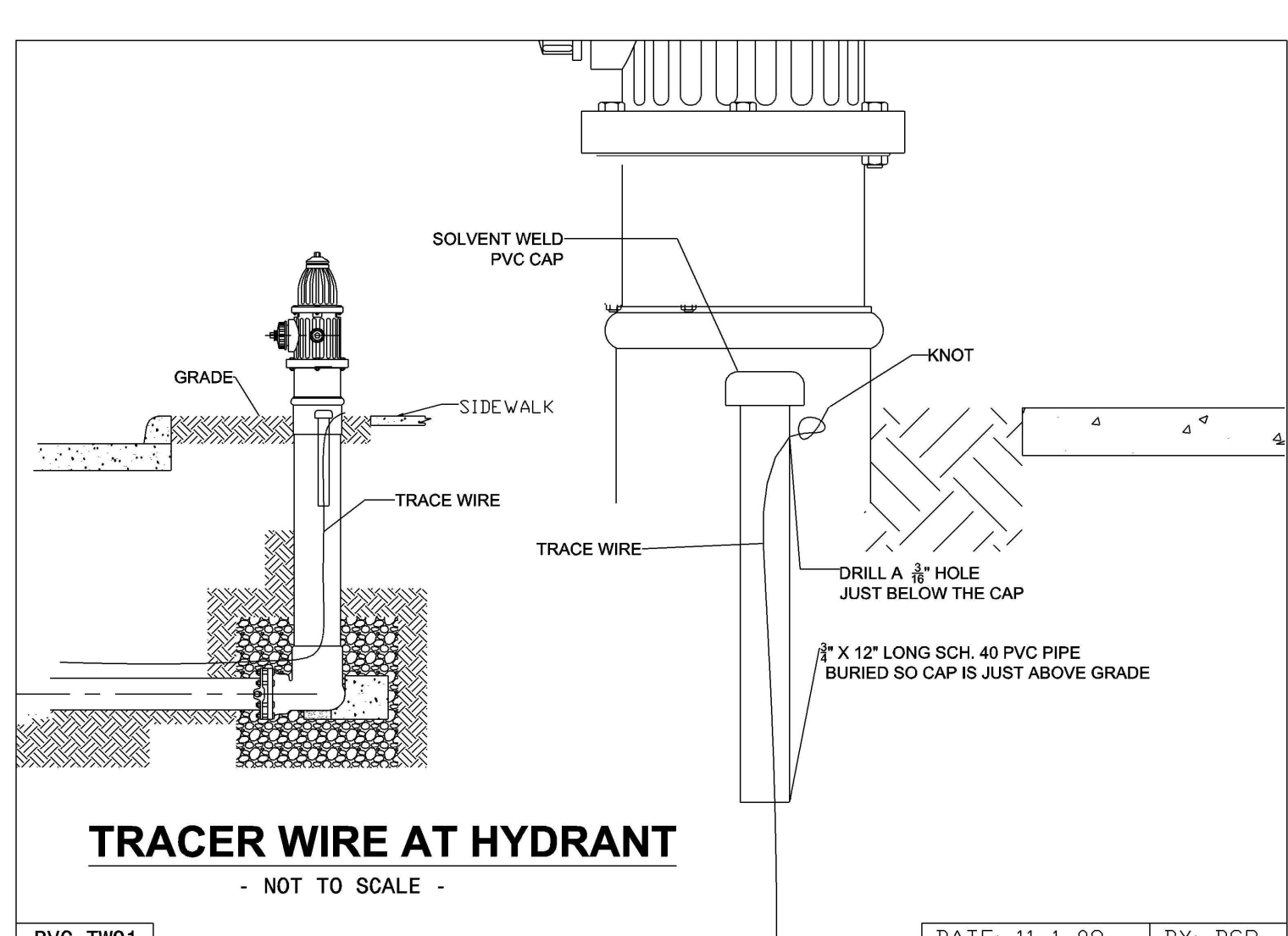
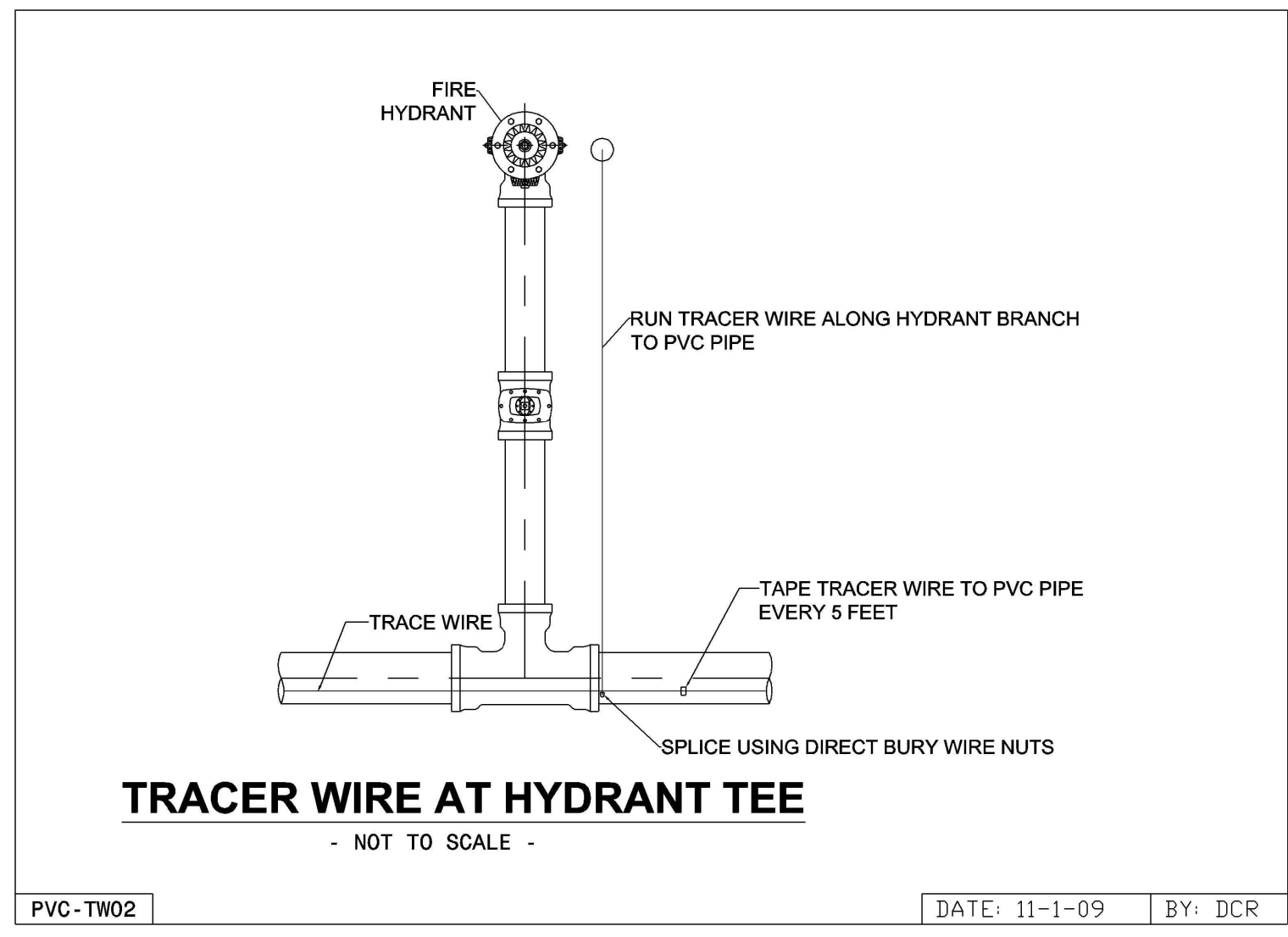
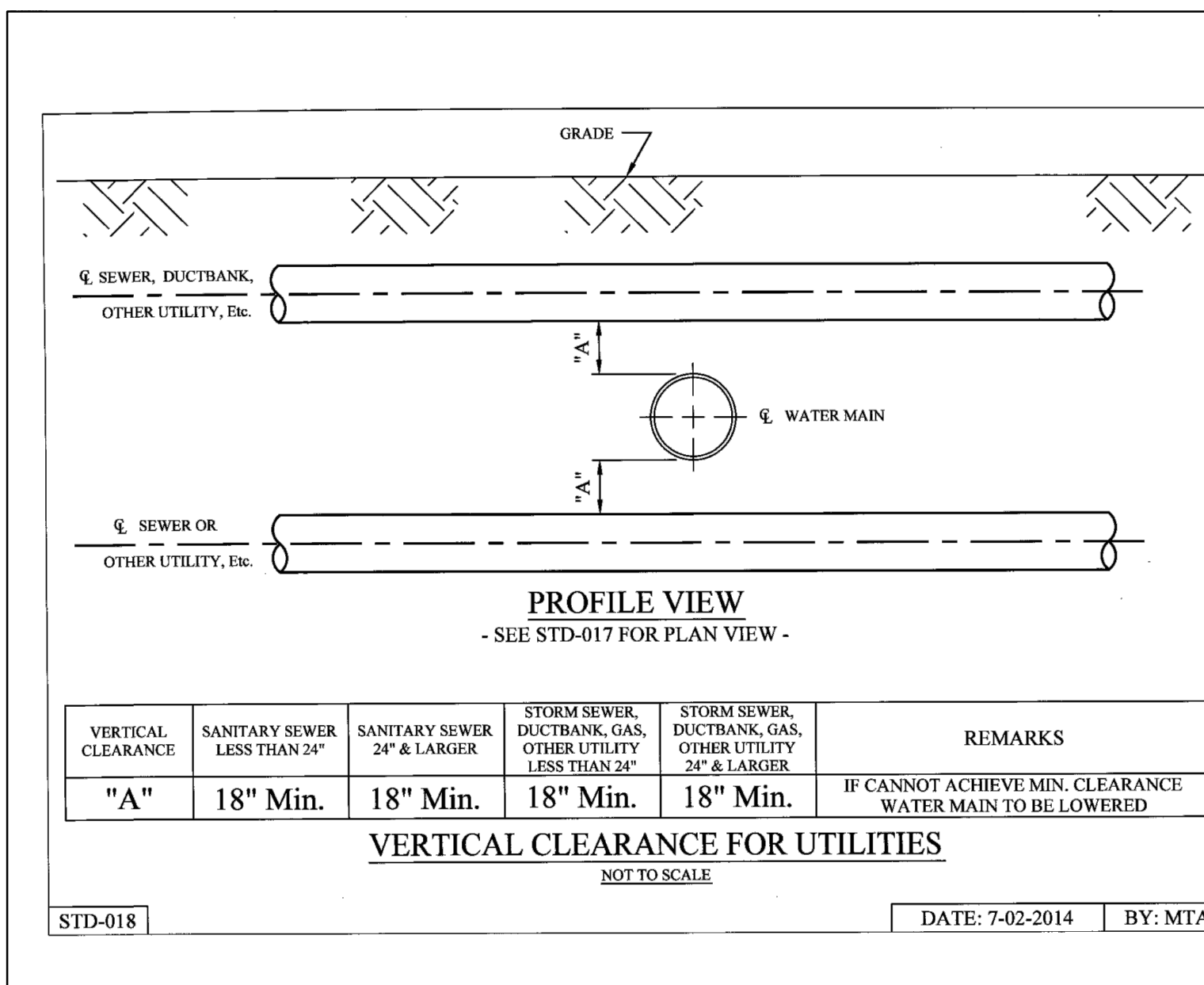


OFFICE OF ROADWAY ENGINEERING
 11000 W. CURET RD. SUITE 100
 COLUMBUS, OHIO 43240-1100
 TEL: 614.291.1100
 FAX: 614.291.1101
 WWW.WEBERENGINEERING.COM
 2/3



OFFICE OF ROADWAY ENGINEERING
 11000 W. CURET RD. SUITE 100
 COLUMBUS, OHIO 43240-1100
 TEL: 614.291.1100
 FAX: 614.291.1101
 WWW.WEBERENGINEERING.COM
 3/3



WEBER ENGINEERING SERVICES
 Where Strong Relationships & Superior Service Guide Your Project

2555 Hartville Rd., Suite B
 Rootstown, OH 44272
 www.WeberEngineeringServices.com
 330-329-2037
 matt@webercivil.com

STATE OF OHIO
 REGISTERED PROFESSIONAL ENGINEER
 MATTHEW WEBER
 61709

Reg. No.: 61709

Dunham Land Properties Inc.

756 Ravenhill Drive
 Sagamore Hills, OH 44067
 Paul Karnow
 Ph.# (330) 468-2892
 Fax# (330) 468-2892

Issue Date

01-25-2016
02-05-2016
02-11-2016
02-25-2016
06-01-2016
06-29-2016
08-10-2016
09-08-2016
10-03-2016
10-10-2016
03-27-2017

HIDDEN RIDGE
 RESIDENTIAL SUBDIVISION
 DUNHAM ROAD

SITE DETAILS

C107C
 Project No. 2014-226