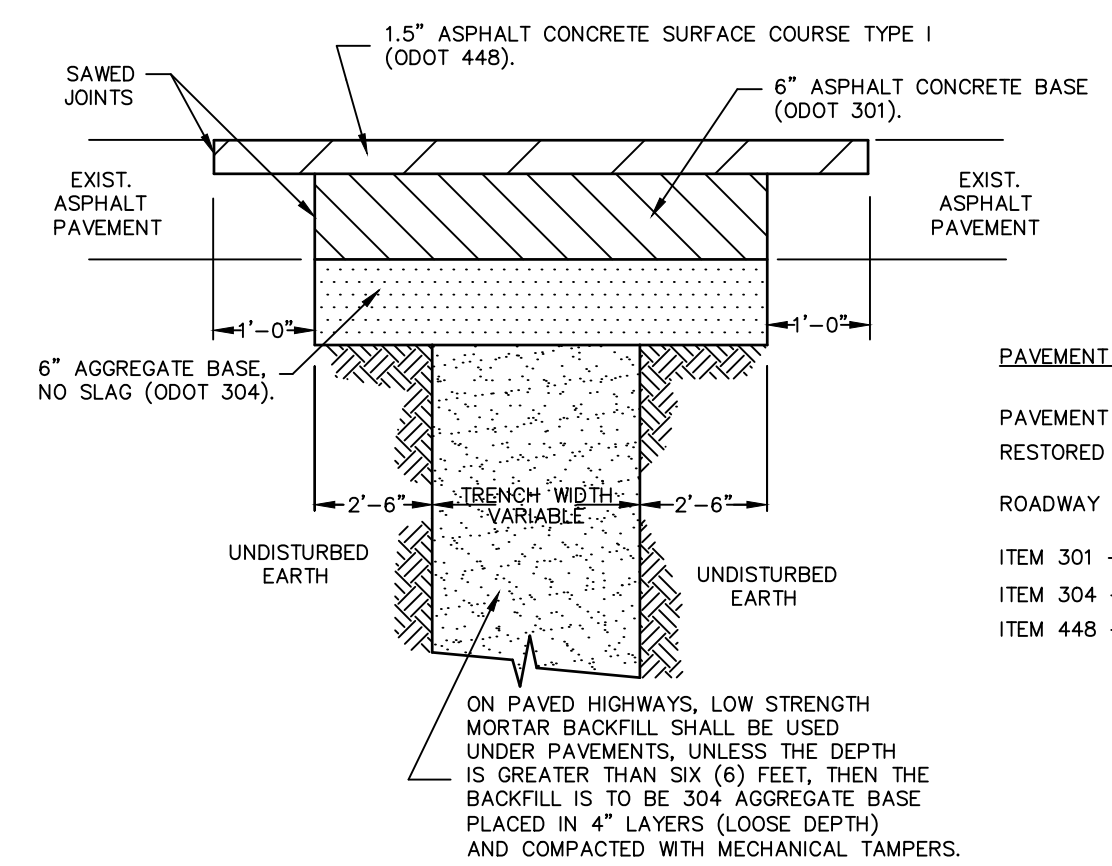
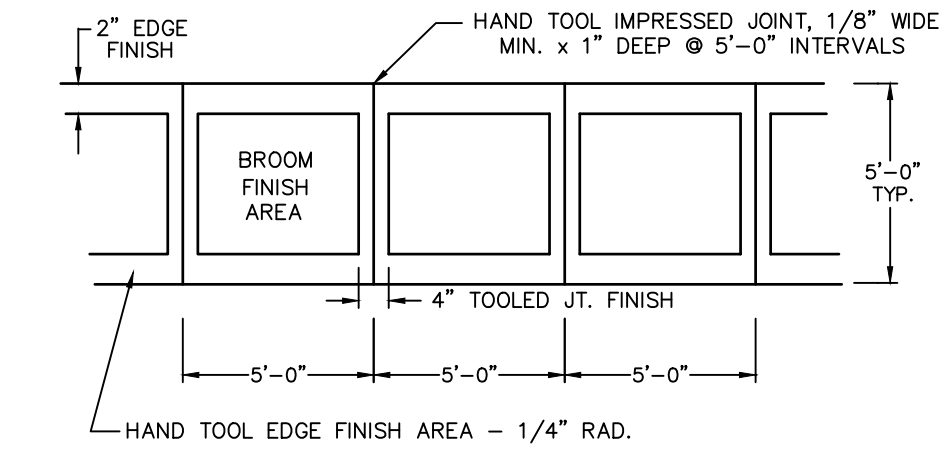
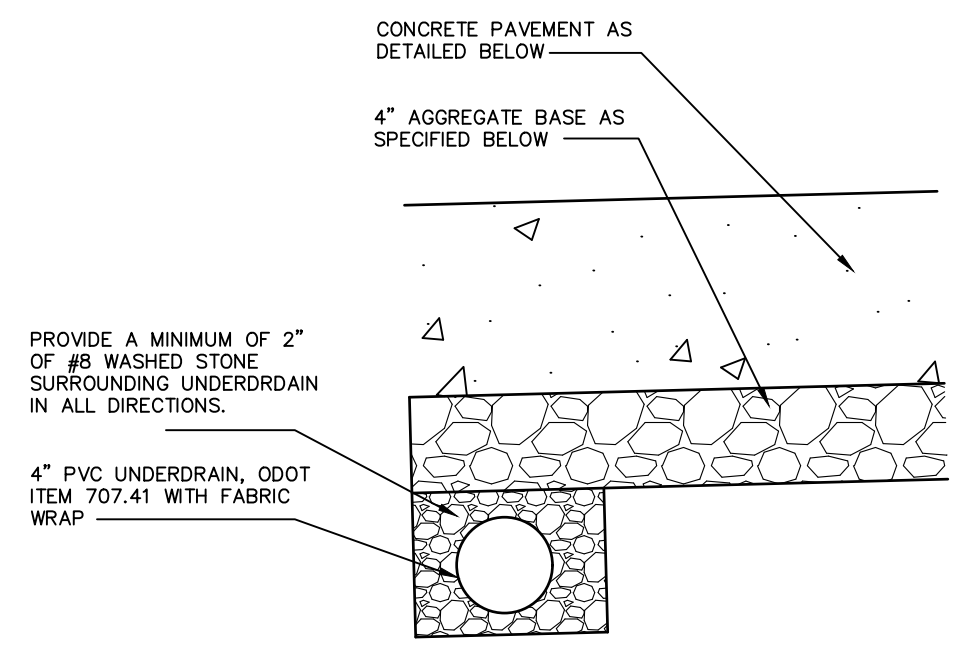


- O.D.O.T. SPECIFICATION REFERENCE**
- ① ITEM 448 - 1-1/2" ASPHALT CONCRETE SURFACE COURSE, TYPE 1 PG 64-22. (COURSE AGGREGATE IN MIX SHALL BE CRUSHED LIMESTONE)
 - ② ITEM 408 - PRIME COAT @ 0.40 GAL/SY
 - ③ ITEM 301 - 5" ASPHALT CONCRETE BASE
 - ④ ITEM 304 - 6" AGGREGATE BASE
 - ⑤ ITEM 605 - 4" DIA. PERFORATED UNDERDRAIN (SEE TYPE 3 CONCRETE CURB AND GUTTER DETAIL THIS SHEET)
 - ⑥ ITEM 609 - 2'-6" CONCRETE CURB & GUTTER TYPE 3
 - ⑦ ITEM 653 - TOPSOIL FURNISHED & PLACED
 - ⑧ ITEM 659 - SEEDING AND MULCHING, CLASS 1
 - ⑨ ITEM 608 - CONCRETE WALK (SEE DETAIL THIS SHEET)
 - ⑩ ITEM 204 - SUBGRADE COMPACTION & PROOF ROLLING
 - ⑪ ITEM 407 - TACK COAT @ 0.075 GAL./S.Y.
- ASPHALT SHALL MEET CURRENT ODOT CONSTRUCTION & MATERIAL SPECIFICATIONS WITH ANY AMENDMENTS BY COSE.

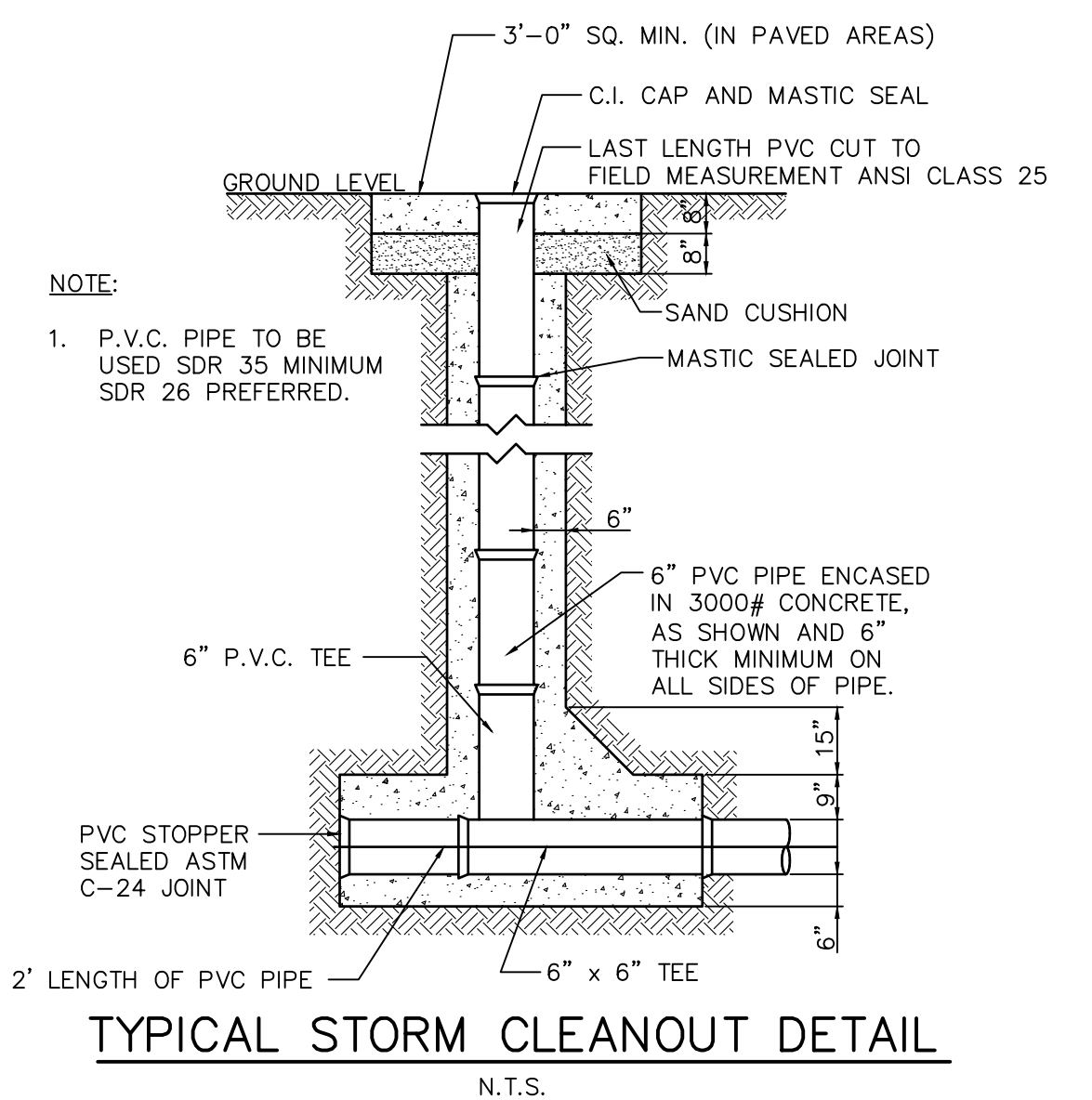
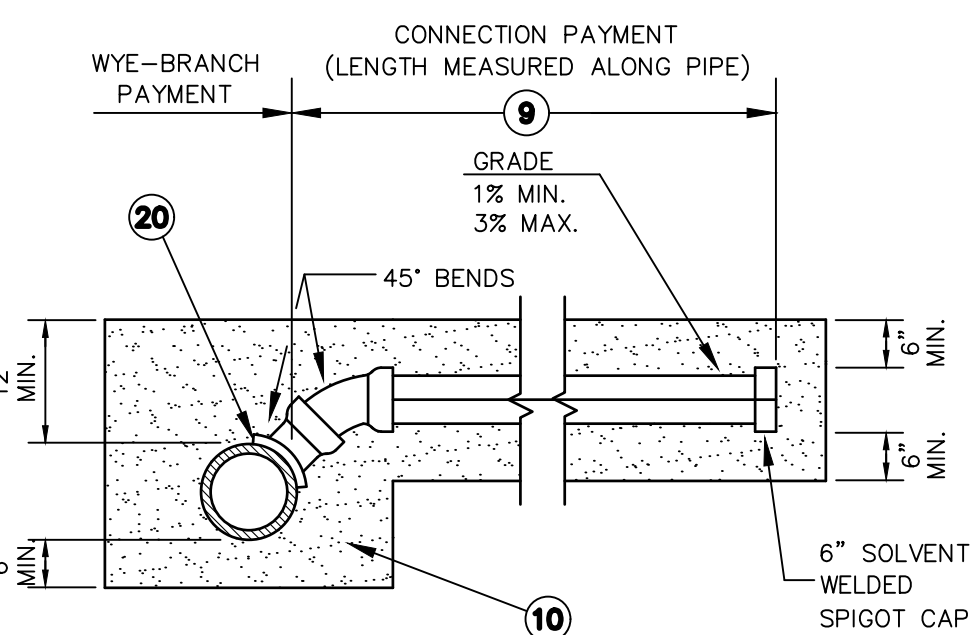
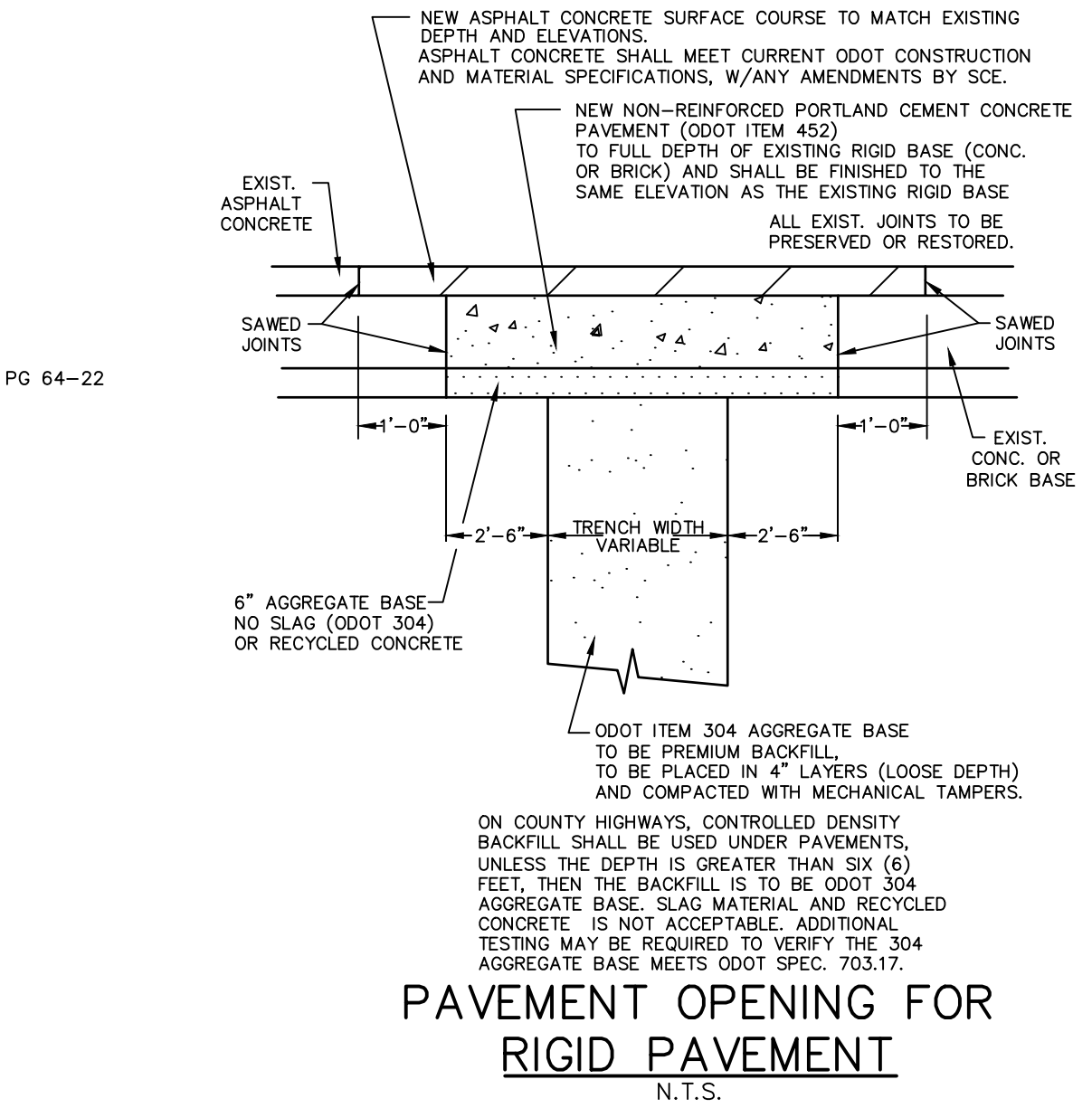
HARVESTER DRIVE TYPICAL PAVEMENT SECTION
 N.T.S.



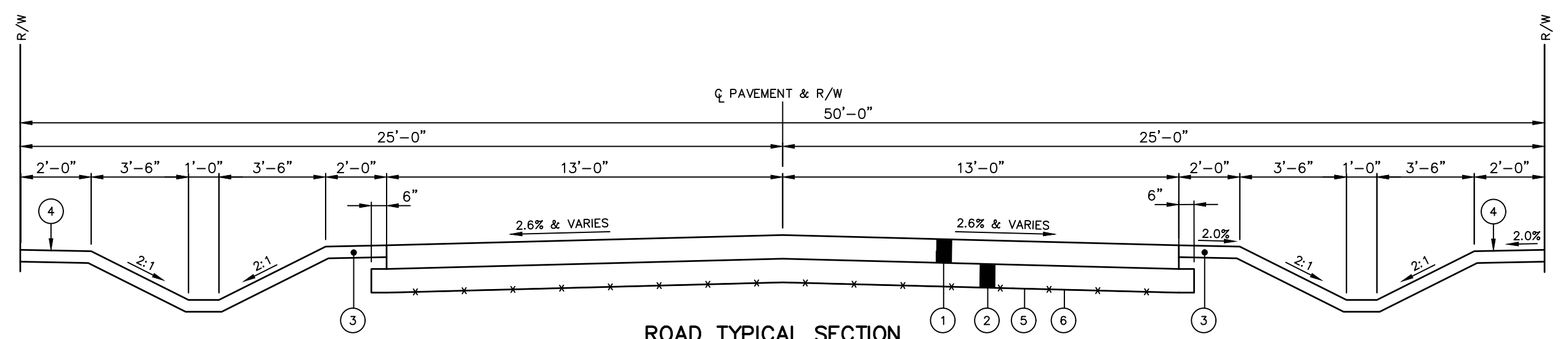
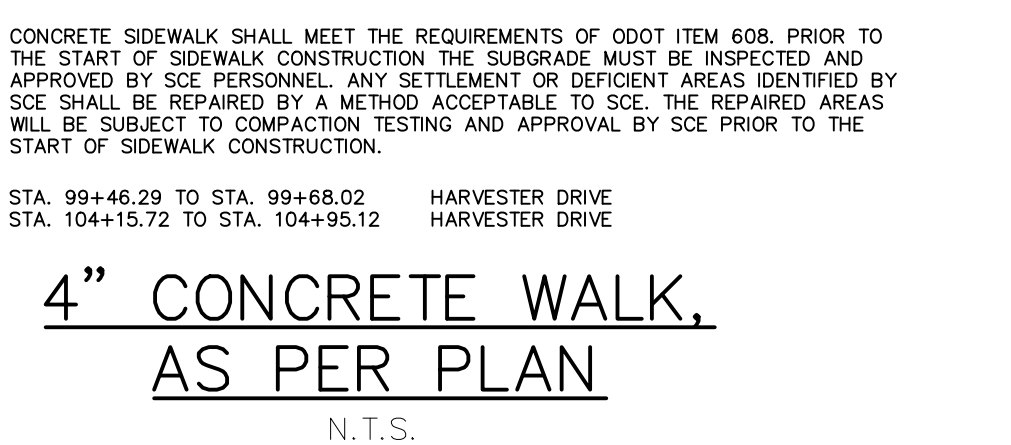
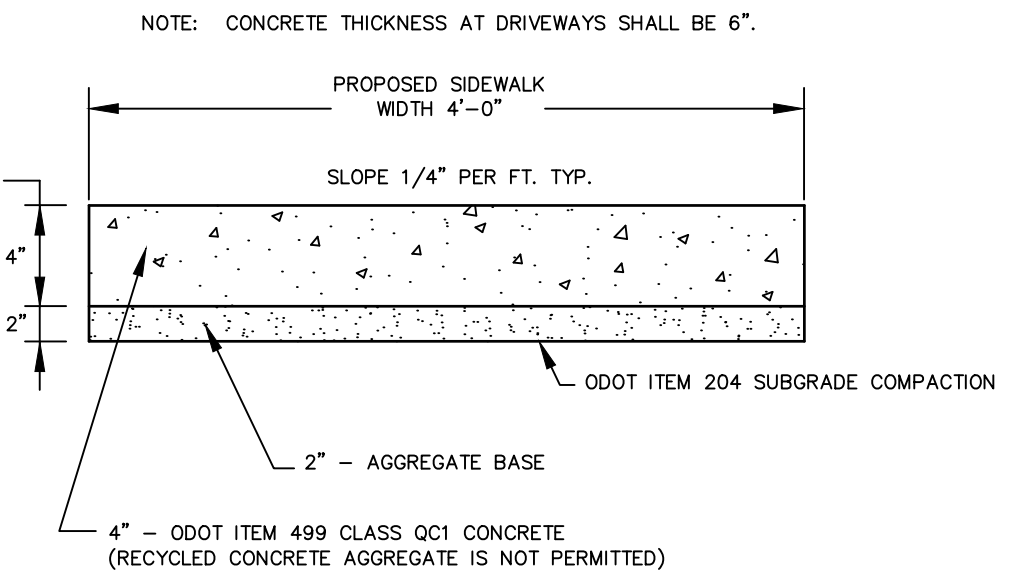
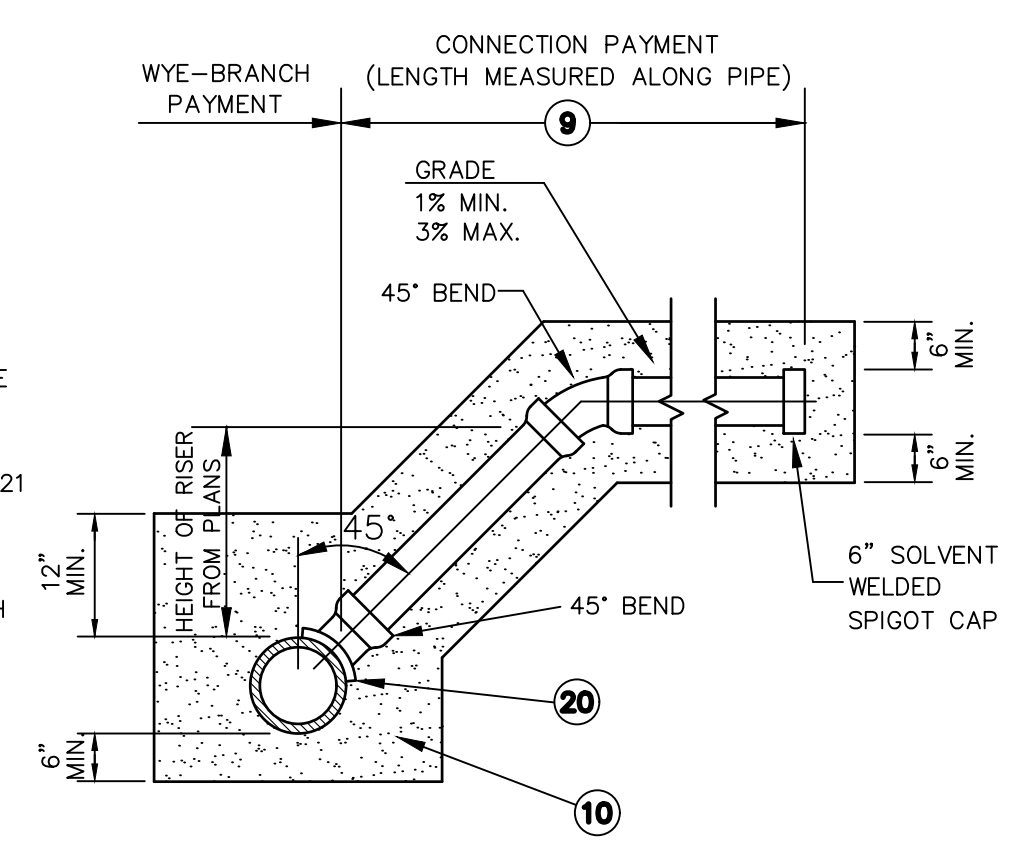
HIGHPOINT DRIVE UNDERDRAIN
 SCALE: N.T.S.



FLEXIBLE PAVEMENT RESTORATION
 N.T.S.



STORM RISER DETAIL
 NOT TO SCALE



- O.D.O.T. SPECIFICATION REFERENCE**
- ① ITEM 452 - 7" NON-REINFORCED CONCRETE PAVEMENT
 - ② ITEM 304 - 4" AGGREGATE BASE, 703.17 MATERIAL (NO RECYCLED MATERIAL)
 - ③ ITEM 653 - TOPSOIL FURNISHED & PLACED
 - ④ ITEM 659 - SEEDING AND MULCHING, CLASS 1
 - ⑤ ITEM 204 - SUBGRADE COMPACTION & PROOF ROLLING
 - ⑥ GEORID, NENSAR TX-160 OR APPROVED EQUAL. CONCRETE SHALL MEET CURRENT ODOT CONSTRUCTION & MATERIAL SPECIFICATIONS WITH ANY AMENDMENTS BY COSE.

HIGH POINT DRIVE TYPICAL PAVEMENT SECTION
 N.T.S.

REV.	DATE	DESCRIPTION
01/23/17		ISSUED FOR REVIEW
04/17/17		REVISED PER AGENCY COMMENTS

THE PRESERVE AT MILLER'S FARM
 PHASE 4
 SE CORNER OF SR 18 AND MEDINA LINE RD
 COPLEY, OHIO 44321

DETAILS

ISSUED FOR:	
PERMIT	01/23/17
BID	
CONSTRUCTION	
AS-BUILT	
PROJECT MANAGER	DESIGNER
MAL	ALF

JOB NO
2013258.04

27/29