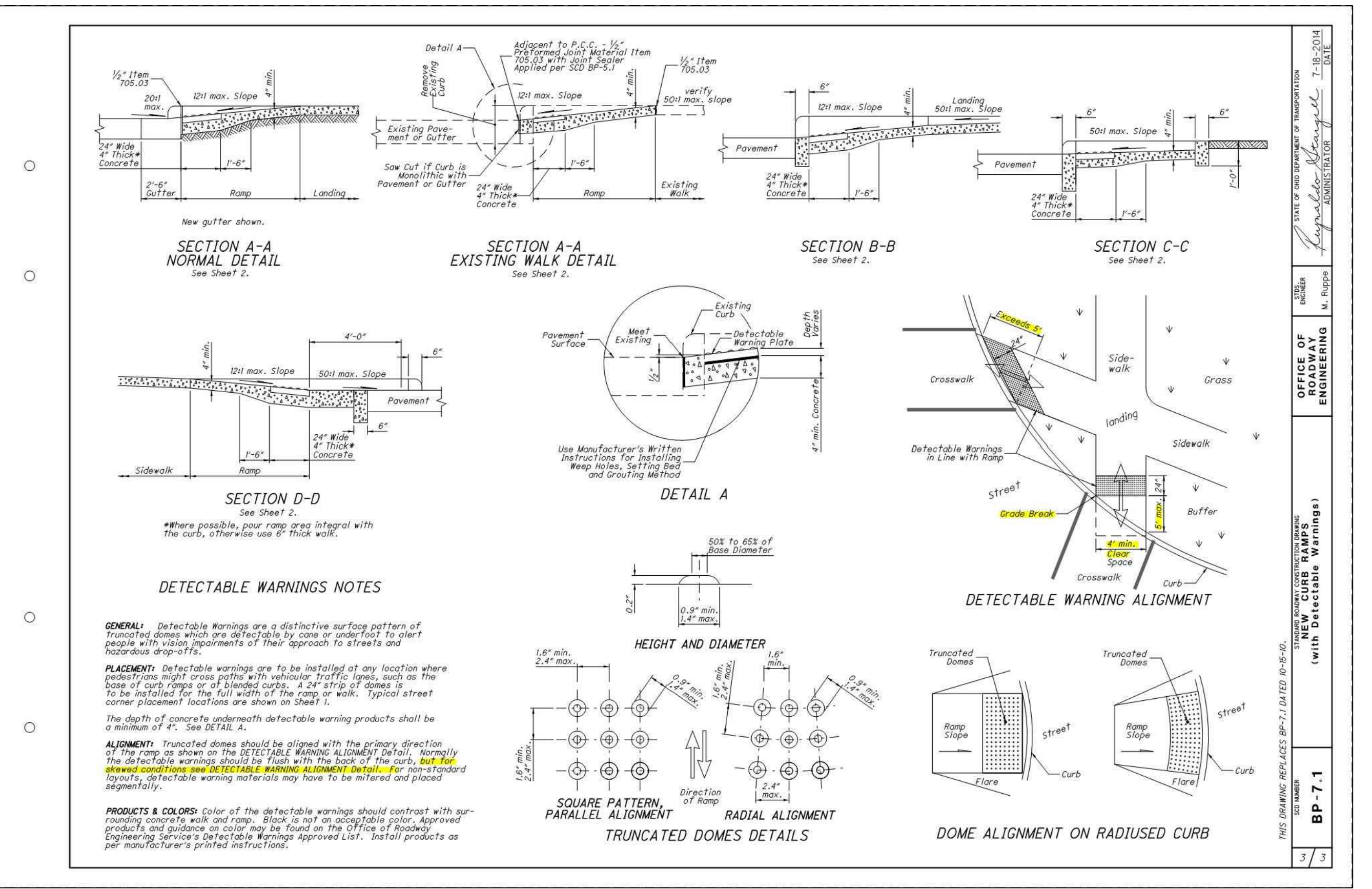
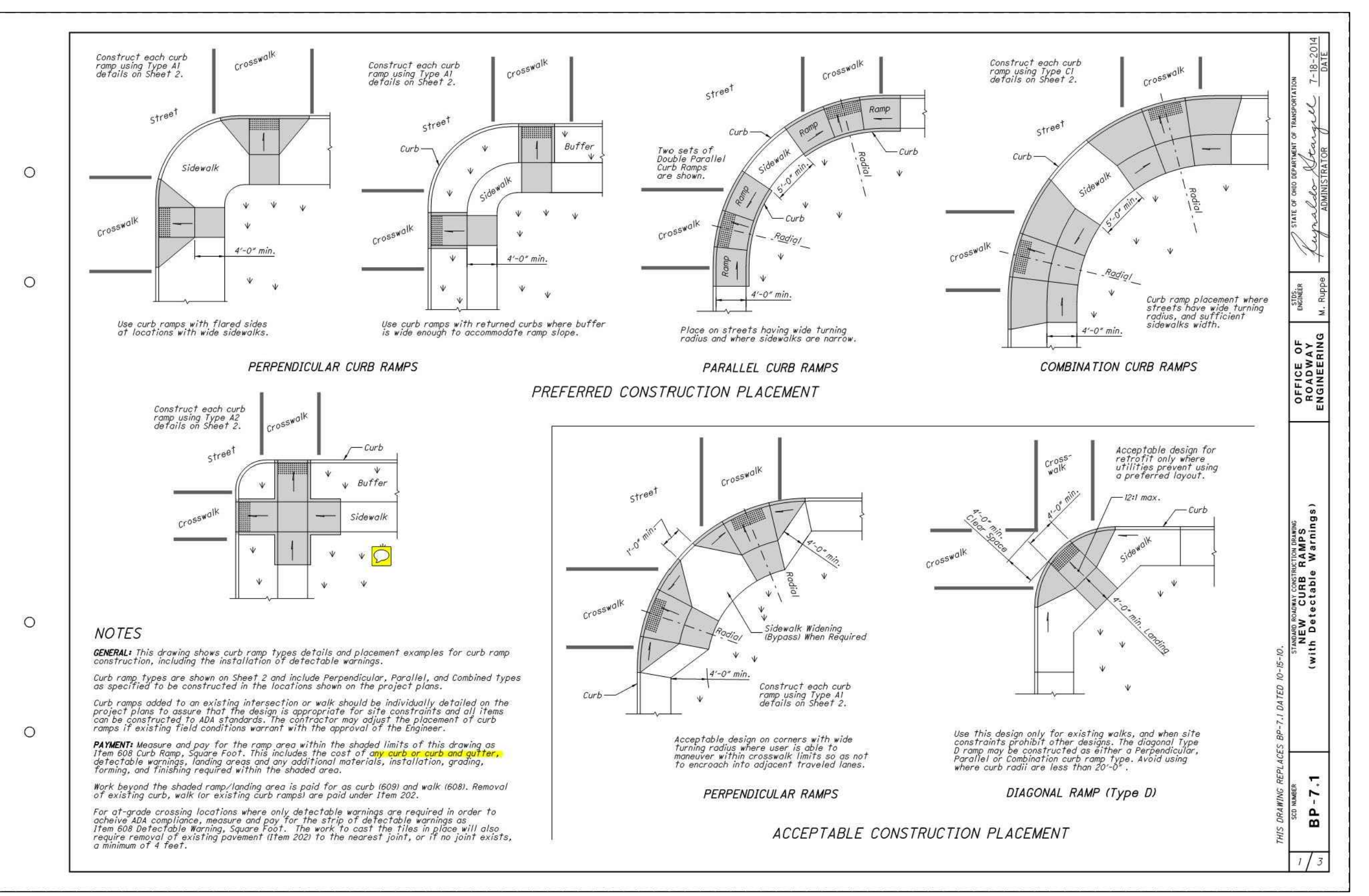


STATE OF OHIO DEPARTMENT OF TRANSPORTATION
 M. Ruppel
 7-18-2014
 101
 OFFICE OF ENGINEERING
 NEW CURB RAMPS (with Detectable Warnings)
 BP-7.1
 2/3



STATE OF OHIO DEPARTMENT OF TRANSPORTATION
 M. Ruppel
 7-18-2014
 101
 OFFICE OF ENGINEERING
 NEW CURB RAMPS (with Detectable Warnings)
 BP-7.1
 3/3



STATE OF OHIO DEPARTMENT OF TRANSPORTATION
 M. Ruppel
 7-18-2014
 101
 OFFICE OF ENGINEERING
 NEW CURB RAMPS (with Detectable Warnings)
 BP-7.1
 1/3

REV.	DATE	DESCRIPTION
06/10/16		REVISED PER AGENCY COMMENTS
7/11/16		REVISED PER COUNTY COMMENTS

**THE PRESERVE AT MILLER'S FARM
 PHASE 3
 SE CORNER OF SR 18 AND MEDINA LINE RD
 COPLEY, OHIO 44321**

DETAILS

ISSUED FOR:

PERMIT	04-06-2016
BID	
CONSTRUCTION	
AS-BUILT	

PROJECT MANAGER	DESIGNER
MAL	ALF

JOB NO.
2013258.03