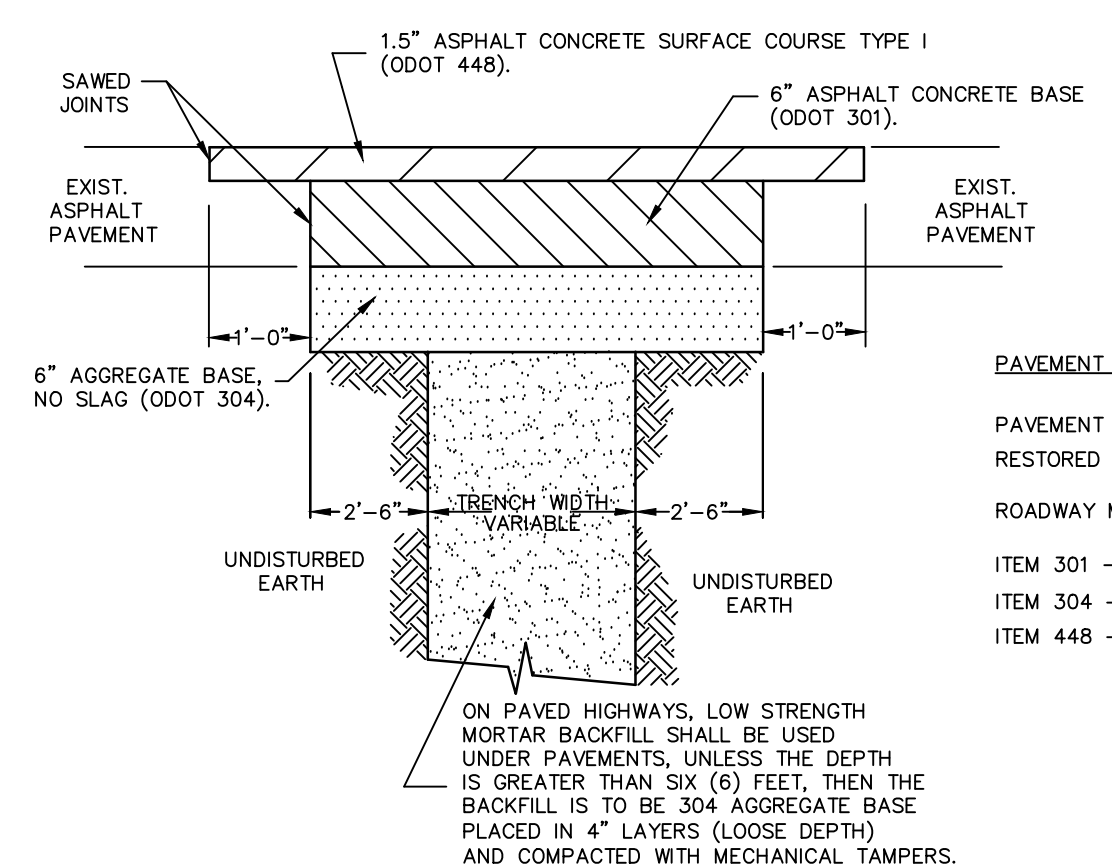


- ITEMS:**
- ① ITEM 448 - 1-1/2" ASPHALT CONCRETE SURFACE COURSE, TYPE 1 PG 64-22. (COURSE AGGREGATE IN MIX SHALL BE CRUSHED LIMESTONE)
 - ② ITEM 408 - PRIME COAT @ 0.40 GAL/SY
 - ③ ITEM 301 - 5" ASPHALT CONCRETE BASE
 - ④ ITEM 304 - 6" AGGREGATE BASE
 - ⑤ ITEM 605 - 4" DIA. PERFORATED UNDERDRAIN (SEE TYPE 3 CONCRETE CURB AND GUTTER DETAIL THIS SHEET)
 - ⑥ ITEM 609 - 2'-6" CONCRETE CURB & GUTTER TYPE 3
 - ⑦ ITEM 653 - TOPSOIL FURNISHED & PLACED
 - ⑧ ITEM 659 - SEEDING AND MULCHING, CLASS 1
 - ⑨ ITEM 608 - CONCRETE WALK (SEE DETAIL THIS SHEET)
 - ⑩ ITEM 204 - SUBGRADE COMPACTION & PROOF ROLLING
 - ⑪ ITEM 407 - TACK COAT @ 0.075 GAL./S.Y.
- ASPHALT SHALL MEET CURRENT ODOT CONSTRUCTION & MATERIAL SPECIFICATIONS WITH ANY AMENDMENTS BY COSE.

O.D.O.T. SPECIFICATION REFERENCE

TYPICAL PAVEMENT SECTION
N.T.S.

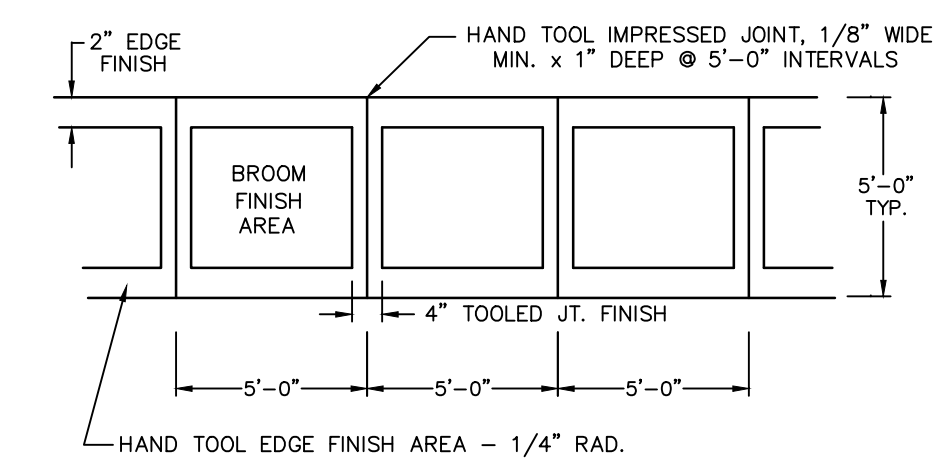
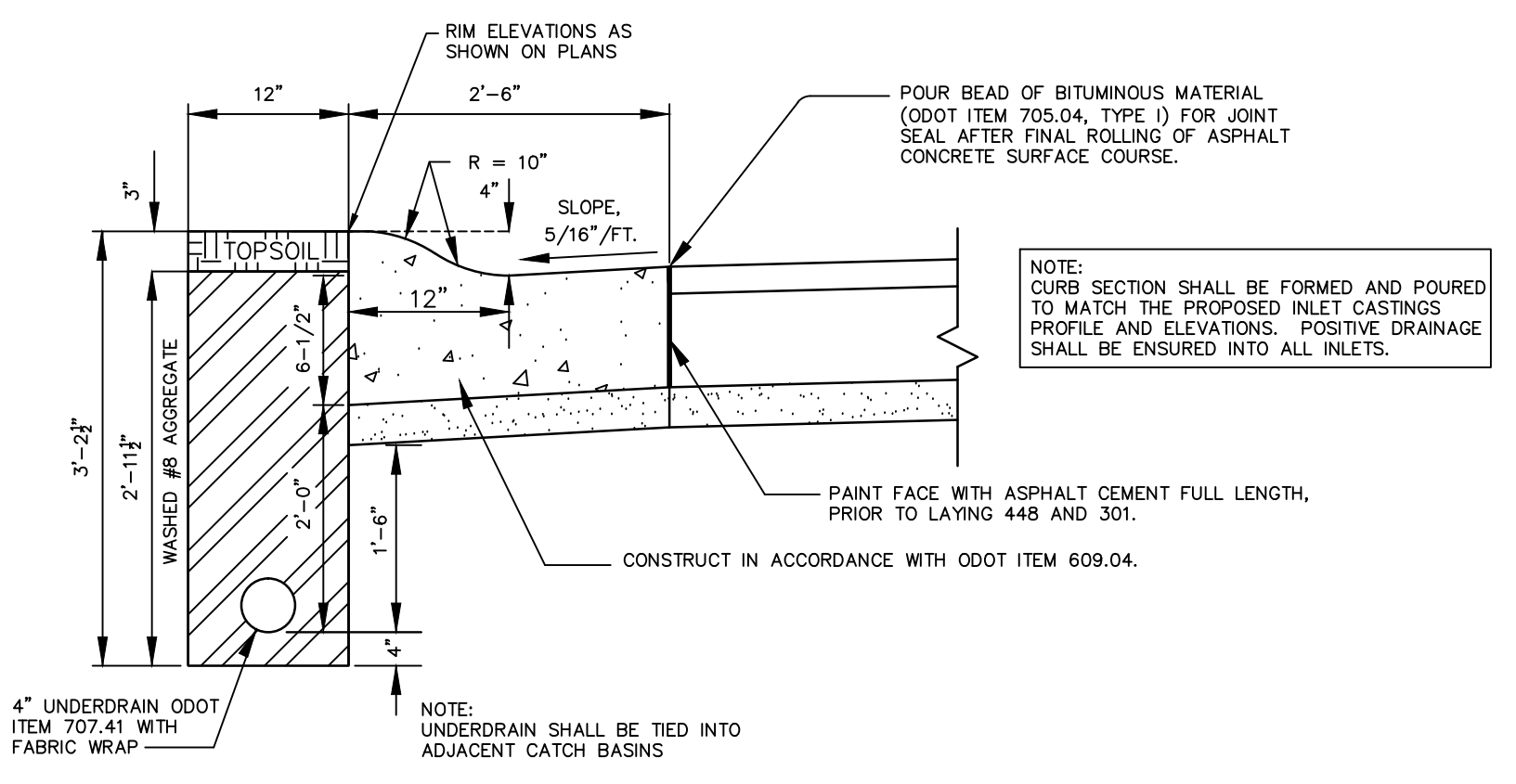


PAVEMENT AND BERM RESTORATION

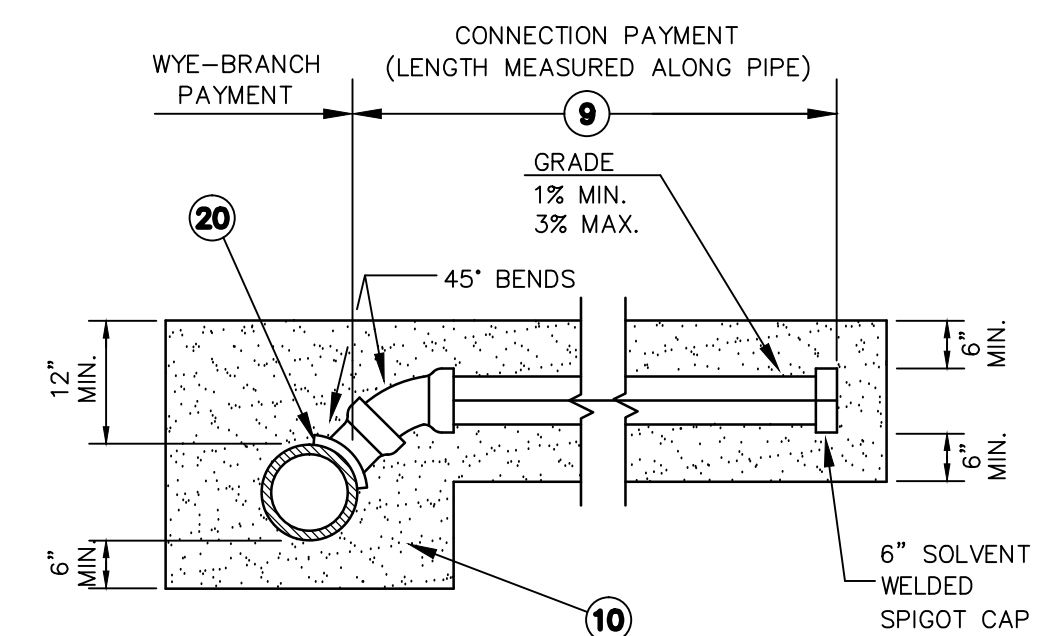
PAVEMENT THAT IS DISTURBED DURING CONSTRUCTION SHALL BE RESTORED PER THE PAVEMENT RESTORATION DETAIL.

ROADWAY MATERIAL COMPOSITION

- ITEM 301 - 6" ASPHALT CONCRETE BASE
- ITEM 304 - 6" AGGREGATE BASE
- ITEM 448 - 1.5" ASPHALT CONCRETE SURFACE COURSE TYPE I, PG 64-22

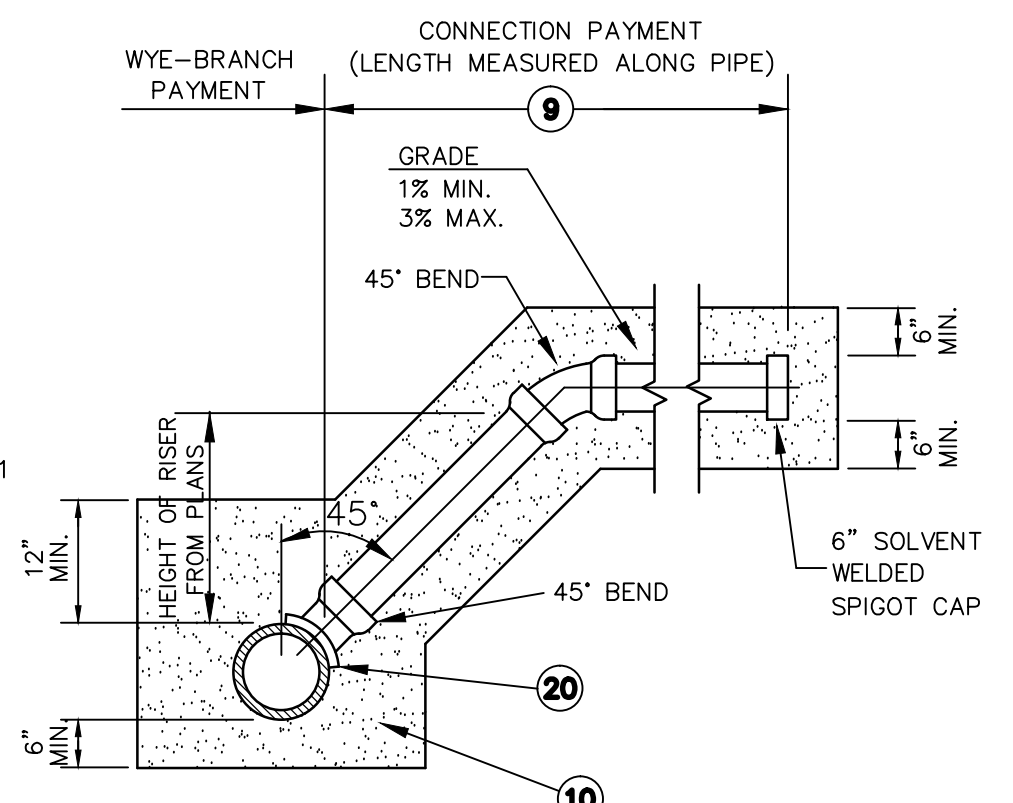


TYPICAL WALK FINISH & JOINTS
N.T.S.

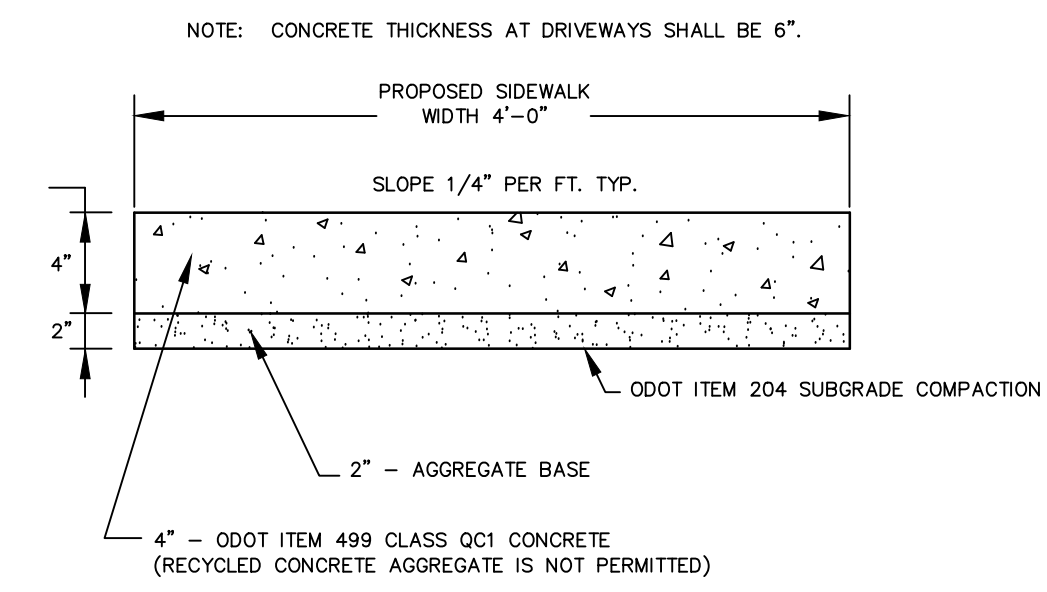


STORM WYE-BRANCH AND CONNECTION DETAIL
NOT TO SCALE

- LEGEND**
- ⑨ - 6" Dia. P.V.C. RISER OR CONNECTION
 - ⑩ - CRUSHED STONE AGGREGATE No. 67 THOROUGHLY COMPACTED (NO SLAG), INSTALLED PER ASTM D-2321
 - ⑳ - WYE BRANCH
A) P.V.C. SEWER: PREFORMED WYE BRANCH
B) R.C.P. SEWER: RUBBER BOOT OR CAST IRON SADDLE



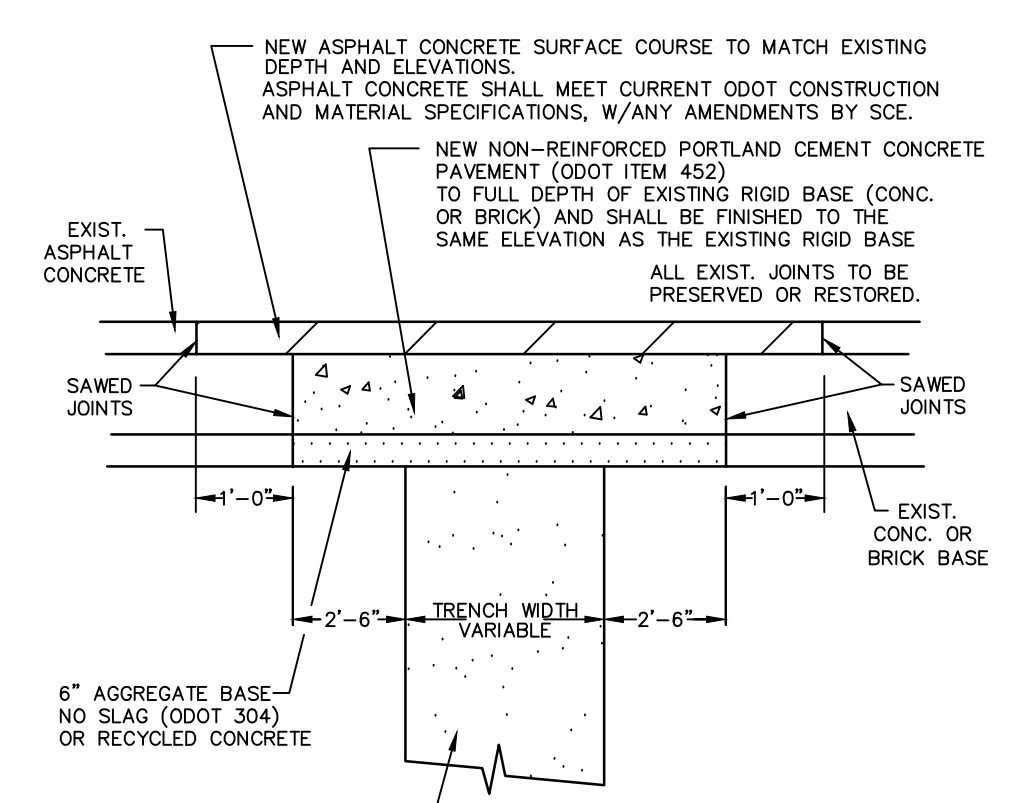
STORM RISER DETAIL
NOT TO SCALE



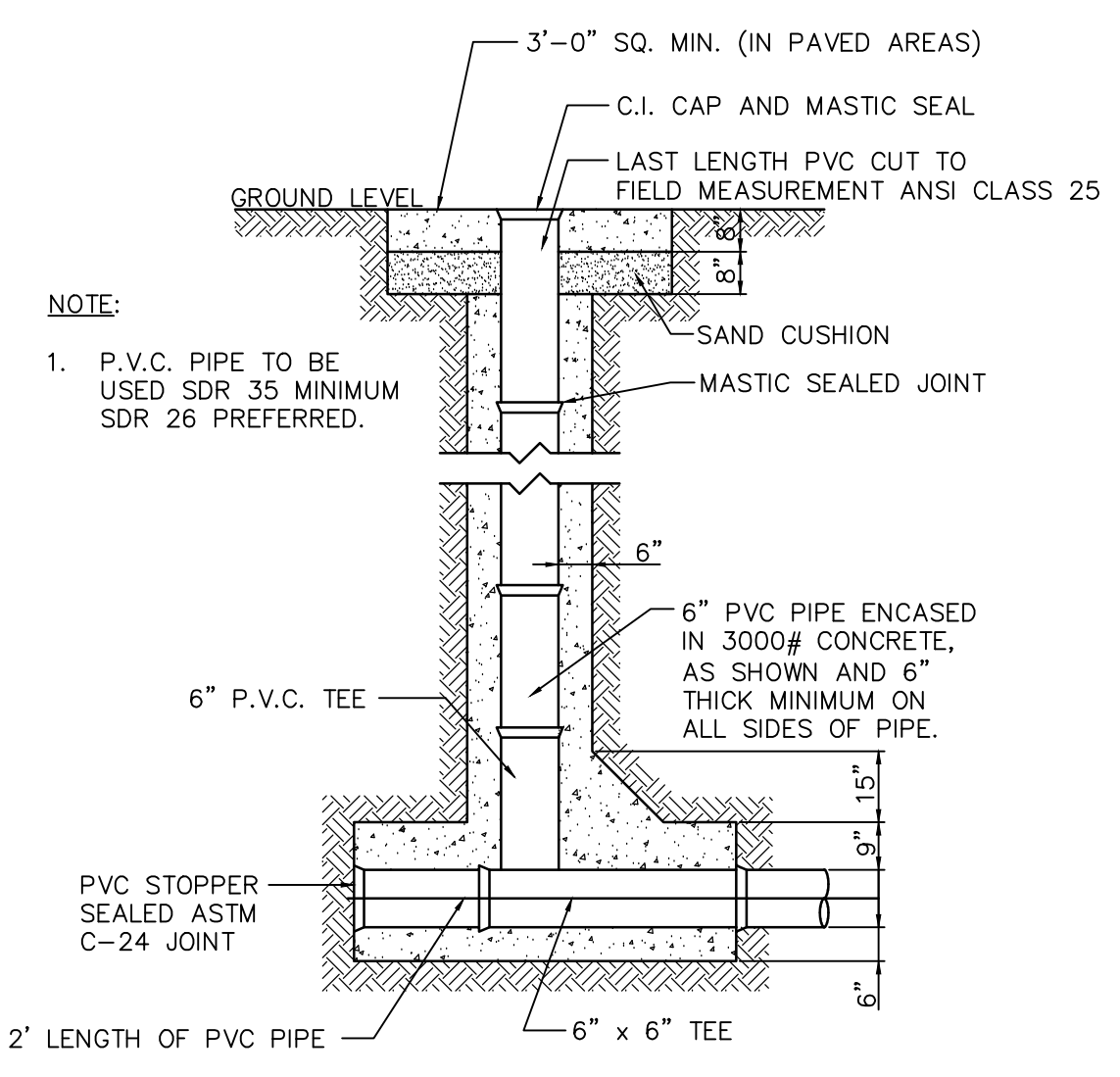
CONCRETE SIDEWALK SHALL MEET THE REQUIREMENTS OF ODOT ITEM 608. PRIOR TO THE START OF SIDEWALK CONSTRUCTION THE SUBGRADE MUST BE INSPECTED AND APPROVED BY SCE PERSONNEL. ANY SETTLEMENT OR DEFICIENT AREAS IDENTIFIED BY SCE SHALL BE REPAIRED BY A METHOD ACCEPTABLE TO SCE. THE REPAIRED AREAS WILL BE SUBJECT TO COMPACTION TESTING AND APPROVAL BY SCE PRIOR TO THE START OF SIDEWALK CONSTRUCTION.

STA. 59+05.79 TO STA. 59+33.08 DUXBURY DRIVE
 STA. 107+21.60 TO STA. 107+31.60 HARVESTER DRIVE
 STA. 113+07.37 TO STA. 113+98.14 HARVESTER DRIVE

4" CONCRETE WALK, AS PER PLAN
N.T.S.



PAVEMENT OPENING FOR RIGID PAVEMENT
N.T.S.



TYPICAL STORM CLEANOUT DETAIL
N.T.S.

REV.	DATE	DESCRIPTION
06/10/16		REVISED PER AGENCY COMMENTS
7/11/16		REVISED PER COUNTY COMMENTS

THE PRESERVE AT MILLER'S FARM
 PHASE 3
 SE CORNER OF SR 18 AND MEDINA LINE RD
 COPLEY, OHIO 44321

DETAILS

ISSUED FOR:	
PERMIT	04-06-2016
BID	
CONSTRUCTION	
AS-BUILT	
PROJECT MANAGER	DESIGNER
MAL	ALF

JOB NO.
2013258.03

27/29