

DATE OF REVISION OF TRANSMITTAL
1-10-01
7-10-02
7-10-06
7-20-06
7-20-12
11-13
11-15

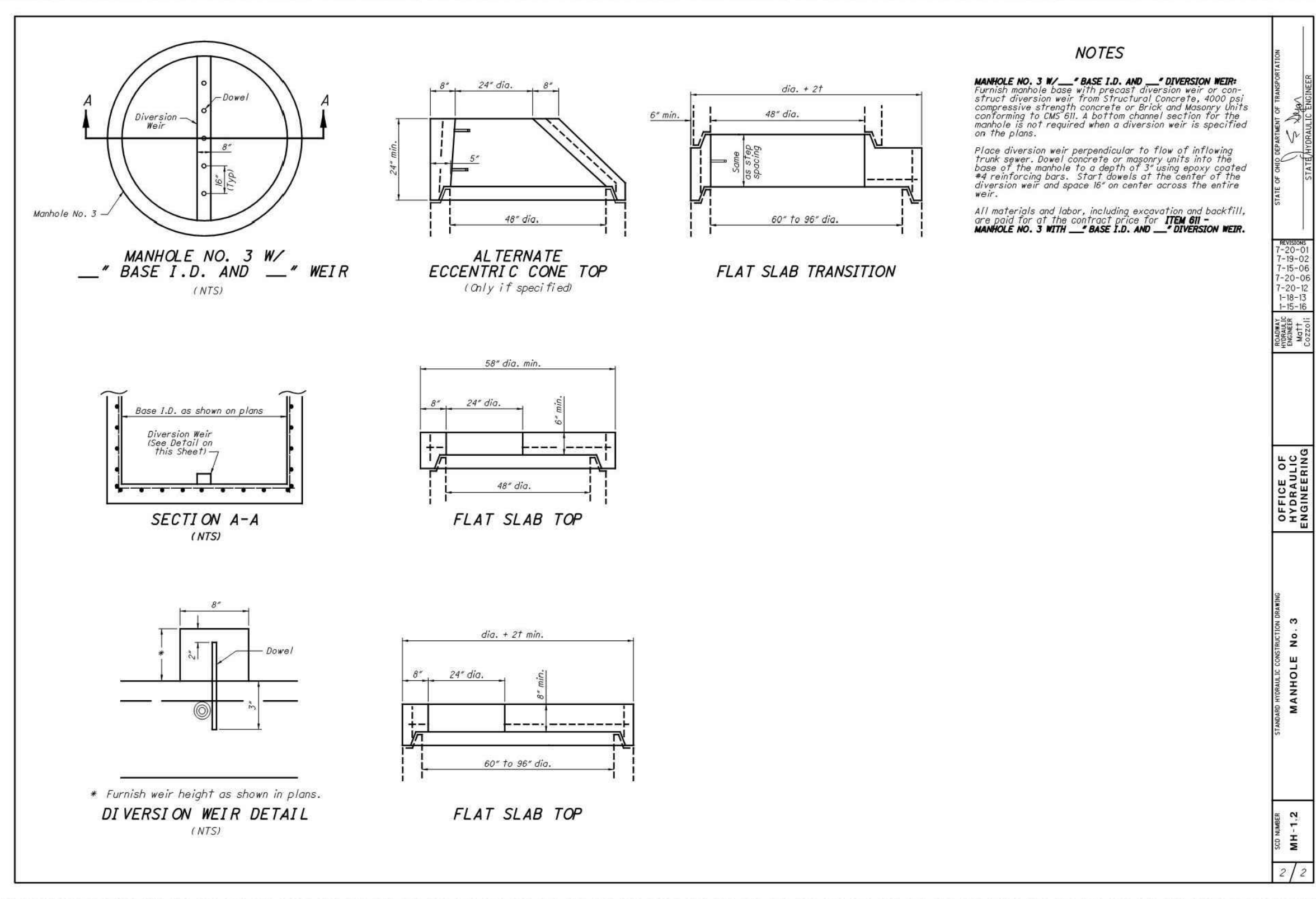
DESIGNED BY
CHECKED BY
DATE OF REVISION
1-10-01
7-10-02
7-10-06
7-20-06
7-20-12
11-13
11-15

OFFICE OF ENGINEERING
MANHOLE No. 3

STANDARD SPECIFIC CONNECTION NUMBER
MANHOLE No. 3

REV. NUMBER
MH-1.2

1 / 2



DATE OF REVISION OF TRANSMITTAL
1-10-01
7-10-02
7-10-06
7-20-06
7-20-12
11-13
11-15

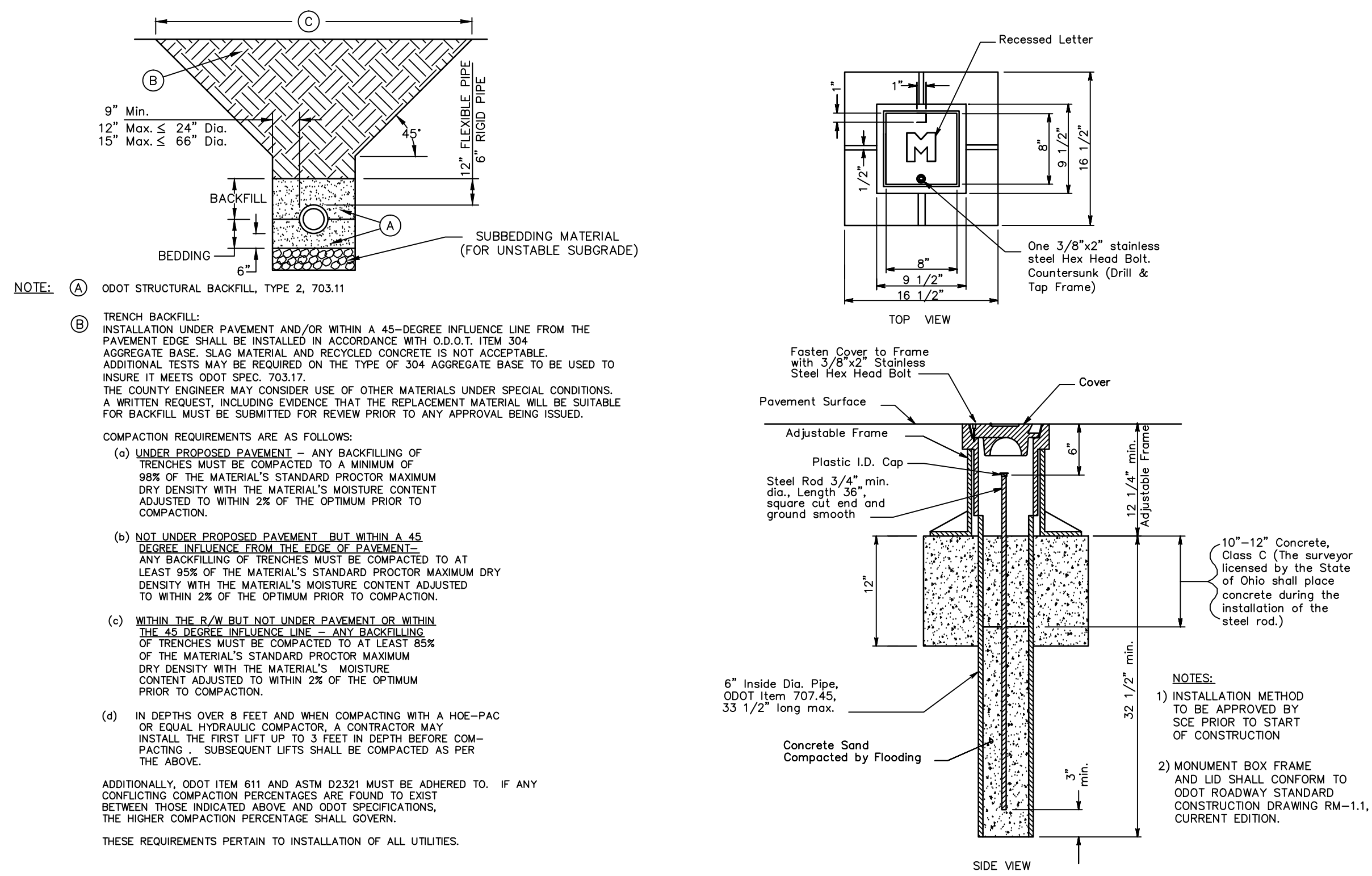
DESIGNED BY
CHECKED BY
DATE OF REVISION
1-10-01
7-10-02
7-10-06
7-20-06
7-20-12
11-13
11-15

OFFICE OF ENGINEERING
MANHOLE No. 3

STANDARD SPECIFIC CONNECTION NUMBER
MANHOLE No. 3

REV. NUMBER
MH-1.2

2 / 2



REV.	DATE	DESCRIPTION
06/10/16	7/11/16	REVISED PER AGENCY COMMENTS
		REVISED PER COUNTY COMMENTS

THE PRESERVE AT MILLER'S FARM
PHASE 3
SE CORNER OF SR 18 AND MEDINA LINE RD
COPLEY, OHIO 44321

DETAILS

ISSUED FOR:	
PERMIT	04-06-2016
BID	
CONSTRUCTION	
AS-BUILT	
PROJECT MANAGER	DESIGNER
MAL	ALF

JOB NO.
2013258.03

26/29