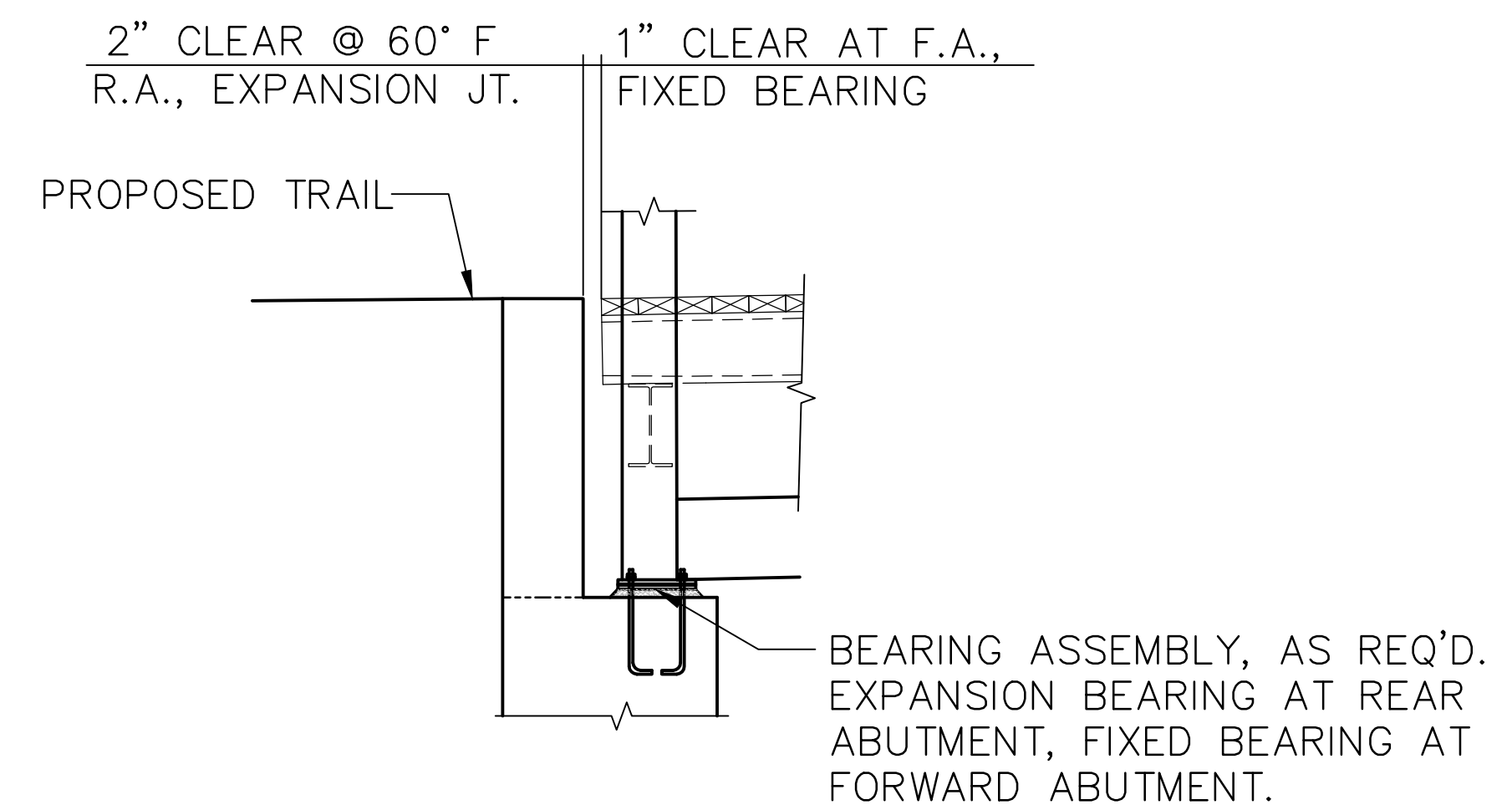
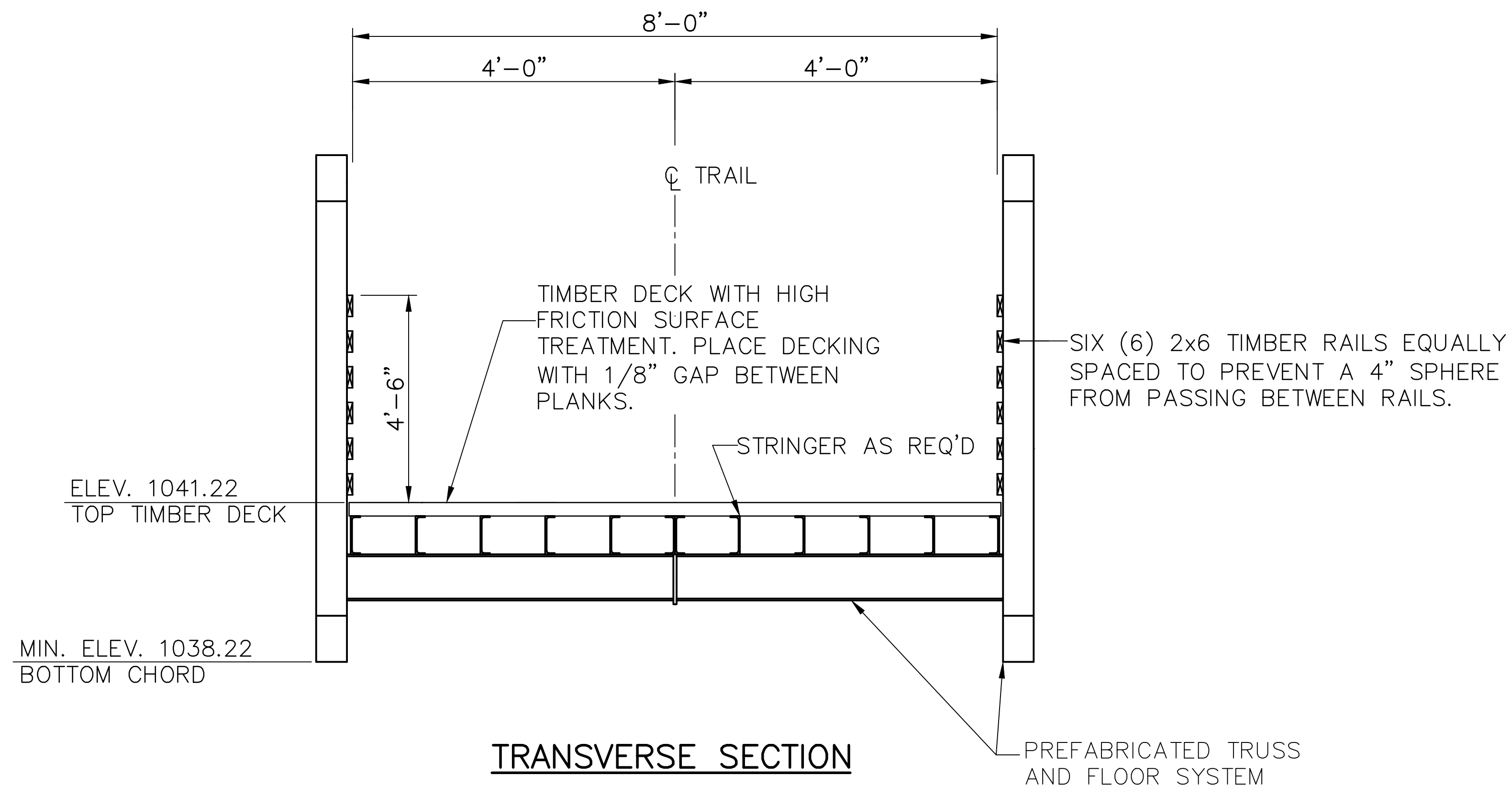


**NOTES**

1. ALL PREFABRICATED BRIDGE MEMBER SIZES, SPACINGS, CONNECTIONS, ETC. SHALL BE DETERMINED BY THE MANUFACTURER'S DESIGN.
2. FOR BEARING ANCHOR BOLT ASSEMBLY DETAILS, SEE PLANS PREPARED BY TRUSS MANUFACTURER.



REV.	DATE	DESCRIPTION
1	06/02/14	REVISED PER LOCAL AGENCY COMMENTS
2	06/27/14	REVISED PER LOCAL AGENCY COMMENTS
3	07/18/14	REVISED PER LOCAL AGENCY COMMENTS
4	07/25/14	REVISED PER LOCAL AGENCY COMMENTS
5	08/01/14	MILLER PARCEL UTILITY UPDATE
6	08/05/14	COMMENTS FOR GRADING APPROVAL
7	08/20/14	REVISED PER LOCAL AGENCY COMMENTS
8	08/22/14	SANITARY REVISION MH 300'-302
9	09/12/14	REVISED PER LOCAL AGENCY COMMENTS

THE PRESERVE AT MILLER'S FARM  
 SE CORNER OF SR 18 AND MEDINA LINE RD  
 COPLEY, OHIO 44321

**BRIDGE**  
 (FOR INFORMATIONAL  
 PURPOSES ONLY)  
 DETAILS

ISSUED FOR:	
PERMIT	06-02-14
BID	06-02-14
CONSTRUCTION	09-16-14
RECORD	-

PROJECT MANAGER	DESIGNER
MAL	DGN

JOB NO.  
**2013258.00**

**81/81**