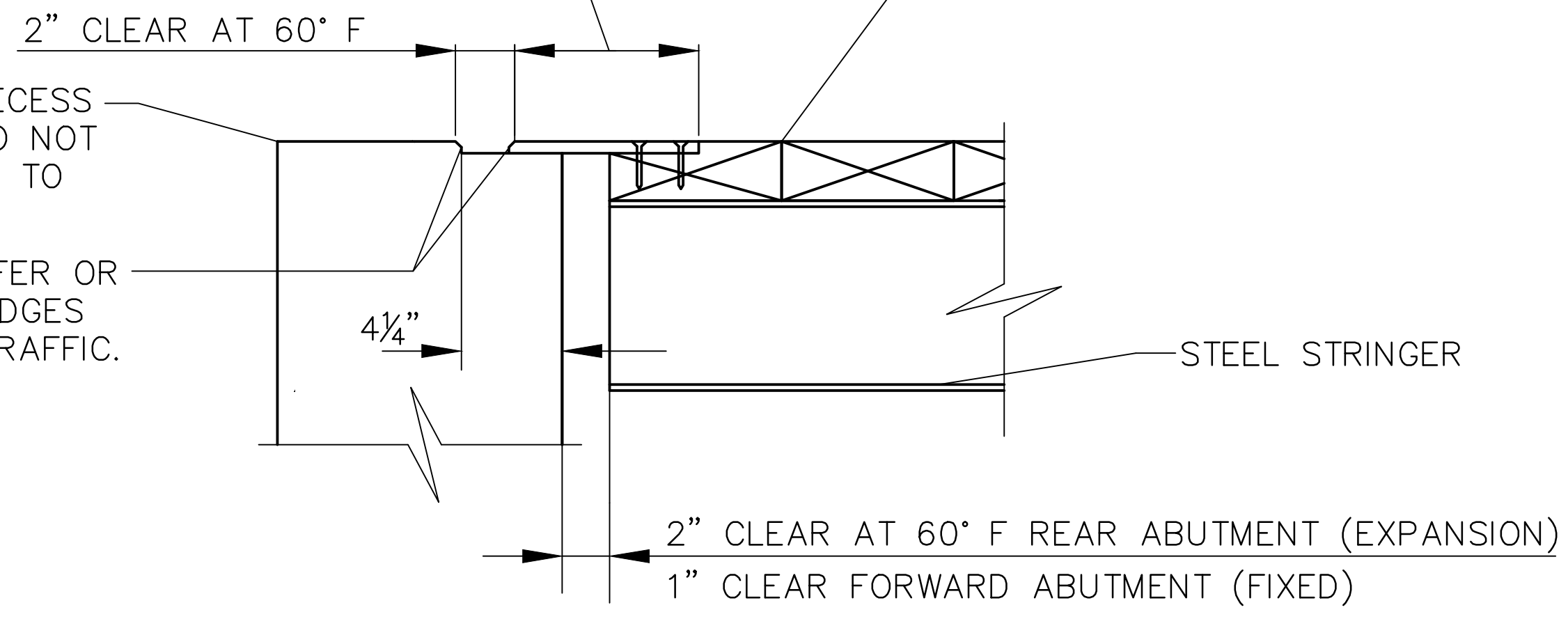


1/2" x 8" GALVANIZED STEEL EXPANSION JOINT SLIDING COVER PLATE FASTENED TO TIMBER DECKING WITH TWO STAGGERED LINES OF GALVANIZED 2" #14 FLAT HEAD WOOD SCREWS SPACED AT 8" IN EACH LINE.

CONCRETE ABUTMENT BACKWALL WITH RECESS FOR EXPANSION JOINT SLIDING PLATE. DO NOT CHAMFER BACK SIDE OF WALL ADJACENT TO APPROACH TRAIL PAVEMENT.

PROVIDE 1/4" CHAMFER OR ROUNDING AT TWO EDGES EXPOSED TO FOOT TRAFFIC.

TIMBER DECKING. END BOARD TO HAVE 1/2" x 3 3/4" RECESS FOR FLUSH STEEL EXPANSION JOINT PLATE



PORTIONS OF SUPERSTRUCTURE, ABUTMENT BACKWALL REINFORCING AND DECKING FASTENERS ARE NOT SHOWN.

LEGEND

- C.J. CONSTRUCTION JOINT.
- DIA. DIAMETER
- B.S. BOTH SIDES
- F.A. FORWARD ABUTMENT
- F.S. FAR SIDE
- N.P.C.P.P. NON-PERFORATED CORRUGATED PLASTIC PIPE
- N.S. NEAR SIDE
- P.C.P.P. PERFORATED CORRUGATED PLASTIC PIPE
- R.A. REAR ABUTMENT
- SPA. SPACES
- TYP. TYPICAL

REV.	DATE	DESCRIPTION
1	06/02/14	REVISED PER LOCAL AGENCY COMMENTS
2	06/27/14	REVISED PER LOCAL AGENCY COMMENTS
3	07/18/14	REVISED PER LOCAL AGENCY COMMENTS
4	07/25/14	REVISED PER LOCAL AGENCY COMMENTS
5	08/01/14	MILLER PARCEL UTILITY UPDATE
6	08/05/14	COMMENTS FOR GRADING APPROVAL
7	08/20/14	REVISED PER LOCAL AGENCY COMMENTS
8	08/22/14	SANITARY REVISION MH 300-302
9	09/12/14	REVISED PER LOCAL AGENCY COMMENTS

THE PRESERVE AT MILLER'S FARM
 SE CORNER OF SR 18 AND MEDINA LINE RD
 COPLEY, OHIO 44321

BRIDGE
 (FOR INFORMATIONAL PURPOSES ONLY)
 DETAILS

ISSUED FOR:	
PERMIT	06-02-14
BID	06-02-14
CONSTRUCTION	09-16-14
RECORD	-

PROJECT MANAGER	DESIGNER
MAL	DGN

JOB NO.
2013258.00

80/81