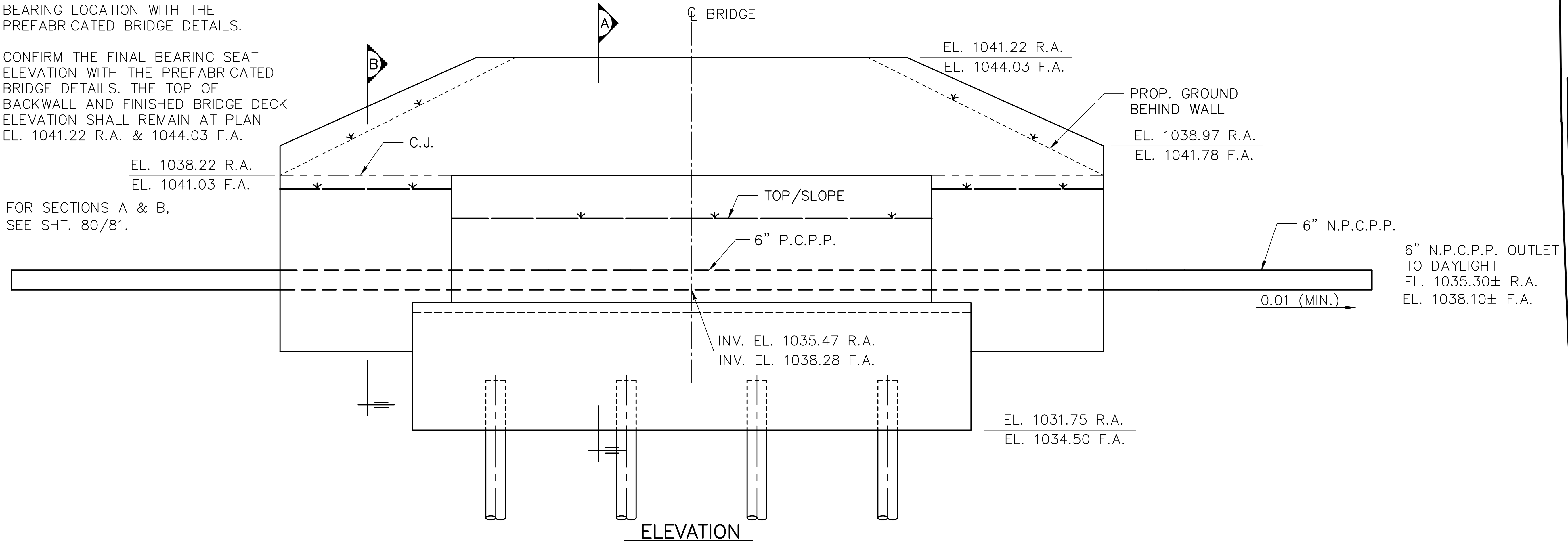


- LEGEND**
- HELICAL SCREW PILE
 - ▽ HELICAL SCREW PILE BATTERED AT 4:1

NOTES

1. DUE TO THE VARIABILITY OF THE ACTUAL CENTERLINE OF BEARING LOCATION AMONG PREFABRICATED BRIDGEMANUFACTURERS, THE HORIZONTAL REFERENCE LINE FOR CONSTRUCTION OF THE REAR ABUTMENT SHALL BE THE FACE OF BACKWALL. VERIFY THE ACTUAL SUPERSTRUCTURE CENTERLINE OF BEARING LOCATION WITH THE PREFABRICATED BRIDGE DETAILS.
2. CONFIRM THE FINAL BEARING SEAT ELEVATION WITH THE PREFABRICATED BRIDGE DETAILS. THE TOP OF BACKWALL AND FINISHED BRIDGE DECK ELEVATION SHALL REMAIN AT PLAN EL. 1041.22 R.A. & 1044.03 F.A.
3. FOR SECTIONS A & B, SEE SHT. 80/81.



REV.	DATE	DESCRIPTION
1	06/02/14	REVISED PER LOCAL AGENCY COMMENTS
2	06/27/14	REVISED PER LOCAL AGENCY COMMENTS
3	07/18/14	REVISED PER LOCAL AGENCY COMMENTS
4	07/25/14	REVISED PER LOCAL AGENCY COMMENTS
5	08/01/14	MILLER PARCEL UTILITY UPDATE
6	08/05/14	COMMENTS FOR GRADING APPROVAL
7	08/20/14	REVISED PER LOCAL AGENCY COMMENTS
8	08/22/14	SANITARY REVISION MH 300'-302'
9	09/12/14	REVISED PER LOCAL AGENCY COMMENTS

THE PRESERVE AT MILLER'S FARM
 SE CORNER OF SR 18 AND MEDINA LINE RD
 COPLEY, OHIO 44321

BRIDGE
 (FOR INFORMATIONAL PURPOSES ONLY)
 DETAILS

ISSUED FOR:	
PERMIT	06-02-14
BID	06-02-14
CONSTRUCTION	09-16-14
RECORD	-

PROJECT MANAGER	DESIGNER
MAL	DGN

JOB NO.
2013258.00

79/81