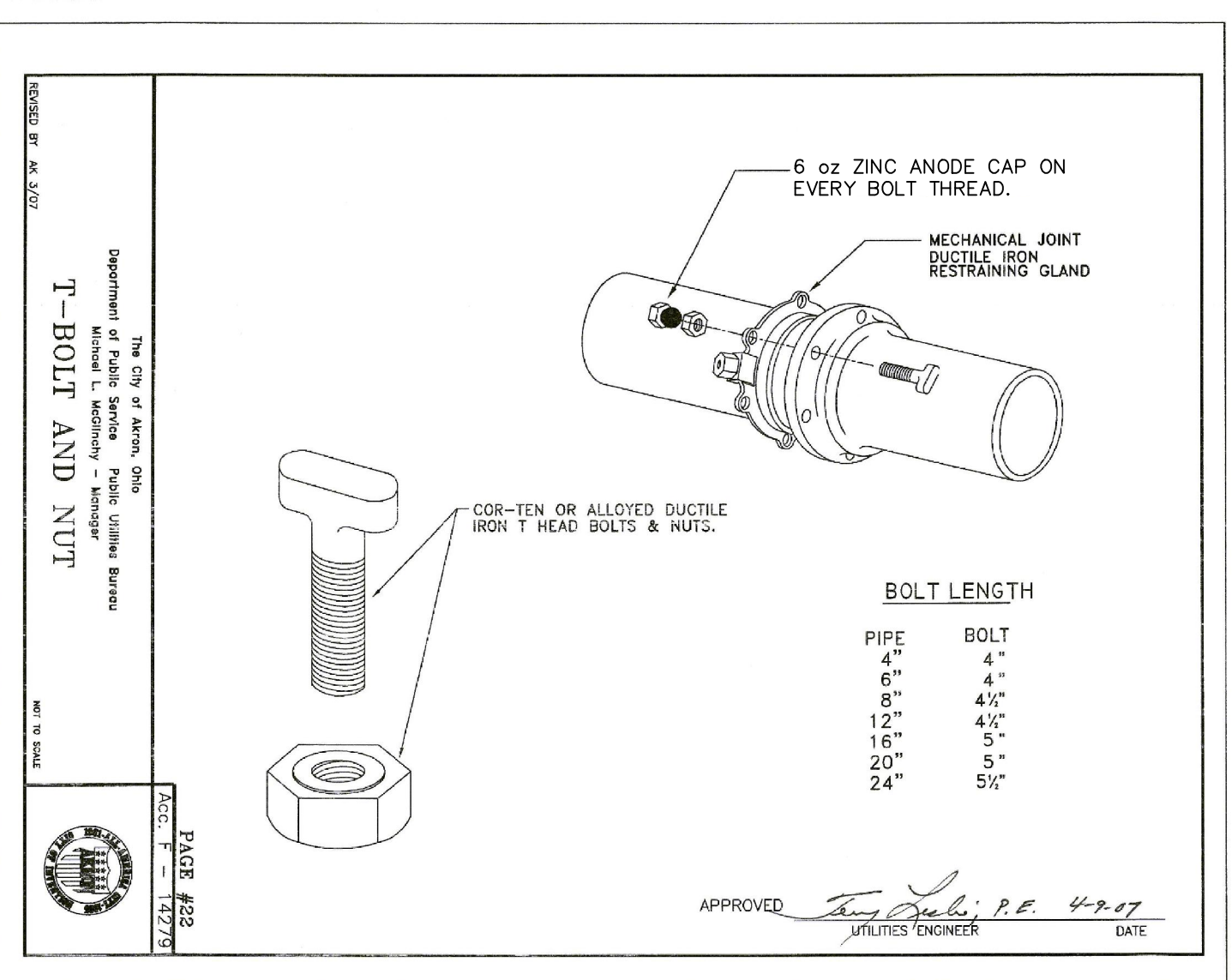


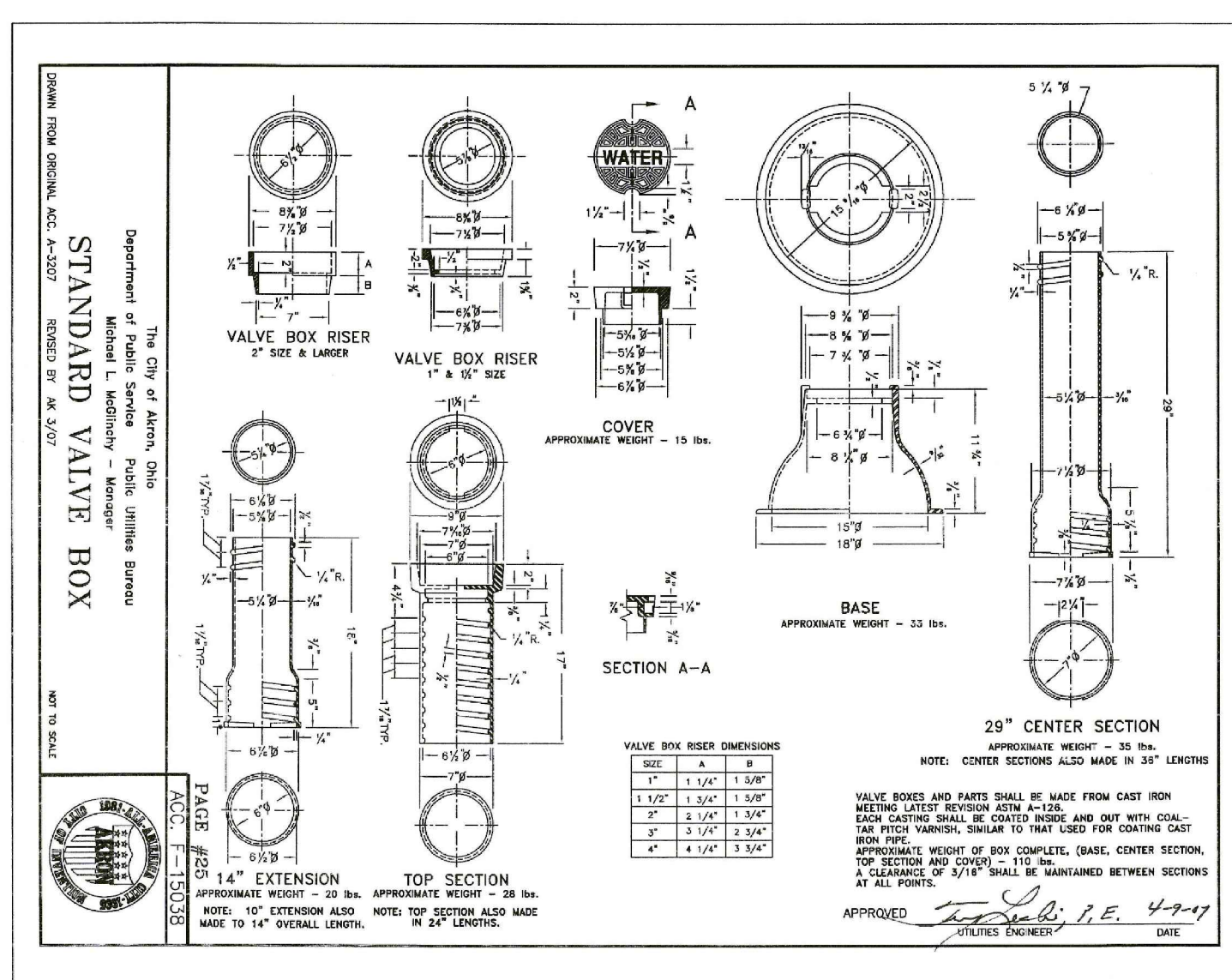
The City of Akron, Ohio
 Department of Public Service - Public Utilities Bureau
 Michael L. McElroy - Manager
STANDARD FOR CURB METER SETTING
 REVISED BY AK 3/07
 NOT TO SCALE



The City of Akron, Ohio
 Department of Public Service - Public Utilities Bureau
 Michael L. McElroy - Manager
T-BOLT AND NUT
 REVISED BY AK 3/07

BOLT LENGTH

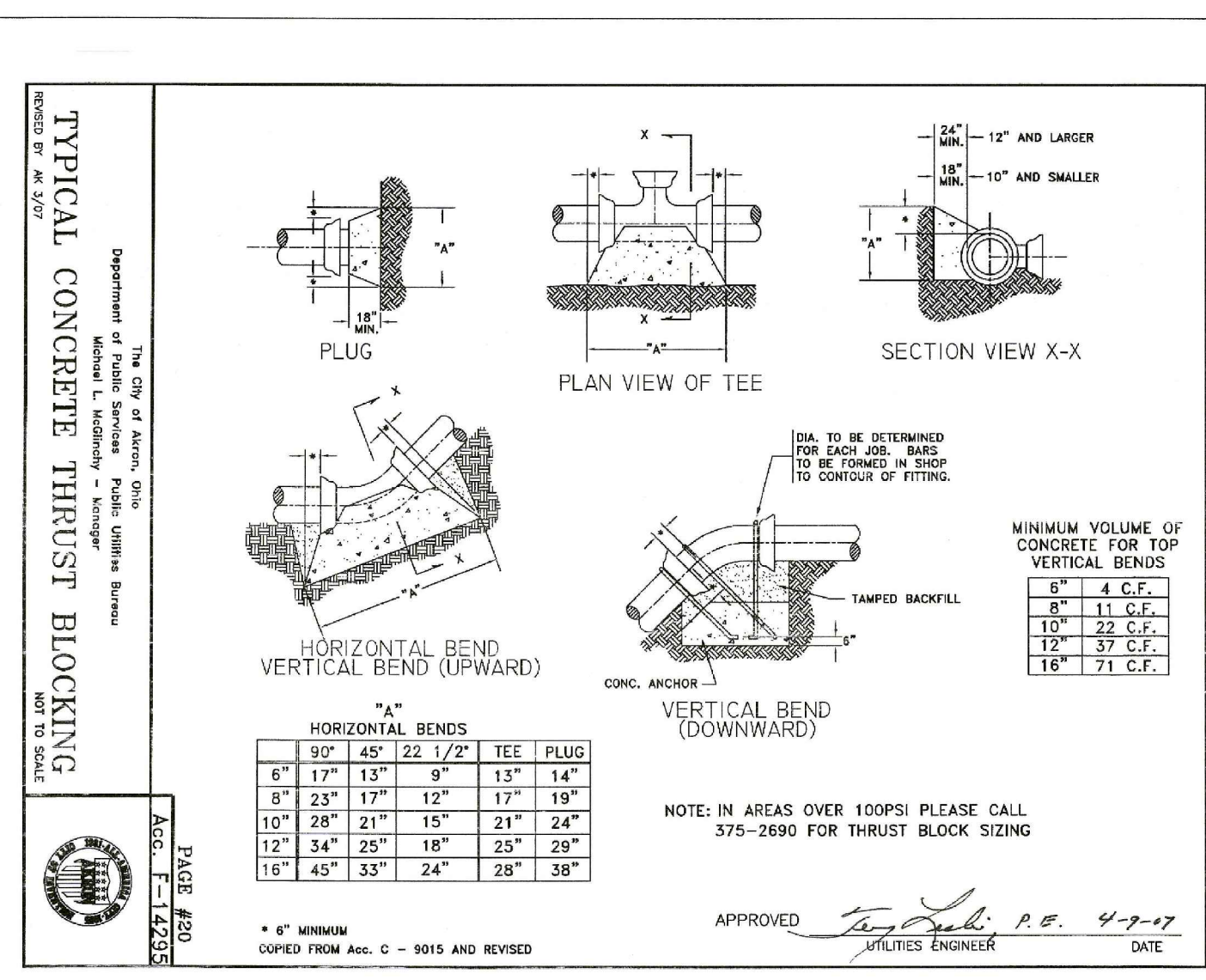
PIPE	BOLT
4"	4"
6"	4"
8"	4 1/2"
12"	4 1/2"
16"	5"
20"	5"
24"	5 1/2"



The City of Akron, Ohio
 Department of Public Service - Public Utilities Bureau
 Michael L. McElroy - Manager
STANDARD VALVE BOX
 REVISED BY AK 3/07

VALVE BOX RISER DIMENSIONS

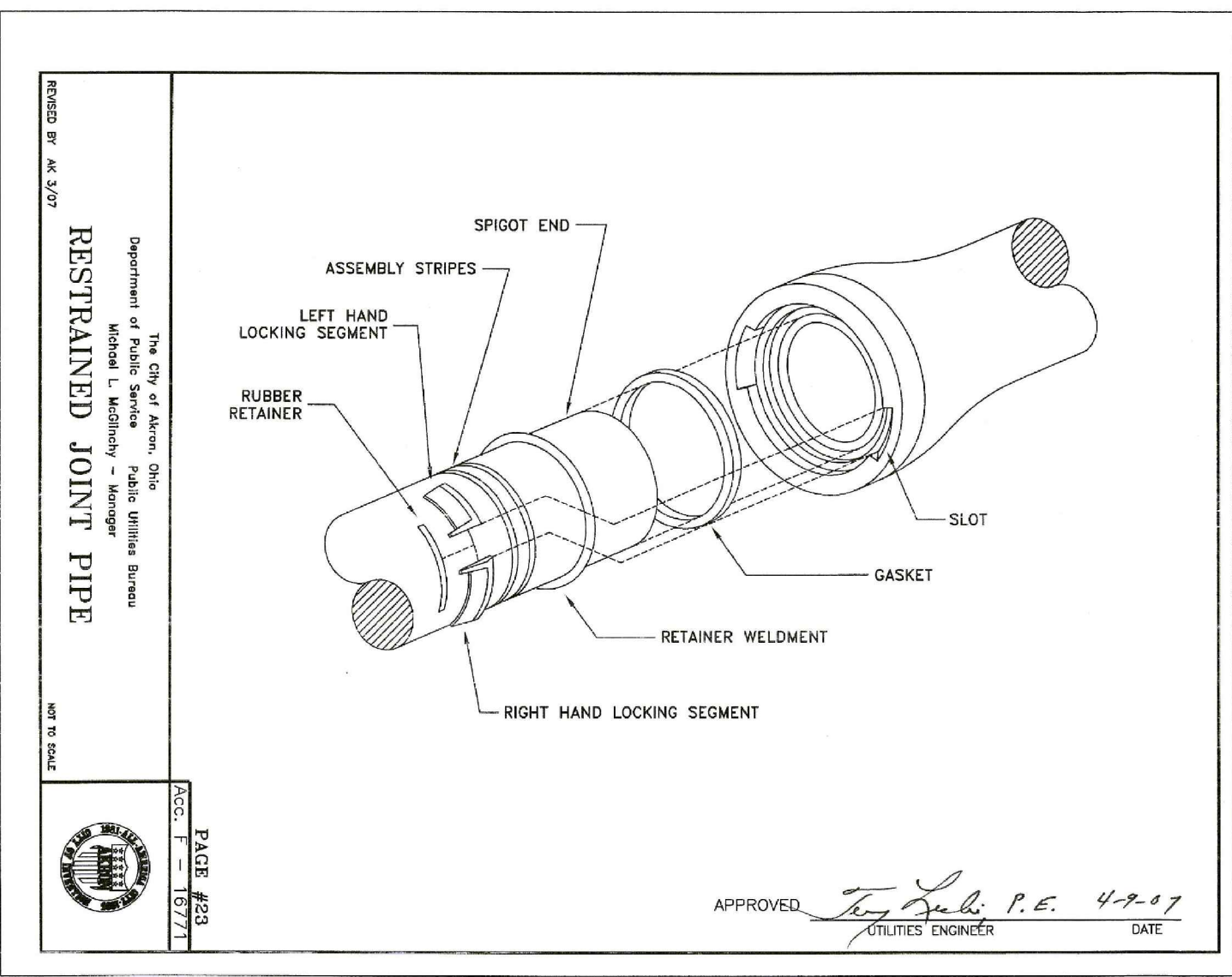
SIZE	A	B
1 1/2"	1.50"	1.50"
2"	2.00"	2.00"
3"	3.00"	3.00"
4"	4.00"	4.00"



The City of Akron, Ohio
 Department of Public Service - Public Utilities Bureau
 Michael L. McElroy - Manager
TYPICAL CONCRETE THRUST BLOCKING
 REVISED BY AK 3/07

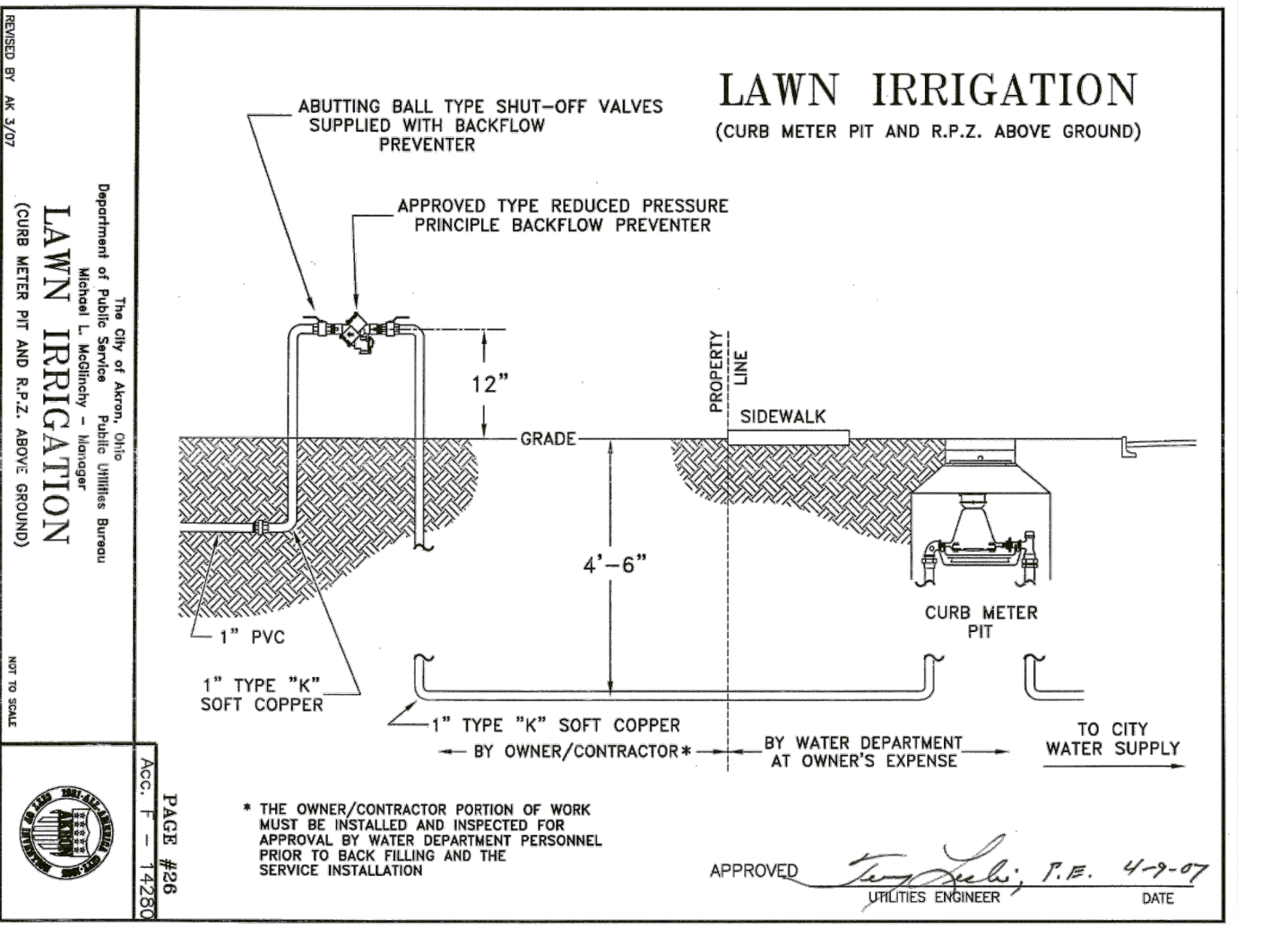
MINIMUM VOLUME OF CONCRETE FOR TOP VERTICAL BENDS

6"	4 C.F.
8"	11 C.F.
10"	22 C.F.
12"	39 C.F.
16"	71 C.F.



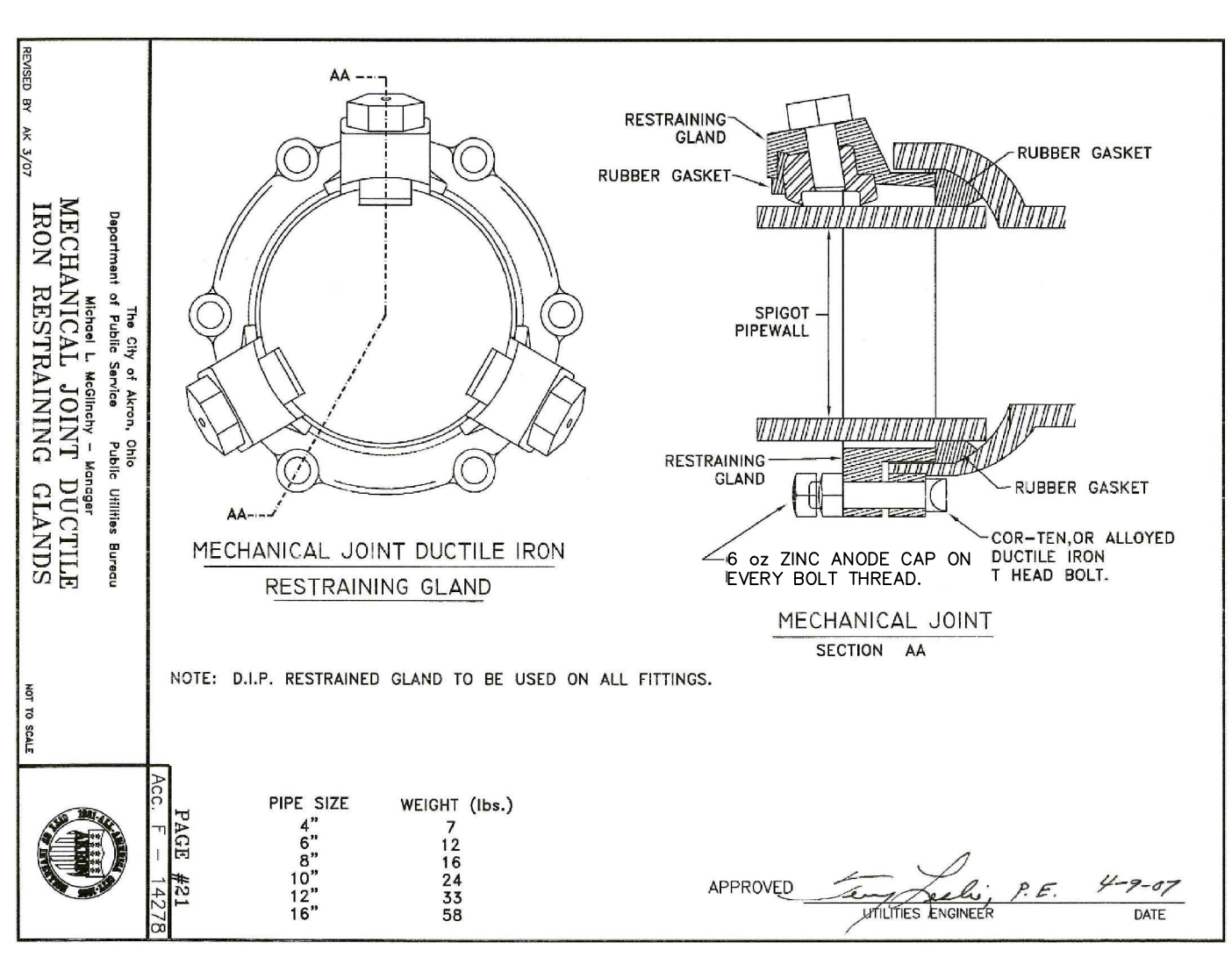
The City of Akron, Ohio
 Department of Public Service - Public Utilities Bureau
 Michael L. McElroy - Manager
RESTRAINED JOINT PIPE
 REVISED BY AK 3/07

APPROVED *[Signature]* P.E. 4-9-07
 UTILITIES ENGINEER DATE



The City of Akron, Ohio
 Department of Public Service - Public Utilities Bureau
 Michael L. McElroy - Manager
LAWN IRRIGATION
 (CURB METER PIT AND R.P.Z. ABOVE GROUND)
 REVISED BY AK 3/07

APPROVED *[Signature]* P.E. 4-9-07
 UTILITIES ENGINEER DATE

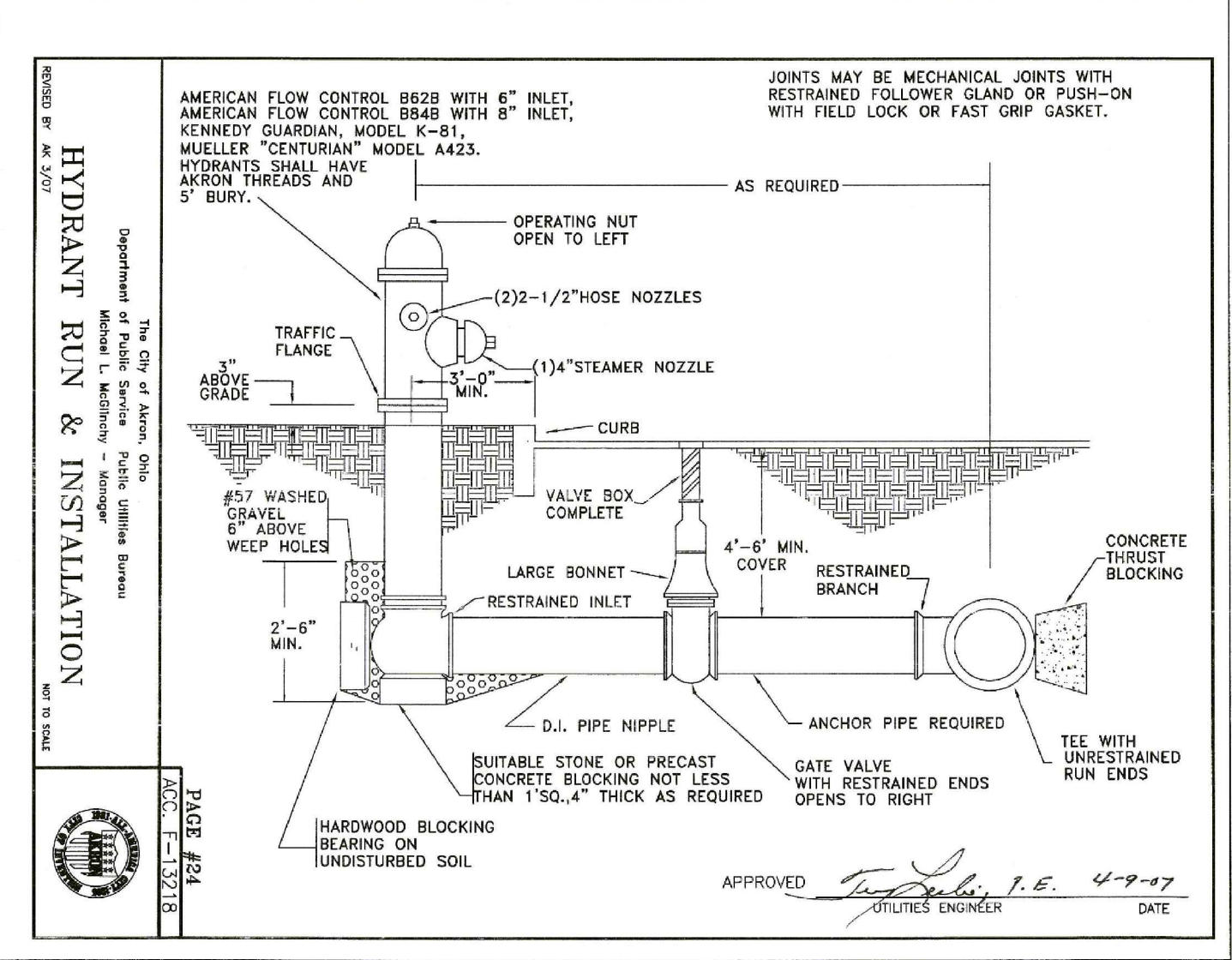


The City of Akron, Ohio
 Department of Public Service - Public Utilities Bureau
 Michael L. McElroy - Manager
MECHANICAL JOINT DUCTILE IRON RESTRAINING GLANDS
 REVISED BY AK 3/07

PIPE SIZE WEIGHT (lbs.)

4"	7
6"	12
8"	16
10"	24
12"	33
16"	58

APPROVED *[Signature]* P.E. 4-9-07
 UTILITIES ENGINEER DATE



The City of Akron, Ohio
 Department of Public Service - Public Utilities Bureau
 Michael L. McElroy - Manager
HYDRANT RUN & INSTALLATION
 REVISED BY AK 3/07

APPROVED *[Signature]* P.E. 4-9-07
 UTILITIES ENGINEER DATE

CITY OF AKRON PUBLIC UTILITIES BUREAU
BACKFLOW PREVENTION PROGRAM
 (330) 375-2690

REDUCED PRESSURE PRINCIPLE BACKFLOW PREVENTION ASSEMBLY
Installation Requirements

- All piping to conform to Akron Water Works Standard Construction Drawings and Specifications.
- Bypassing of this assembly is specifically prohibited.
- Installation of this assembly in vaults is specifically prohibited.
- Unions prior to backflow prevention assemblies are prohibited.
- Installed directly after the meter setting ahead of any outlets.
- Installed so as to be readily accessible for inspection, testing, and maintenance.
- Provided with adequate space for inspection, testing, maintenance, and disassembly.
- Protected from freezing by installation within a heated building.
- Mounted in a horizontal position with abutting shut-off valves, as supplied with the assembly, three feet above finished floor.
- Provided with adequate drainage.
- Installed so that there is a visible free discharge from the relief port with no extension piping.
- Installed as per manufacturer's specifications. Where manufacturer's specifications conflict with these guidelines, these guidelines shall govern.
- Because of their design, backflow prevention assemblies create a closed system and a detectable pressure loss. Because of these facts, the installation may alter the hydraulics of the internal plumbing system. The owner should contact a mechanical designer prior to installation.
- Upon installation, assemblies must be tested by a backflow prevention assembly tester, certified by the Ohio Department of Commerce. The assembly must be dismantled, inspected internally, cleaned, and repaired, if necessary.

REV.	DATE	DESCRIPTION
1	06/02/14	REVISED PER LOCAL AGENCY COMMENTS
2	06/27/14	REVISED PER LOCAL AGENCY COMMENTS
3	07/18/14	REVISED PER LOCAL AGENCY COMMENTS
4	07/25/14	REVISED PER LOCAL AGENCY COMMENTS
5	08/01/14	MILLER PARCEL UTILITY UPDATE
6	08/05/14	COMMENTS FOR GRADING APPROVAL
7	08/20/14	REVISED PER LOCAL AGENCY COMMENTS
8	08/22/14	SANITARY REVISION MH 300-302
9	09/12/14	REVISED PER LOCAL AGENCY COMMENTS

THE PRESERVE AT MILLER'S FARM
 SE CORNER OF SR 18 AND MEDINA LINE RD
 COPLEY, OHIO 44321

WATER DETAILS

ISSUED FOR:

PERMIT	06-02-14
BID	06-02-14
CONSTRUCTION	09-16-14
RECORD	-

PROJECT MANAGER	DESIGNER
-	-

JOB NO
2013258.00

76/81