

60" to 108" PRECAST BASE
SEE TABLE FOR MAXIMUM PIPE SIZES

48" PRECAST BASE
FOR 30" AND SMALLER PIPE

SECTION VIEWS OF REINFORCED PRECAST MANHOLES

NOTES

GENERAL: With normal soil and site conditions, this standard precast manhole may be used for any required manhole depth. Cast and assemble sections of the precast manhole with either all facing or all edge work up. Lift holes may be provided in each section for handling.
 Leave handling device for the "Top" job in place.

TOP: Provide a flat slab for this section unless an eccentric cone is specified.

TRANSITION FOR REDUCER: This section can be either eccentric cone or flat slab.

BASE: Manhole No. 3 is shown with a monolithic floor and riser which may be cast in one or two operations. A permissible alternative is to cast and slip the floor and riser separately. Provide openings for inlet and outlet pipes, either when the unit is cast in place, to meet project requirements. Bottom channels may be formed of concrete, precast in the base or field constructed as shown on SCD MH-1.1 and MH-1.1.

RISER SECTIONS: Openings for 18" and smaller inlet pipes may be either prefabricated or cut in the field provided the sides of the pipe or the springline do not project into the manhole.

CONNECTIONS: Connections between precast manhole sections and pipes on sanitary sewers may be sealed with resilient connectors conforming to ASTM C 523.

JOINT SEAL: Furnish resilient seal between precast manhole sections on sanitary sewers and flexible gasket joints per CMS 706.11 (ASTM C543).

OPENINGS: The maximum pipe opening is the O.D. of the pipe being installed plus 2" when fabricated or field cut. Fill any voids per CMS 801.

MATERIALS: Provide materials for bases and other precast sections, including reinforcement not specified here, that meet the requirements of CMS 706.13.

DROP PIPE: When specified on the plans, construct drop pipe as shown on SCD MH-1.1.

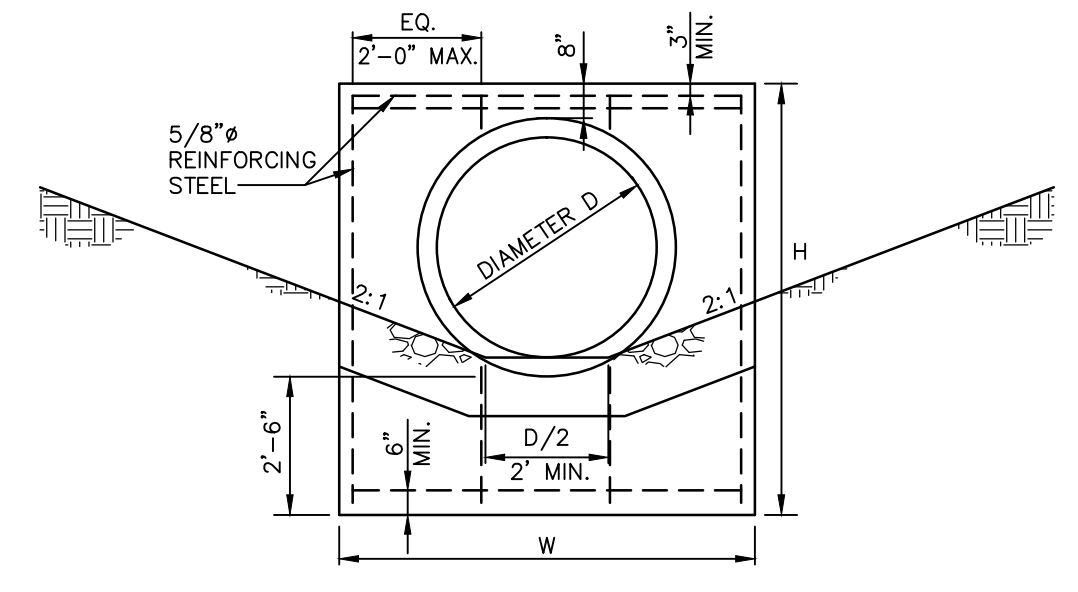
STEPS, FRAMES AND COVERS: Meet the requirements shown on SCD MH-1.1.

TOP SLAB REBAR: Use epoxy coated reinforcing steel within the top slab.

LEGEND

□ Reconstruction to grade only. Approved materials are kept on file by the Office of Materials Management.

MAXIMUM PIPE SIZES		
BASE I.D.	MIN. #"	MAX. PIPE SIZE
60"	5"	36"
72"	6"	48"
84"	7"	54"
90"	7 1/2"	60"
96"	8"	66"
108"	9"	72"



CONCRETE HEADWALL DIMENSIONS			
CIRCULAR			
D	W	H	T
12"	3'-0"	4'-5"	12"
15"	4'-0"	4'-8"	12"
18"	5'-0"	5'-0"	12"
24"	6'-6"	5'-8"	18"
30"	8'-0"	6'-2"	18"

HEADWALL
N.T.S.

NOTES

CONCRETE: Use 4000 psi compressive strength concrete.

REINFORCING STEEL: Provide epoxy coated #5 bars.

FOUNDATIONS: Where the soil borings indicate a bearing capacity of less than 3,000 pounds per square foot, increase the width of the footing.

PAYMENT: Item 802 Concrete Masonry includes reinforcing. PROVIDE 2:1 SLOPES ADJACENT TO THE HEADWALL.

REV.	DATE	DESCRIPTION
1	06/02/14	REVISED PER LOCAL AGENCY COMMENTS
2	06/27/14	REVISED PER LOCAL AGENCY COMMENTS
3	07/18/14	REVISED PER LOCAL AGENCY COMMENTS
4	07/25/14	REVISED PER LOCAL AGENCY COMMENTS
5	08/01/14	MILLER PARCEL UTILITY UPDATE
6	08/05/14	COMMENTS FOR GRADING APPROVAL
7	08/20/14	REVISED PER LOCAL AGENCY COMMENTS
8	08/22/14	SANITARY REVISION MH 300-302
9	09/12/14	REVISED PER LOCAL AGENCY COMMENTS

THE PRESERVE AT MILLER'S FARM
 SE CORNER OF SR 18 AND MEDINA LINE RD
 COPLEY, OHIO 44321

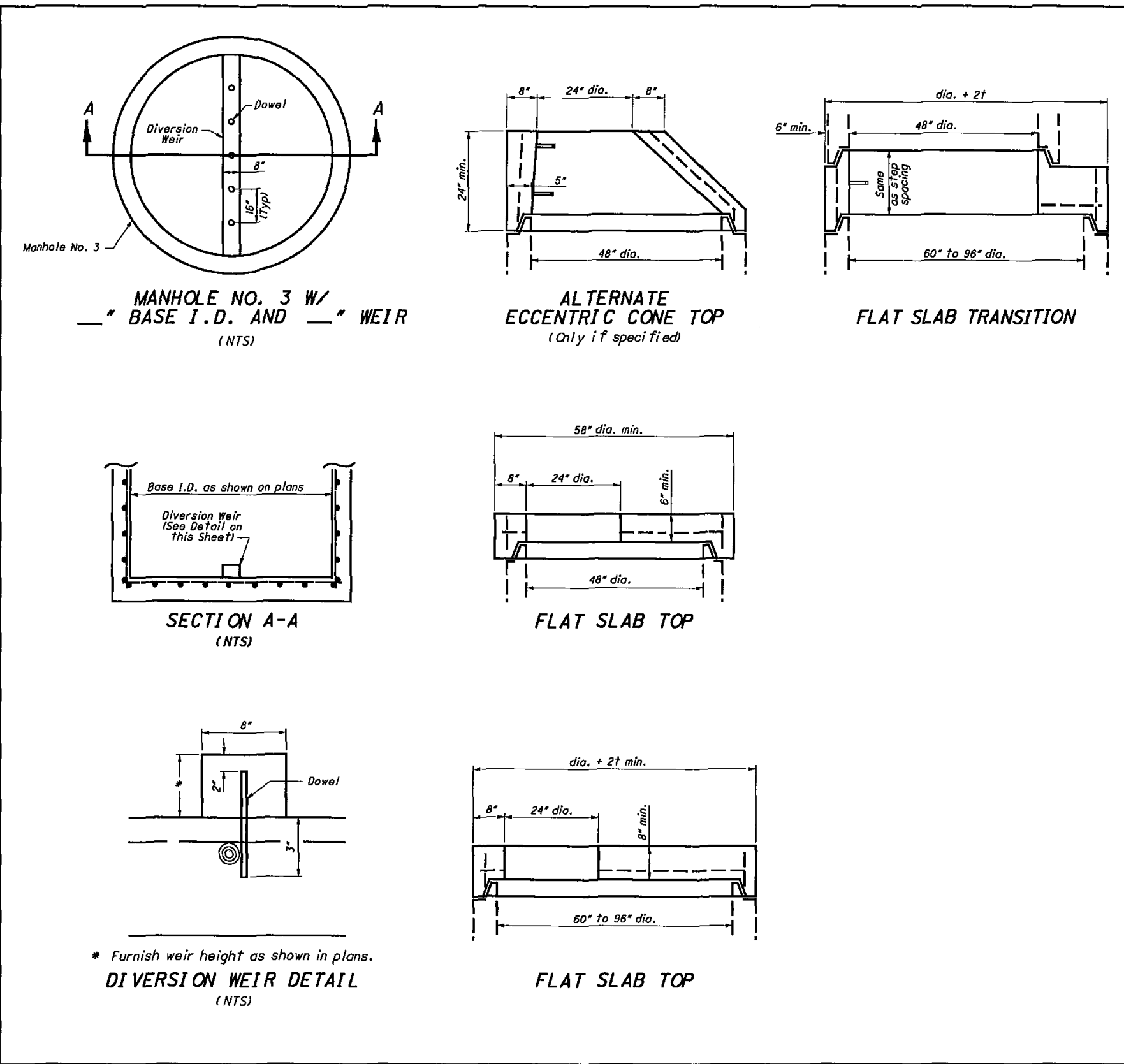
DETAILS

ISSUED FOR:	
PERMIT	06-02-14
BID	06-02-14
CONSTRUCTION	09-16-14
RECORD	-

PROJECT MANAGER	DESIGNER
MAL	KB

JOB NO.
2013258.00

72/81



NOTES

MANHOLE NO. 3 WITH WEIR - BASE I.D. AND DIVERSION WEIR: Furnish manhole base with precast diversion weir or construct diversion weir from structural concrete, 4000 psi compressive strength concrete or brick and masonry units conforming to CMS 611. A bottom channel section for the manhole is not required when a diversion weir is specified on the plans.

Place diversion weir perpendicular to flow of inflowing trunk sewer. Dowel concrete or masonry units into the base of the manhole to a depth of 3" using epoxy coated #4 reinforcing bars. Start dowels at the center of the diversion weir and space 18" on center across the entire weir.

All materials and labor, including excavation and backfill, are paid for at the contract price for ITEM 811 MANHOLE NO. 3 WITH WEIR - BASE I.D. AND DIVERSION WEIR.

* Furnish weir height as shown in plans.
DIVERSION WEIR DETAIL
(N.T.S.)