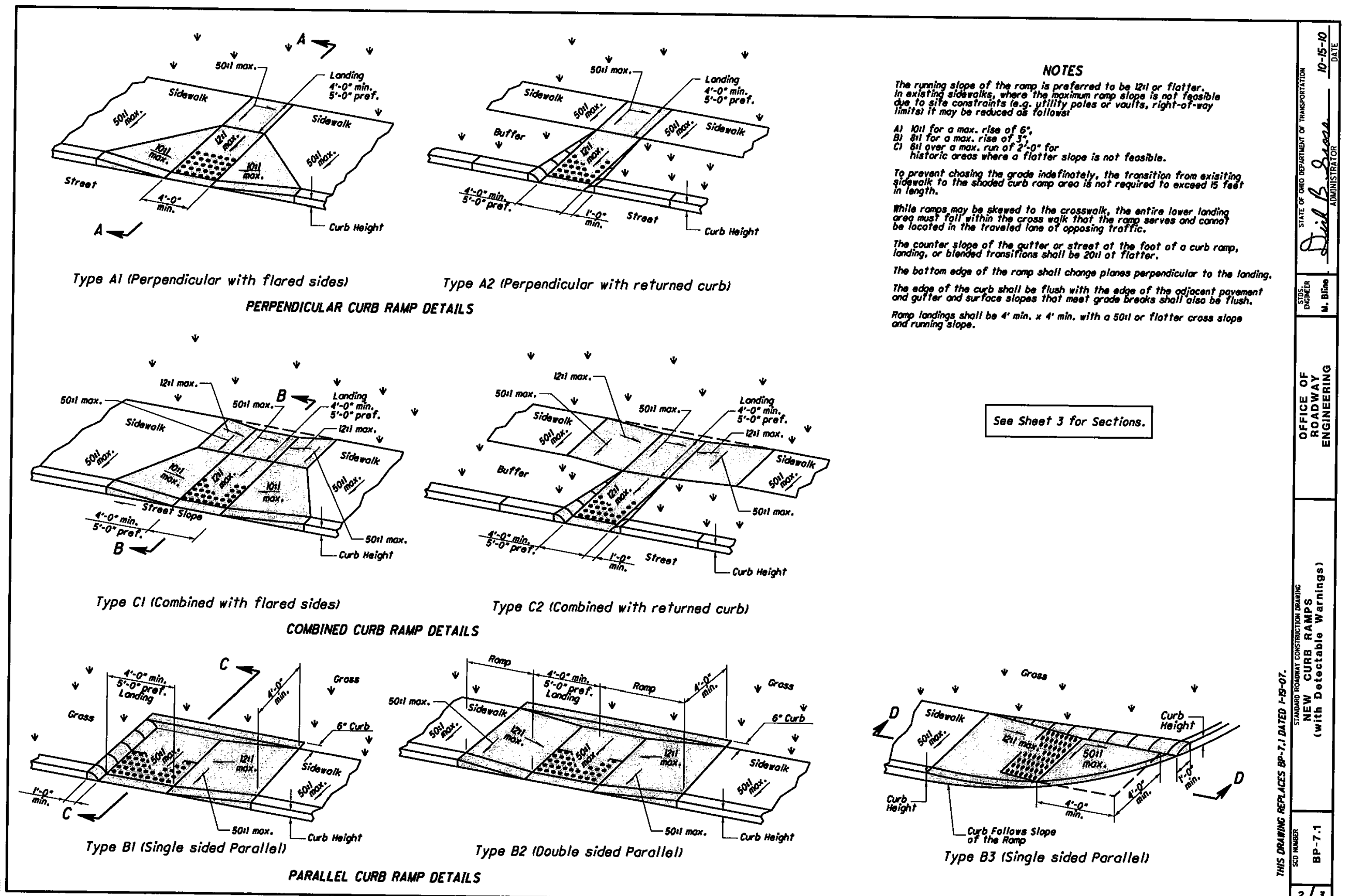
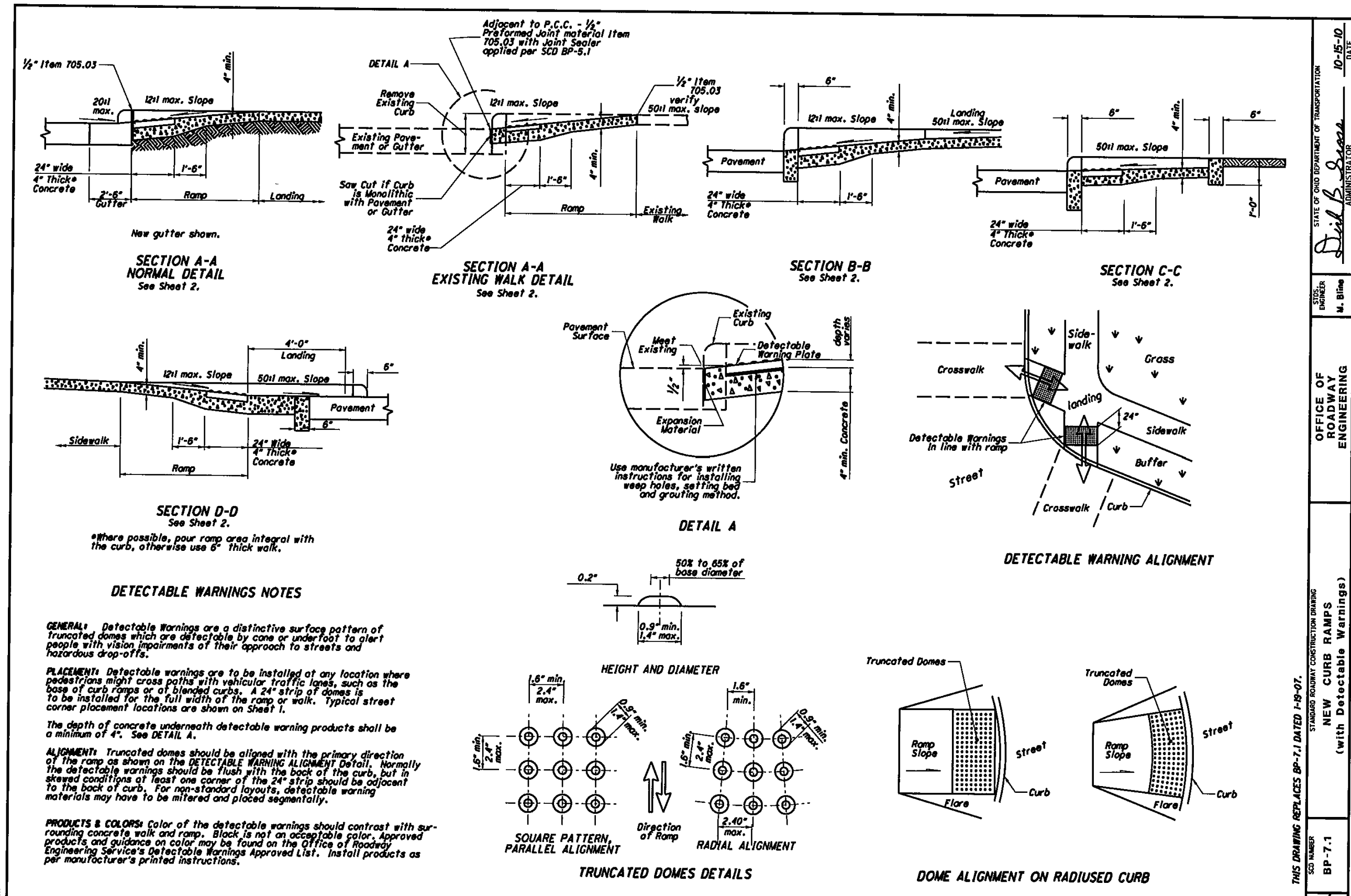


STATE OF OHIO DEPARTMENT OF TRANSPORTATION	DATE	10-15-10
OFFICE OF ROADWAY ENGINEERING	DESIGNED BY	D. B. Schomer
STANDARD CONTRACT NUMBER	CHECKED BY	M. Blinn
NEW CURB RAMPS (with Detectable Warnings)	DATE	10-15-10
THIS DRAWING REPLACES BP-7.1 DATED 1-9-07.	DATE	10-15-10

REV.	DATE	DESCRIPTION
1	06/02/14	REVISED PER LOCAL AGENCY COMMENTS
2	06/27/14	REVISED PER LOCAL AGENCY COMMENTS
3	07/18/14	REVISED PER LOCAL AGENCY COMMENTS
4	07/25/14	REVISED PER LOCAL AGENCY COMMENTS
5	08/01/14	MILLER PARCEL UTILITY UPDATE
6	08/05/14	COMMENTS FOR GRADING APPROVAL
7	08/20/14	REVISED PER LOCAL AGENCY COMMENTS
8	08/22/14	SANITARY REVISION MH 300-302
9	09/12/14	REVISED PER LOCAL AGENCY COMMENTS



STATE OF OHIO DEPARTMENT OF TRANSPORTATION	DATE	10-15-10
OFFICE OF ROADWAY ENGINEERING	DESIGNED BY	D. B. Schomer
STANDARD CONTRACT NUMBER	CHECKED BY	M. Blinn
NEW CURB RAMPS (with Detectable Warnings)	DATE	10-15-10
THIS DRAWING REPLACES BP-7.1 DATED 1-9-07.	DATE	10-15-10



STATE OF OHIO DEPARTMENT OF TRANSPORTATION	DATE	10-15-10
OFFICE OF ROADWAY ENGINEERING	DESIGNED BY	D. B. Schomer
STANDARD CONTRACT NUMBER	CHECKED BY	M. Blinn
NEW CURB RAMPS (with Detectable Warnings)	DATE	10-15-10
THIS DRAWING REPLACES BP-7.1 DATED 1-9-07.	DATE	10-15-10

THE PRESERVE AT MILLER'S FARM
 SE CORNER OF SR 18 AND MEDINA LINE RD
 COPLEY, OHIO 44321

ISSUED FOR:	
PERMIT	06-02-14
BID	06-02-14
CONSTRUCTION	09-16-14
RECORD	-
PROJECT MANAGER	DESIGNER
MAL	KB

JOB NO.
2013258.00

71/81