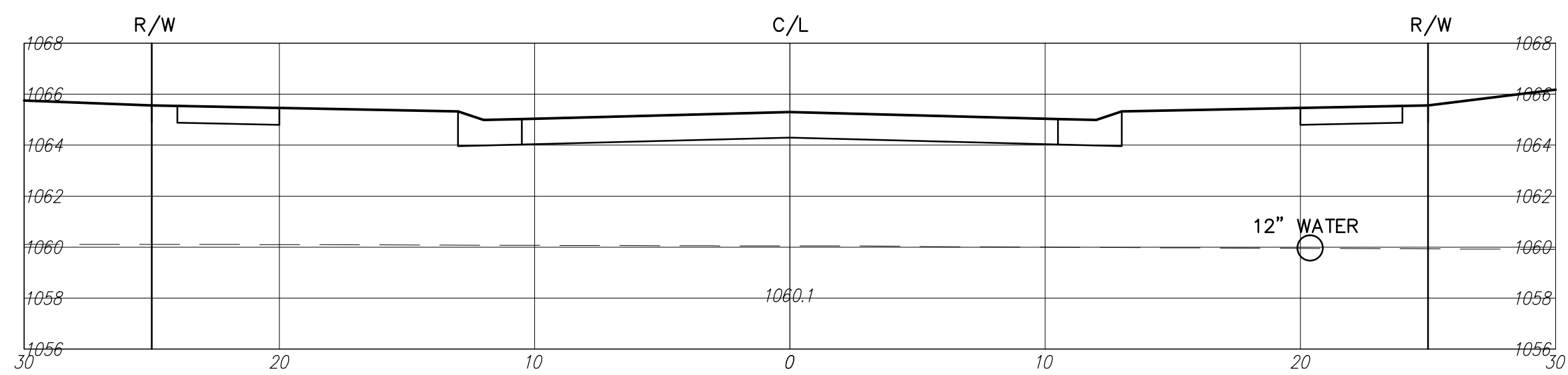
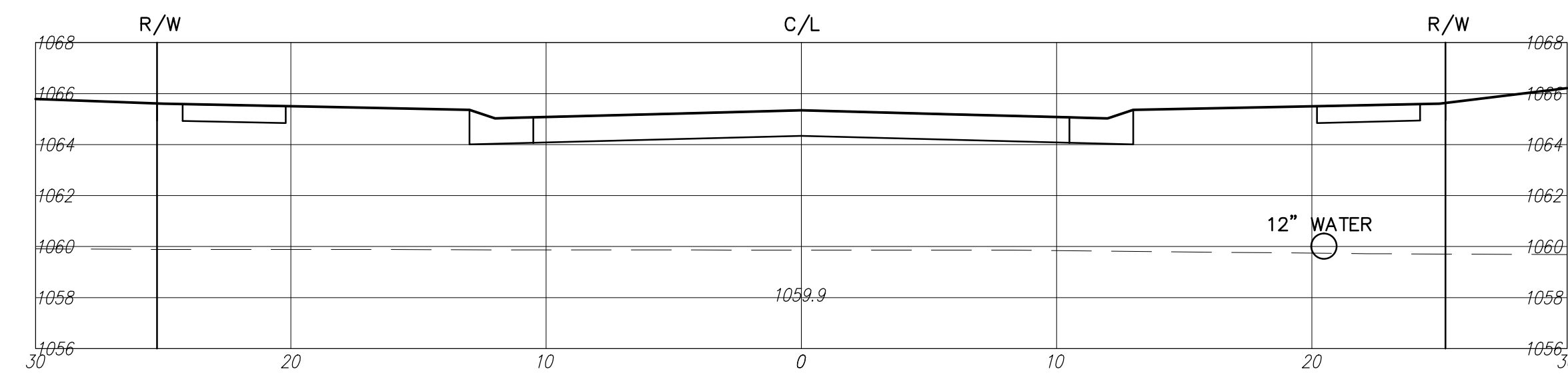


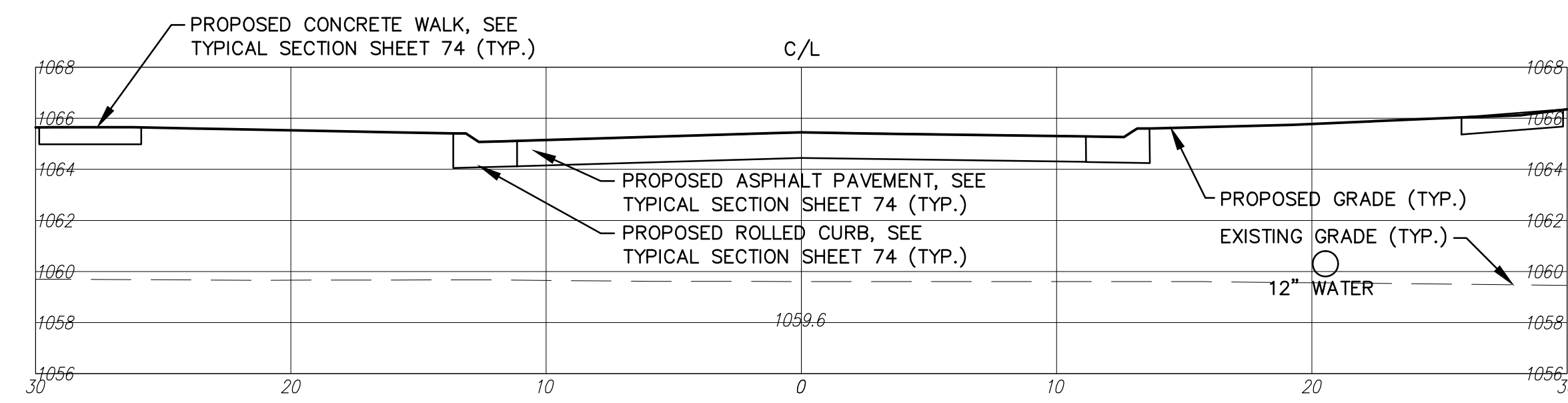
150+75



151+75



151+85.66



152+00

REV.	DATE	DESCRIPTION
1	06/02/14	REVISED PER LOCAL AGENCY COMMENTS
2	06/27/14	REVISED PER LOCAL AGENCY COMMENTS
3	07/18/14	REVISED PER LOCAL AGENCY COMMENTS
4	07/25/14	REVISED PER LOCAL AGENCY COMMENTS
5	08/01/14	MILLER PARCEL UTILITY UPDATE
6	08/05/14	COMMENTS FOR GRADING APPROVAL
7	08/20/14	REVISED PER LOCAL AGENCY COMMENTS
8	08/22/14	SANITARY REVISION MH 300-302
9	09/12/14	REVISED PER LOCAL AGENCY COMMENTS

THE PRESERVE AT MILLER'S FARM
 SE CORNER OF SR 18 AND MEDINA LINE RD
 COPLEY, OHIO 44321

CROSS SECTION
CONCORD DRIVE

ISSUED FOR:	
PERMIT	06-02-14
BID	06-02-14
CONSTRUCTION	09-16-14
RECORD	-

PROJECT MANAGER	DESIGNER
MAL	KB

JOB NO.
2013258.00

69/81