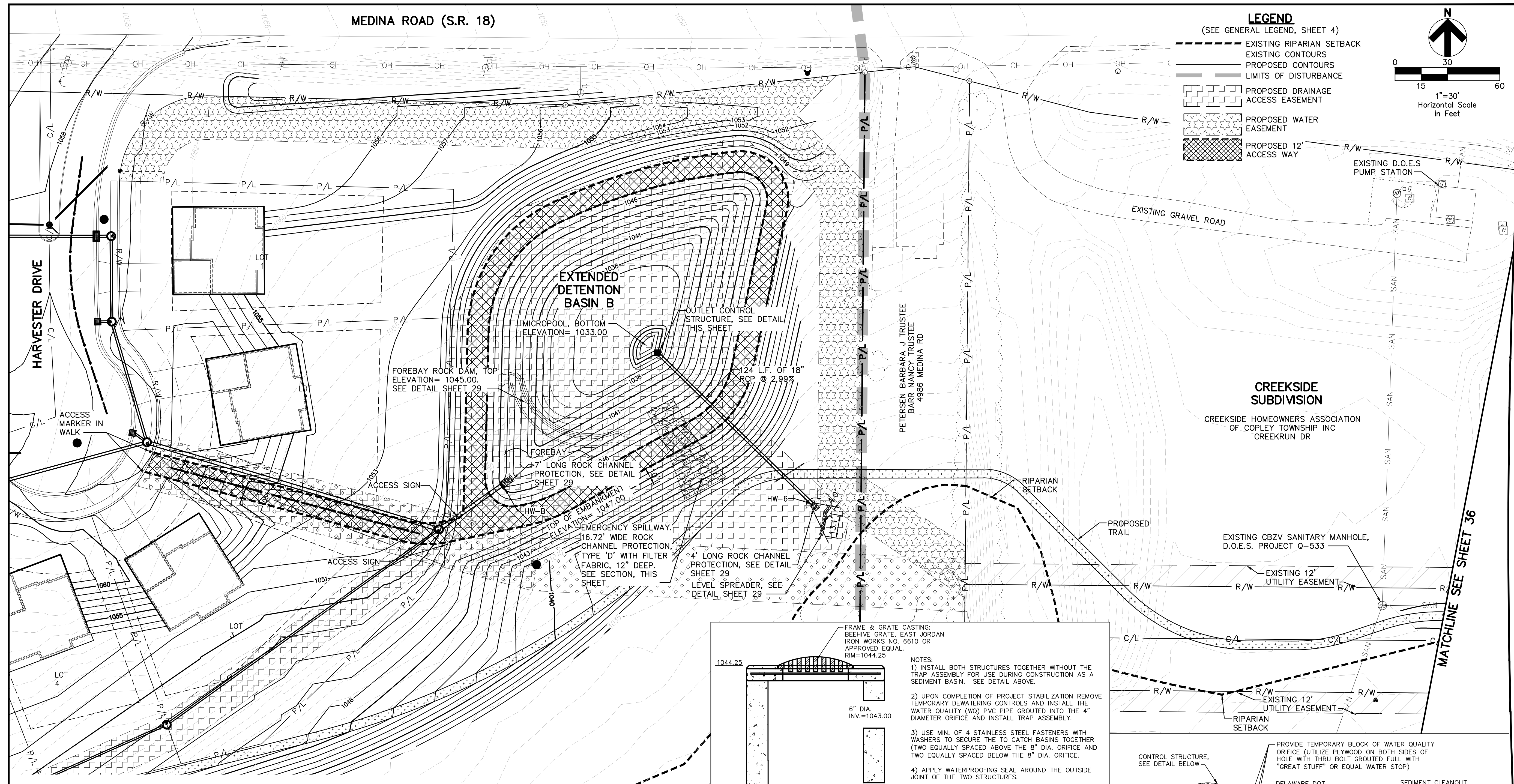


- LEGEND**
 (SEE GENERAL LEGEND, SHEET 4)
- EXISTING RIPARIAN SETBACK
 - - - EXISTING CONTOURS
 - - - PROPOSED CONTOURS
 - LIMITS OF DISTURBANCE
 - [Pattern] PROPOSED DRAINAGE ACCESS EASEMENT
 - [Pattern] PROPOSED WATER EASEMENT
 - [Pattern] PROPOSED 12' ACCESS WAY



REV.	DATE	DESCRIPTION
1	06/02/14	REVISED PER LOCAL AGENCY COMMENTS
2	06/27/14	REVISED PER LOCAL AGENCY COMMENTS
3	07/18/14	REVISED PER LOCAL AGENCY COMMENTS
4	07/25/14	REVISED PER LOCAL AGENCY COMMENTS
5	08/01/14	MILLER PARCEL UTILITY UPDATE
6	08/05/14	COMMENTS FOR GRADING APPROVAL
7	08/20/14	REVISED PER LOCAL AGENCY COMMENTS
8	08/22/14	SANITARY REVISION MH 300-302
9	09/12/14	REVISED PER LOCAL AGENCY COMMENTS

THE PRESERVE AT MILLER'S FARM
 SE CORNER OF SR 18 AND MEDINA LINE RD
 COPLEY, OHIO 44321

EXTENDED DETENTION BASIN B

ISSUED FOR:

PERMIT	06-02-14
BID	06-02-14
CONSTRUCTION	09-16-14
RECORD	-

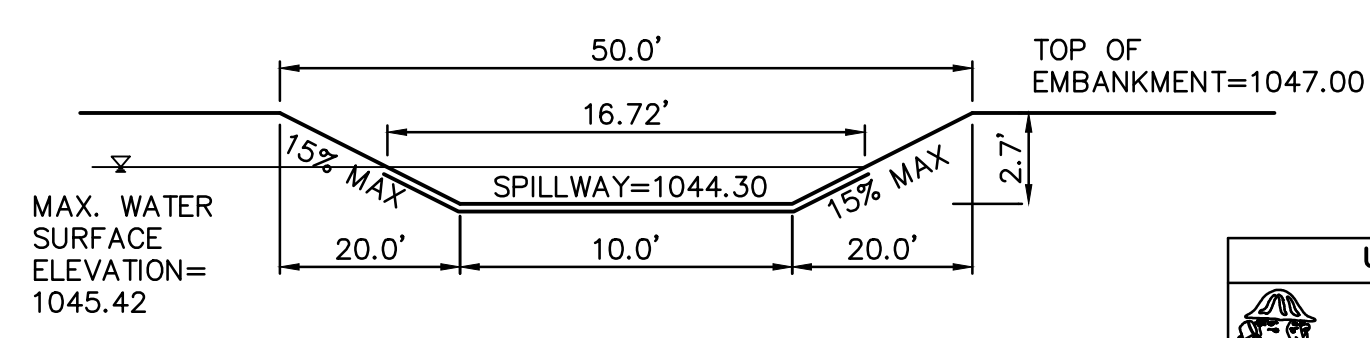
PROJECT MANAGER	DESIGNER
MAL	KB

JOB NO.
2013258.00

32/81

PROPOSED STRUCTURE TABLE

NUMBER	STRUCTURE DATA
HW-6	HALF HEIGHT HEADWALL 18" HDPE PIPE INV (NW)=1032.29
HW-B	FULL HEIGHT HEADWALL 24" HDPE INV (SW)=1043.50



NOTE: THE EMERGENCY SPILLWAY SHALL HAVE A 4' WIDE CONCRETE SECTION EQUAL TO THE 4" CONCRETE WALK ON DETAIL SHEET 74, WITH A MEDIUM BROOM FINISH CENTERED IN THE SPILLWAY ACROSS THE LENGTH BETWEEN MAXIMUM WATER SURFACE ELEVATIONS.

EMERGENCY SPILLWAY
 N.T.S.

Underground Utilities

2 Working Days Before You Dig
 Call 800-362-2764 (Toll Free)
 Ohio Utilities Protection Service

Non-members Must Be Called Directly
 Call 800-925-0988 (Toll Free)
 Oil & Gas Producers Utility Protection Service

EXTENDED DETENTION BASIN B

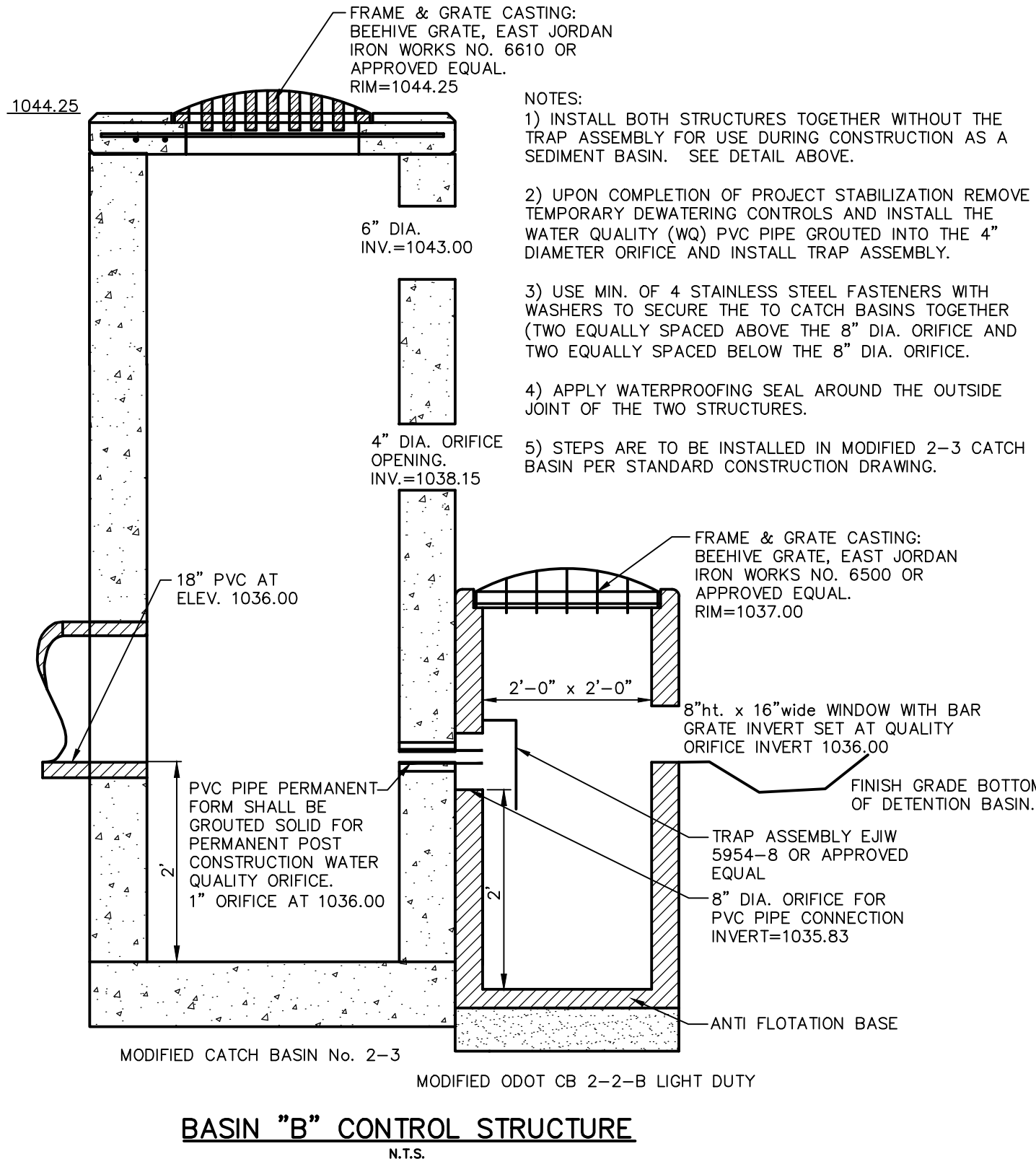
10 YEAR HWE= 1041.86
 100 YEAR HWE= 1044.27

WATER QUALITY VOLUME ELEVATION= 1038.00

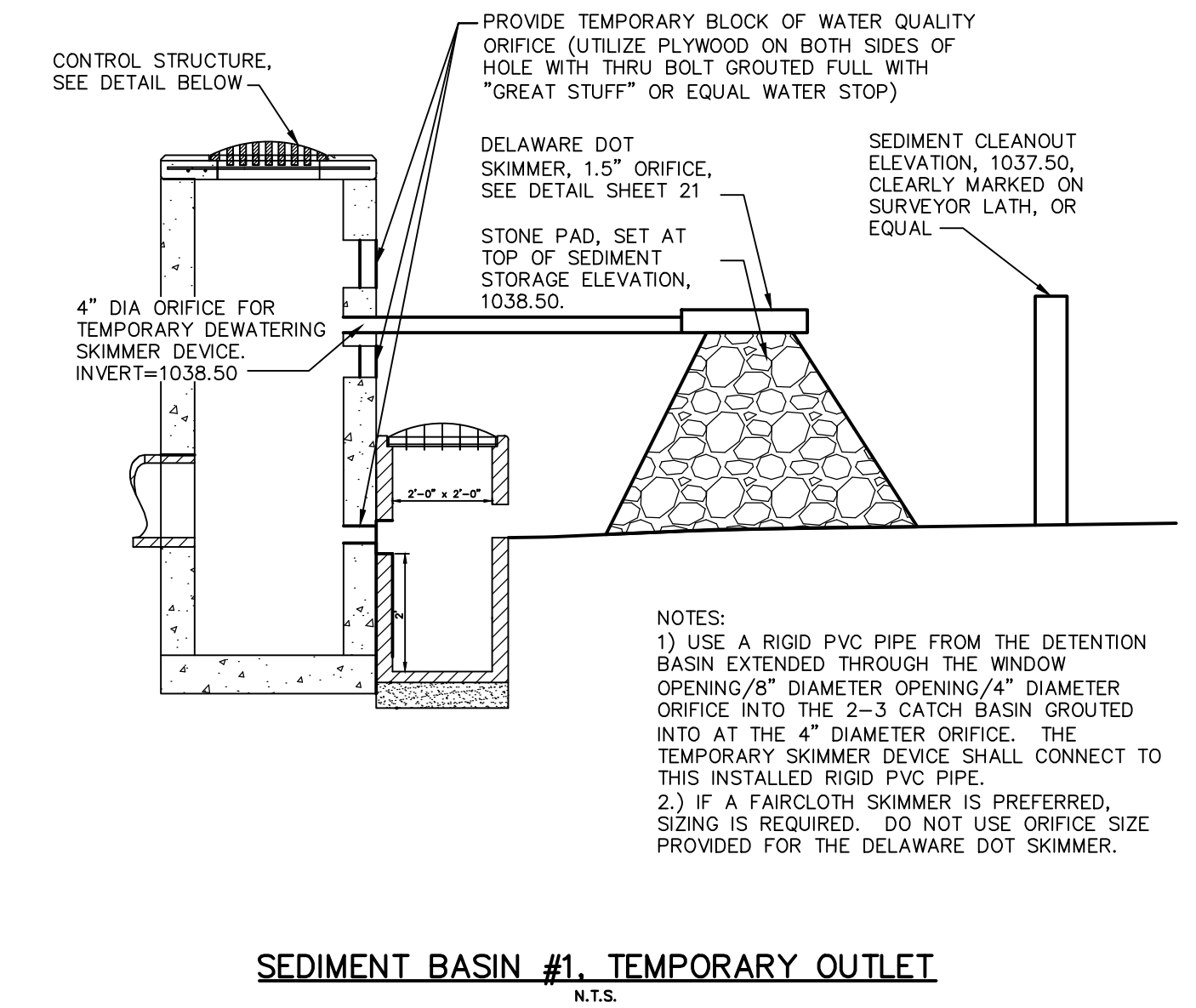
WATER QUALITY VOLUME REQUIRED= 5,517 CUFT
 WATER QUALITY VOLUME PROVIDED= 5,833 CUFT

NOTE:
 ALL OIL AND GAS WELL REMOVALS, PLUGGING/CAPPING, AND ABANDONMENTS SHALL BE IN ACCORDANCE WITH ALL ASSOCIATED REGULATIONS FOR SUCH REMOVALS, INCLUDING BUT NOT LIMITED TO, ODNR, LOCAL, STATE, AND FEDERAL.

EXISTING HIGH PRESSURE GAS MAIN SHALL BE LOCATED AND PROTECTED PRIOR TO AND THROUGHOUT CONSTRUCTION.



BASIN "B" CONTROL STRUCTURE
 N.T.S.



SEDIMENT BASIN #1 TEMPORARY OUTLET
 N.T.S.