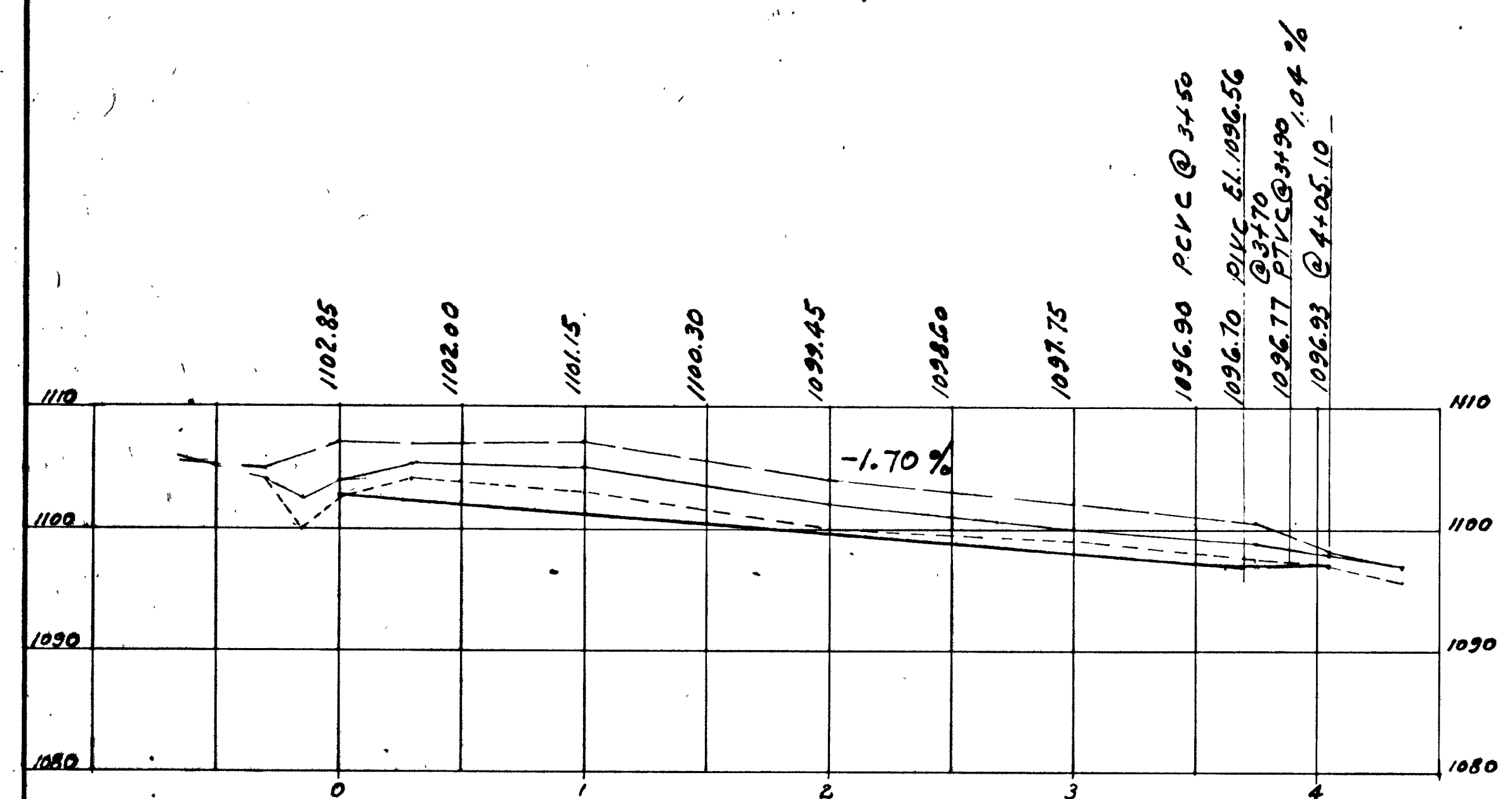
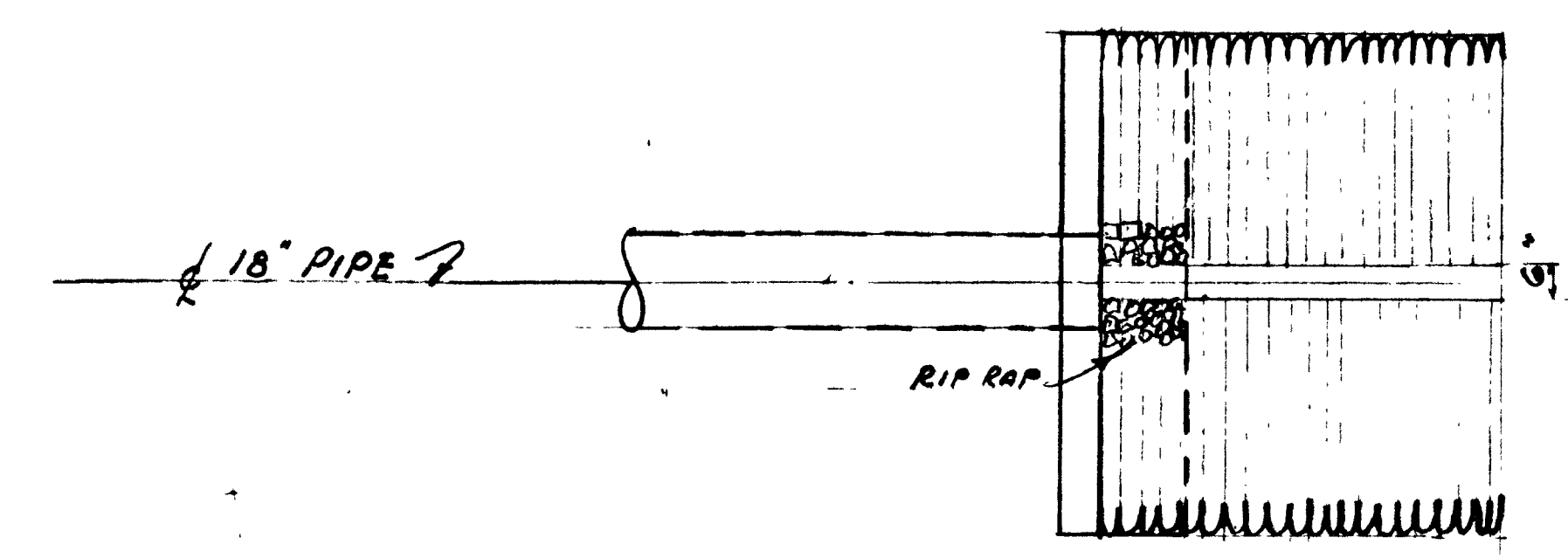


PLAN

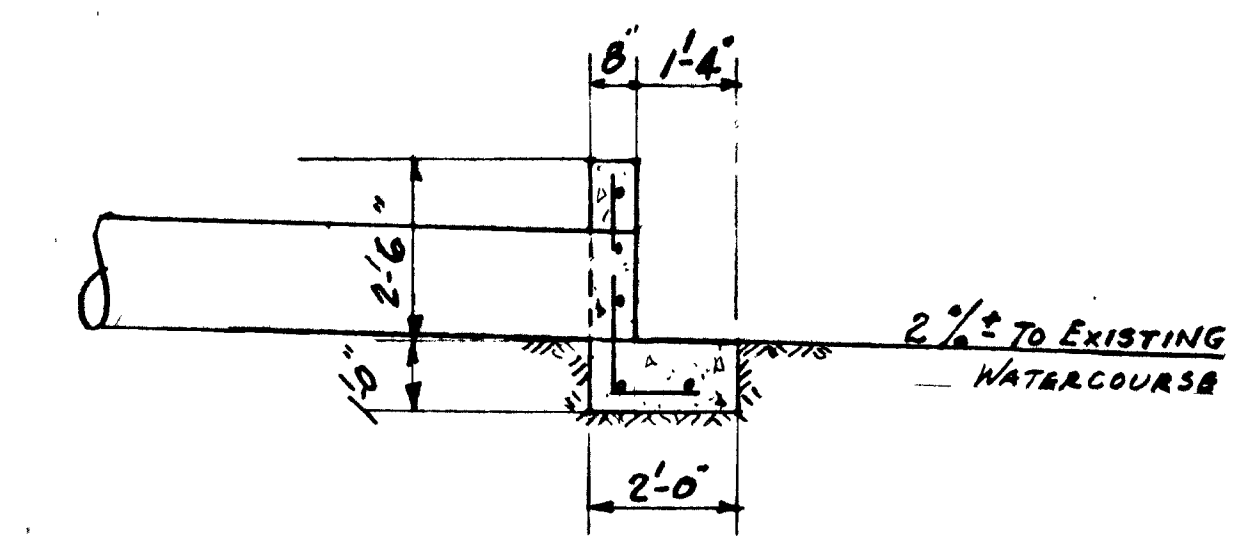


PROFILE

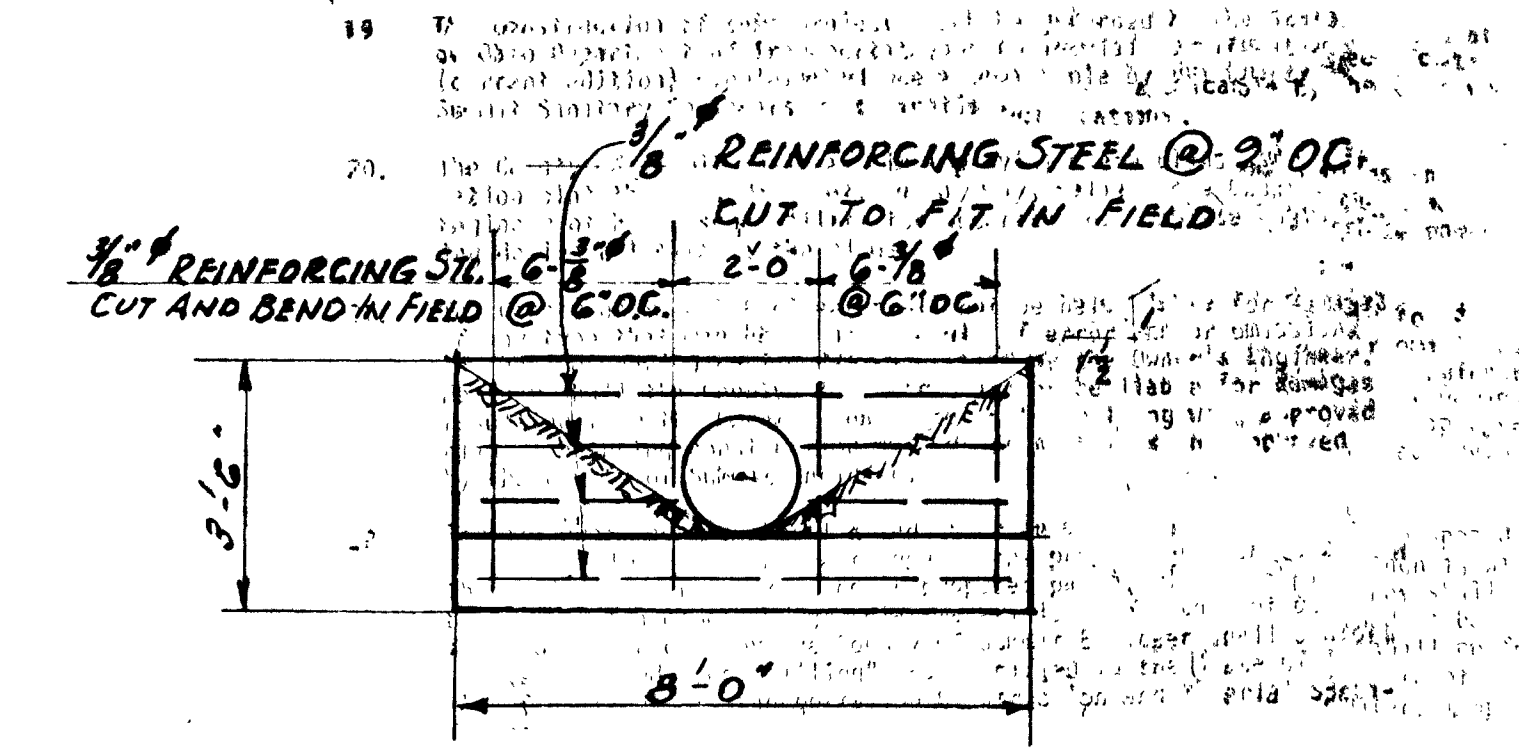
SCALE 1" = 50' HORIZ.
 1" = 10' VERT



PLAN



SECTION AT $\frac{1}{2}$ PIPE



ELEVATION OF HEADWALL

HEADWALL AND APRON
 END OF CULVERT 2+75 GOSHEN DR.

SCALE 3/8" = 1'-0"

NOTE
 3/4" CHAMFER ALL EXPOSED CORNERS
 3000 #8 CONCRETE

CONNECTICUT COLONY OF HUDSON
 ROAD IMPROVEMENTS PART 2
 MYSTIC DRIVE STATION 0+00 TO 4+05.42

PLAN AND PROFILE

APPROVED Ralph Van Buren
 SUMMIT COUNTY ENGINEER OFFICE

DATE Feb. 7, 1965

SCALE - AS SHOWN
 STOCKMAN AND ASSOCIATES INC.
 ENGINEERS AND SURVEYORS