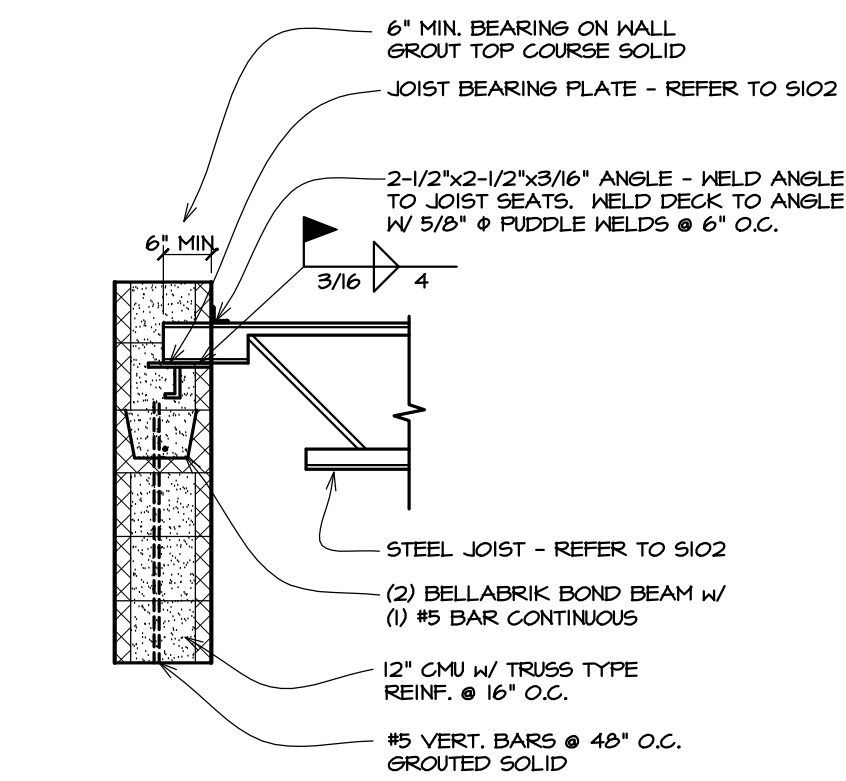
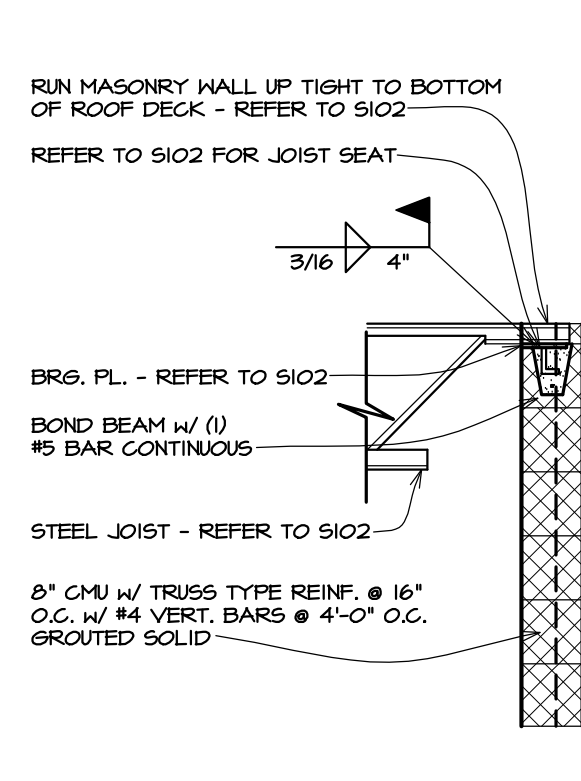


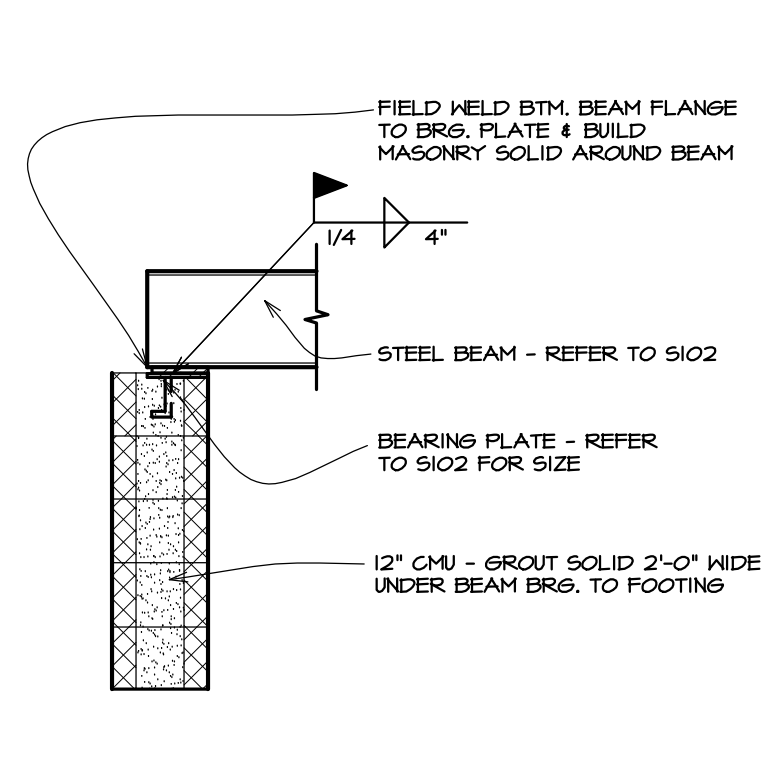
1 GIRDER ON COL.
SCALE: 1/2"=1'-0"



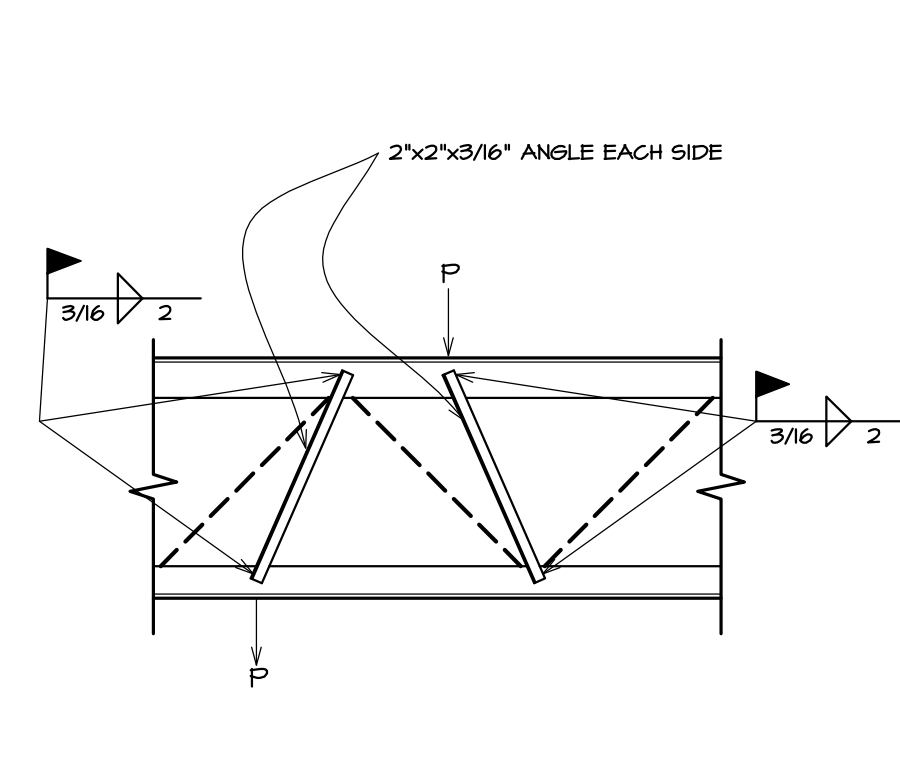
2 JOIST ON 12" WALL
SCALE: 1/2"=1'-0"



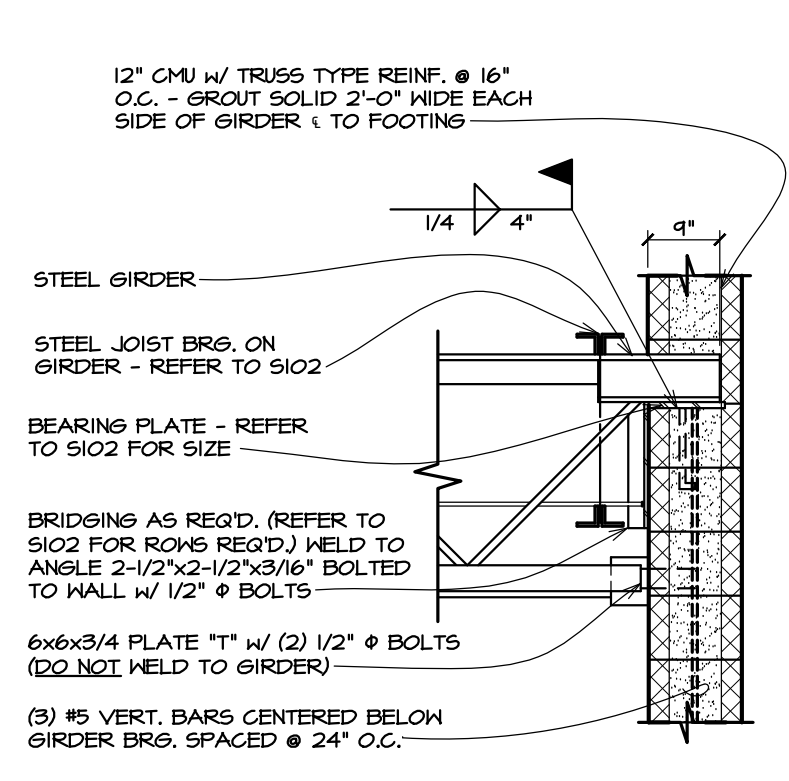
3 JOIST ON 8" BLOCK
SCALE: 1/2"=1'-0"



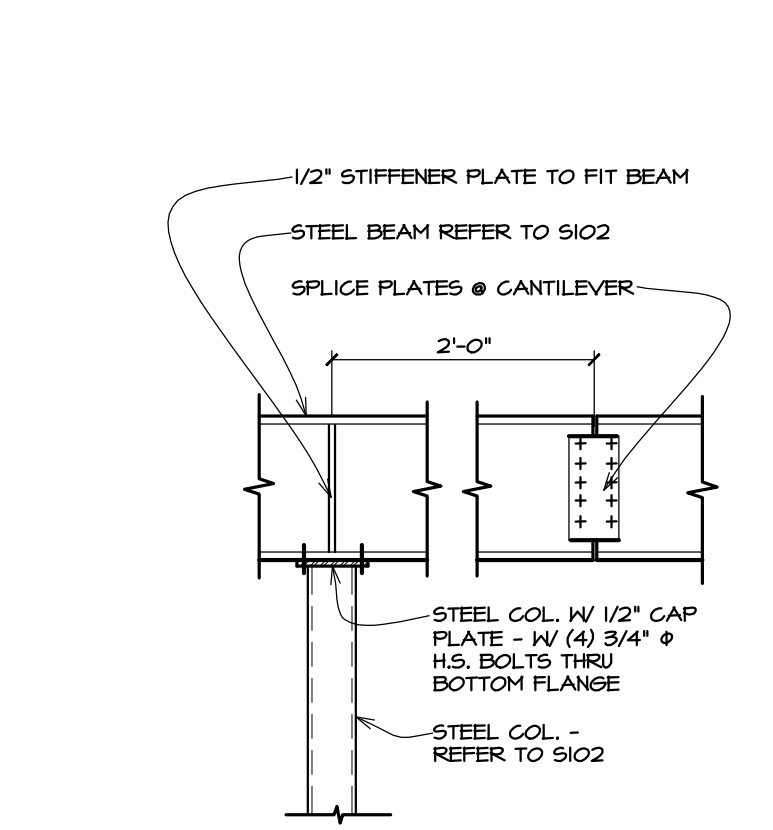
4 BEAM ON BLOCK WALL
SCALE: 1/2"=1'-0"



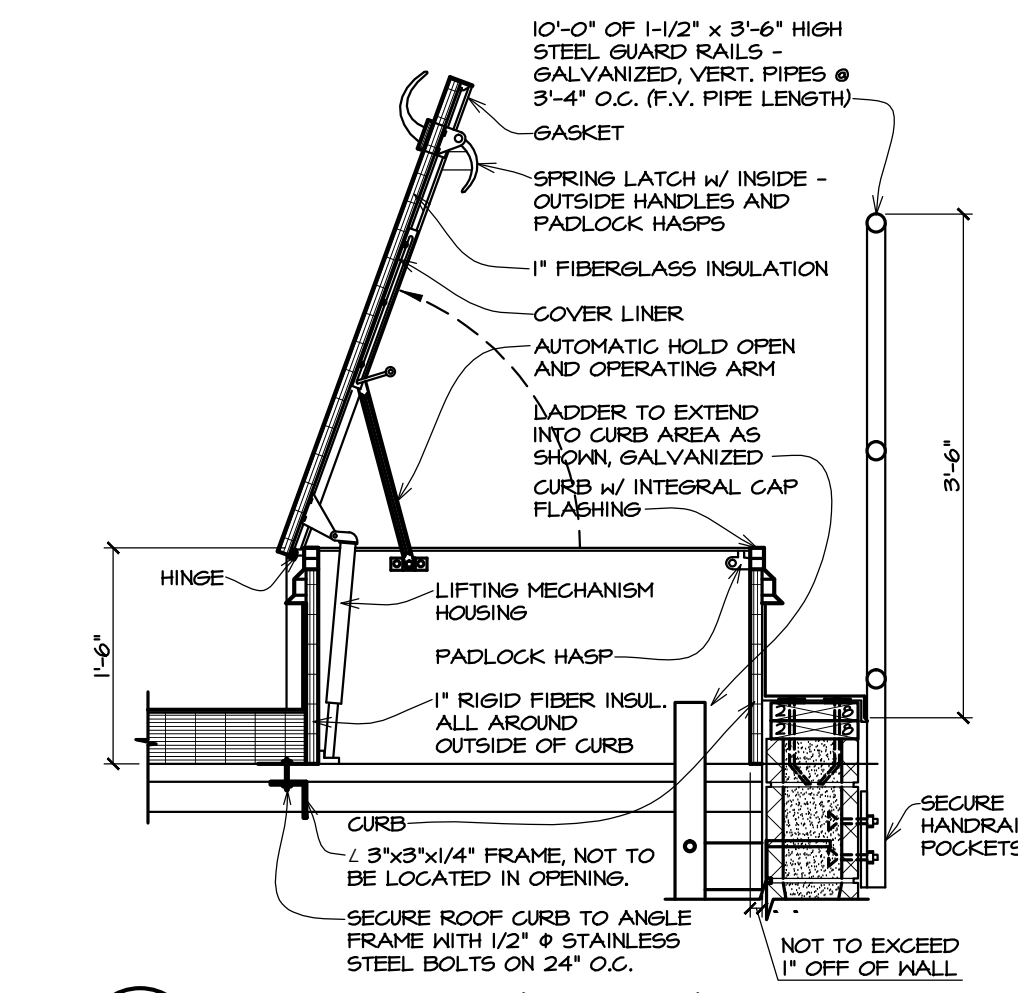
5 CONCENTRATED LOAD ON JOIST REINFORCING
SCALE: 1/2"=1'-0"



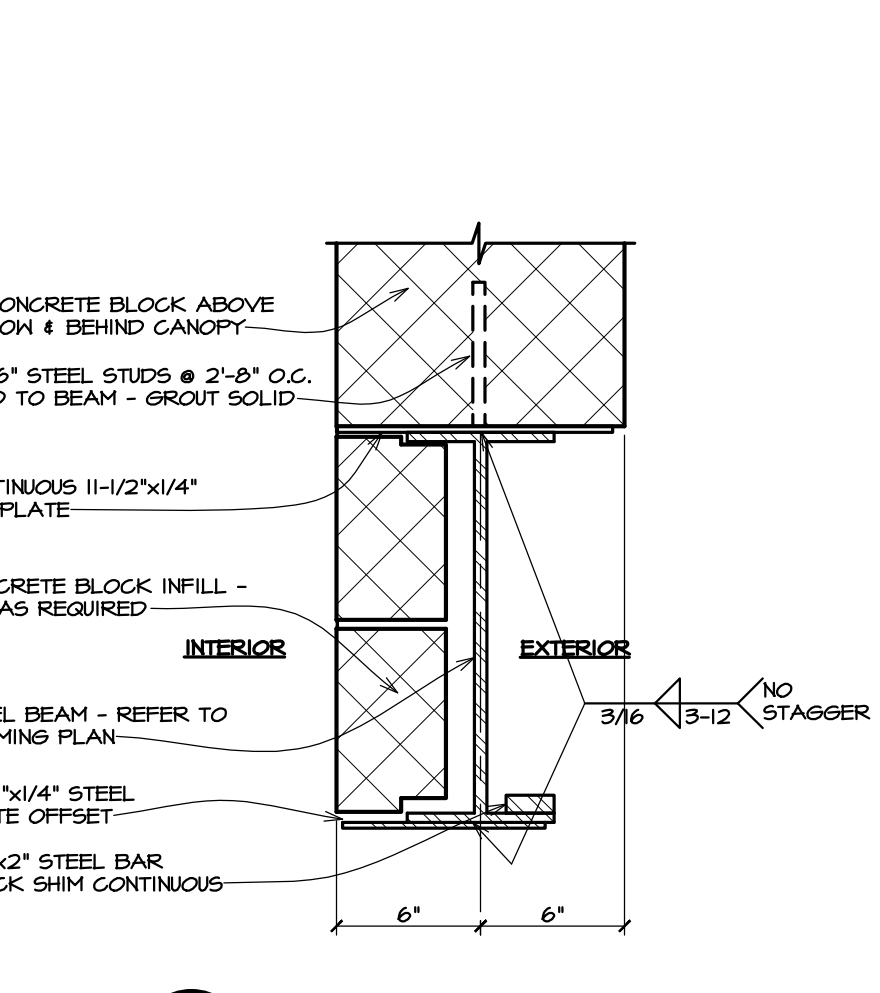
6 GIRDER ON WALL
SCALE: 1/2"=1'-0"



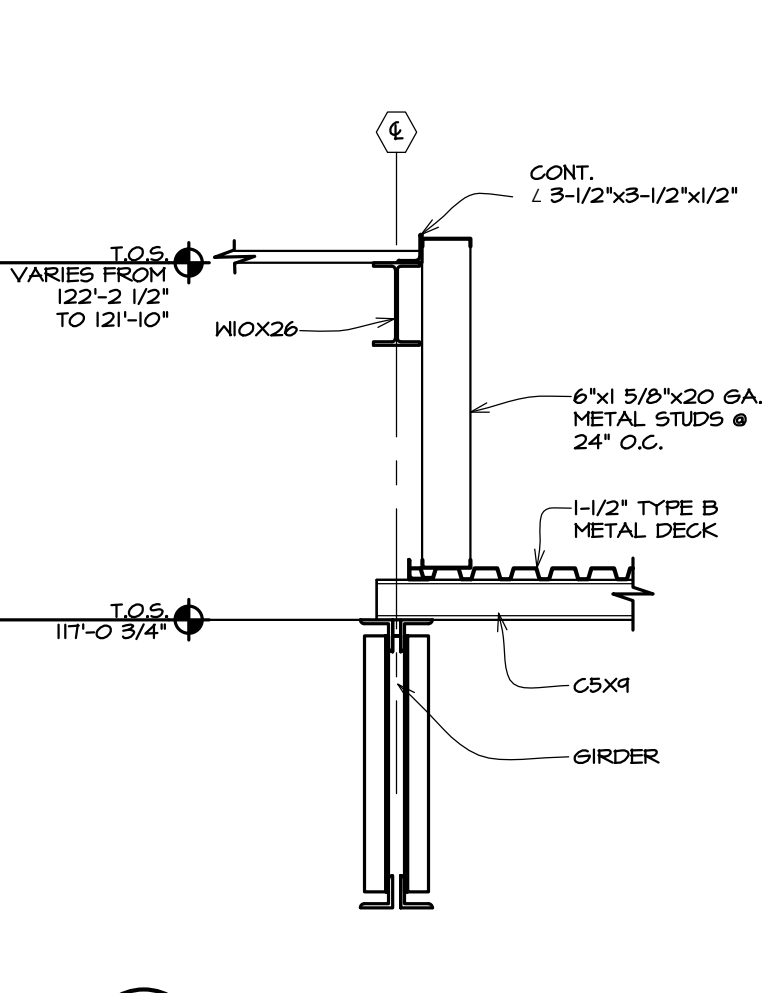
7 CANTILEVER BEAM ON COLUMN
SCALE: 1/2"=1'-0"



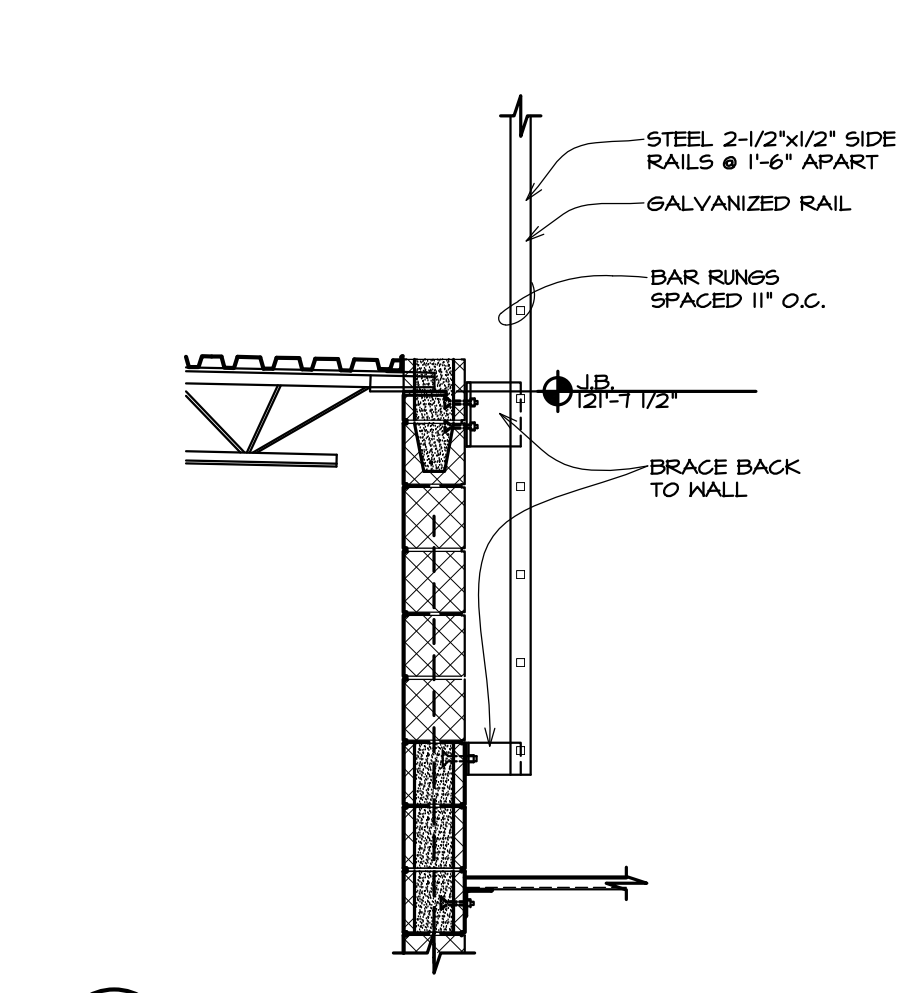
8 ROOF HATCH (BY G.C.)
SCALE: NO SCALE



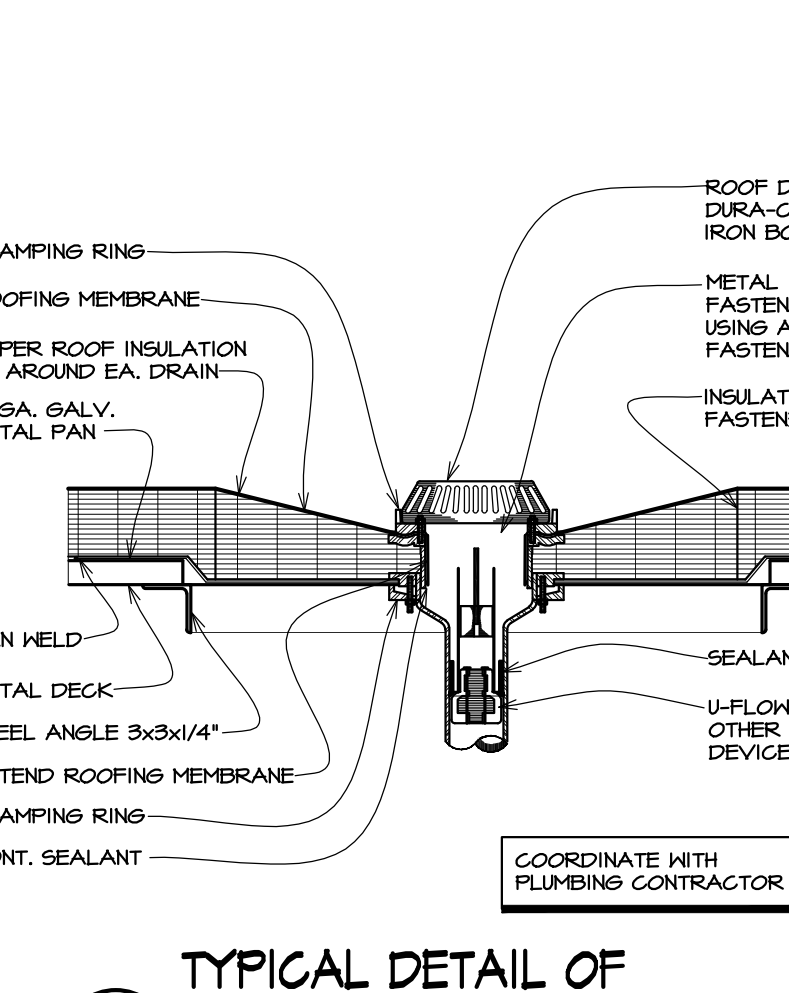
9 WINDOW LINTEL
SCALE: 1 1/2"=1'-0"



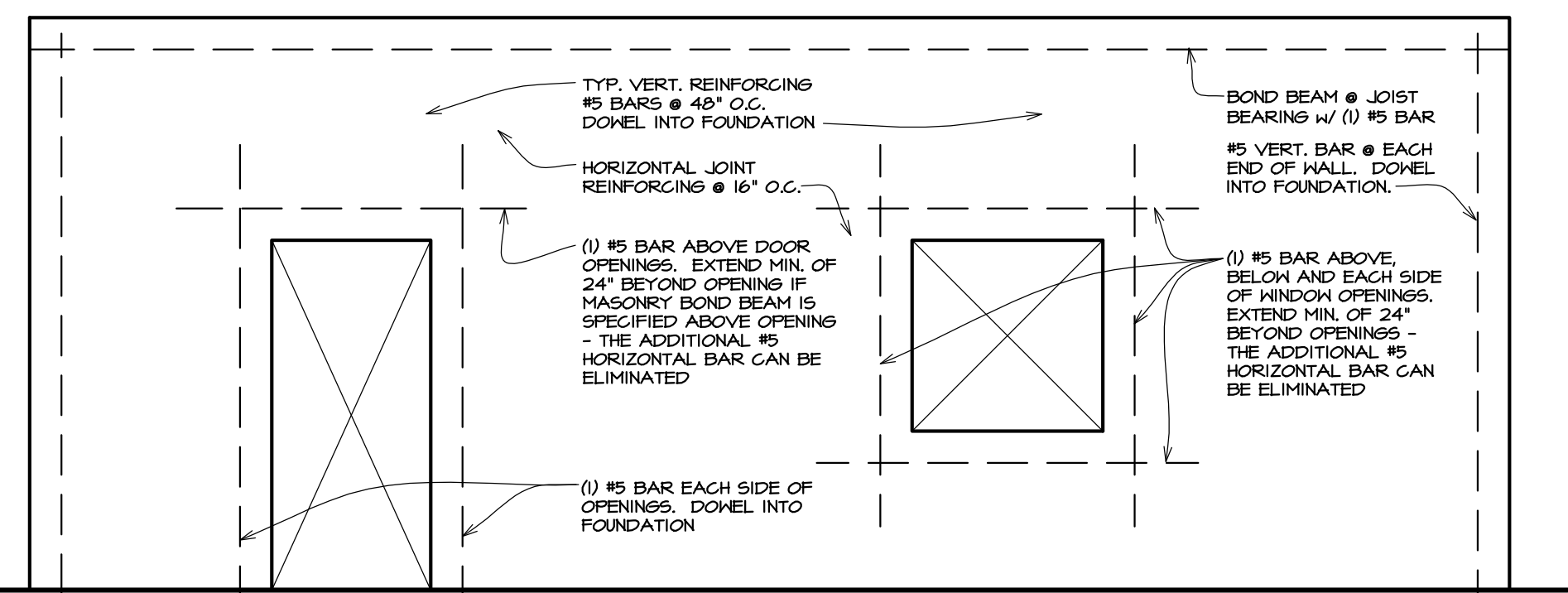
10 HIGH/LOW ROOF DETAIL
SCALE: 1/2"=1'-0"



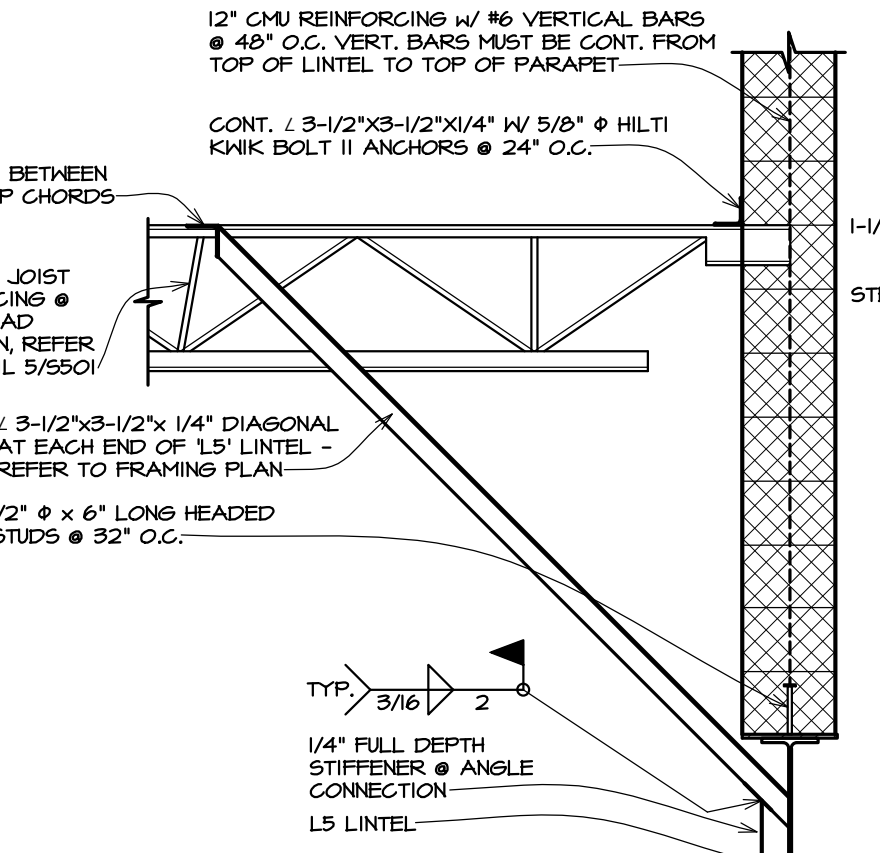
11 HIGH/LOW ROOF LADDER
SCALE: 1/2"=1'-0"



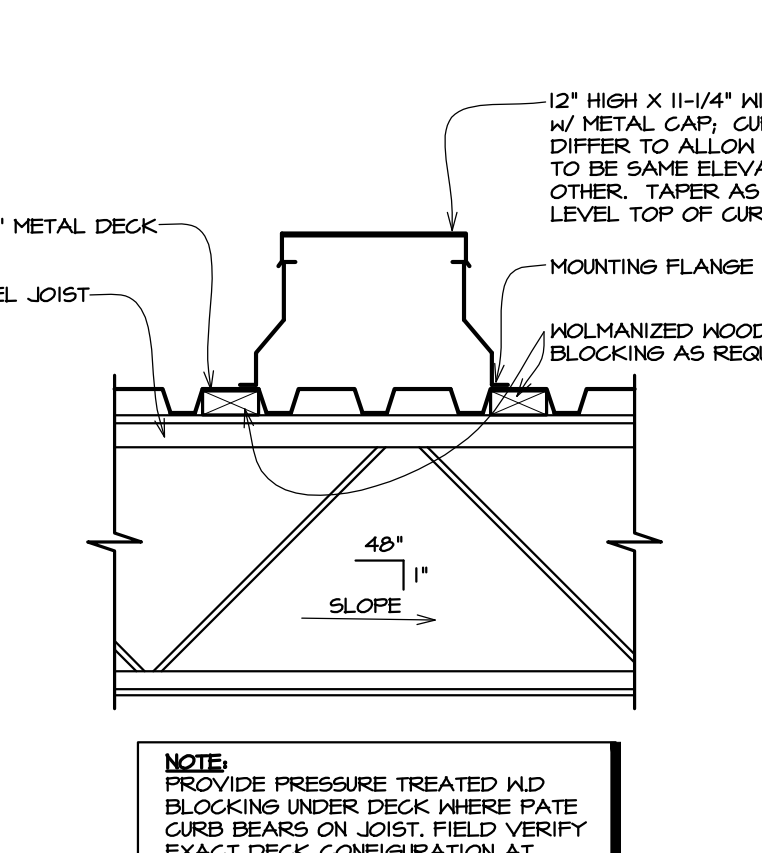
12 TYPICAL DETAIL OF DRAIN WITH METAL INSERT
SCALE: 1"=1'-0"



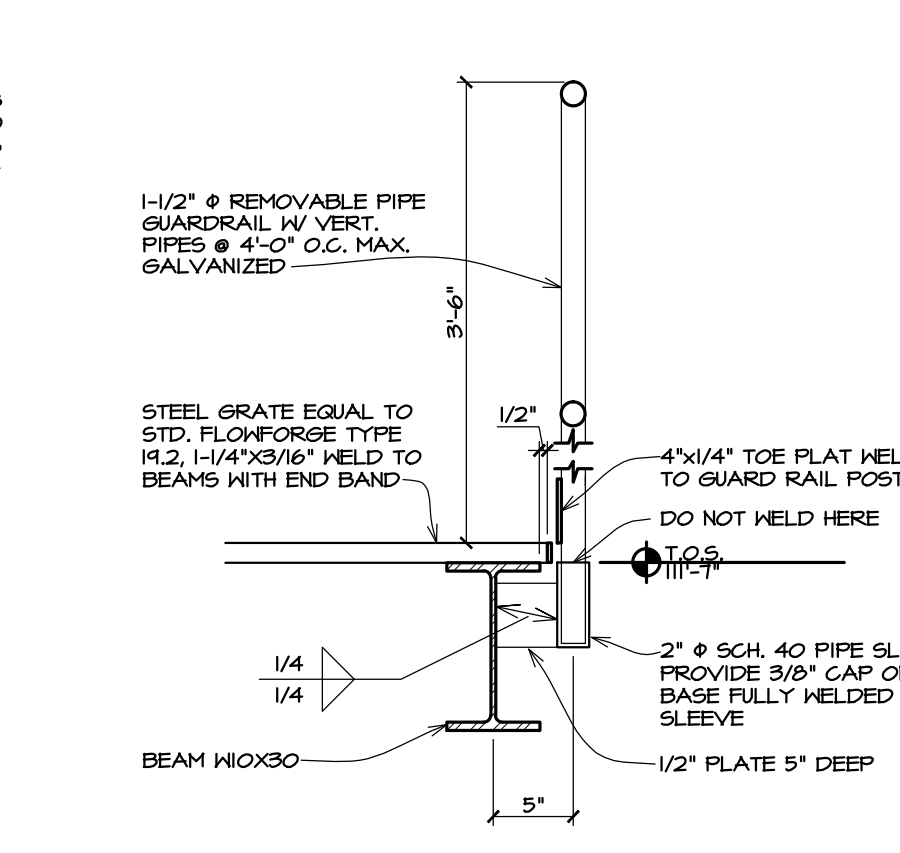
13 SEISMIC MASONRY WALL REINFORCING
SCALE: NTS



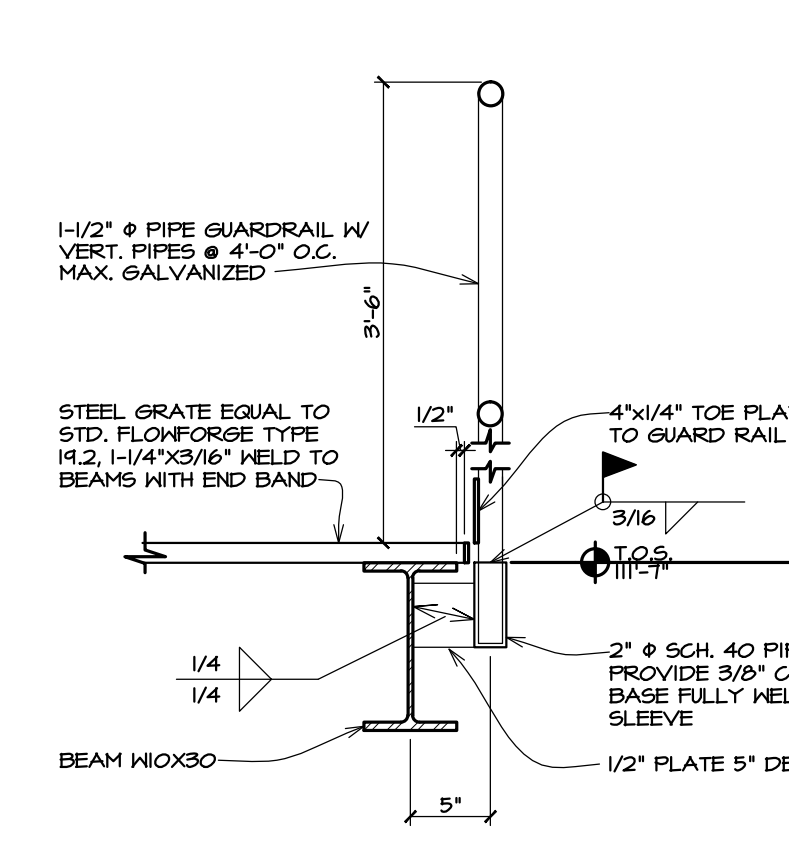
14 PARAPET WALL REINF. OVER BLD'G. ENTRY
SCALE: 1/2"=1'-0"



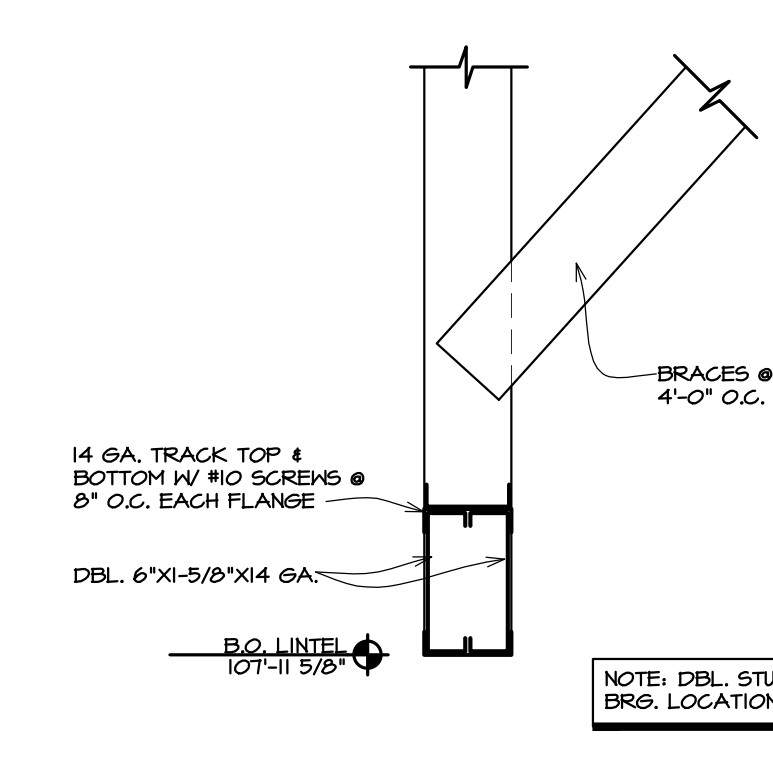
15 PATE CURB DETAIL
SCALE: 1"=1'-0"



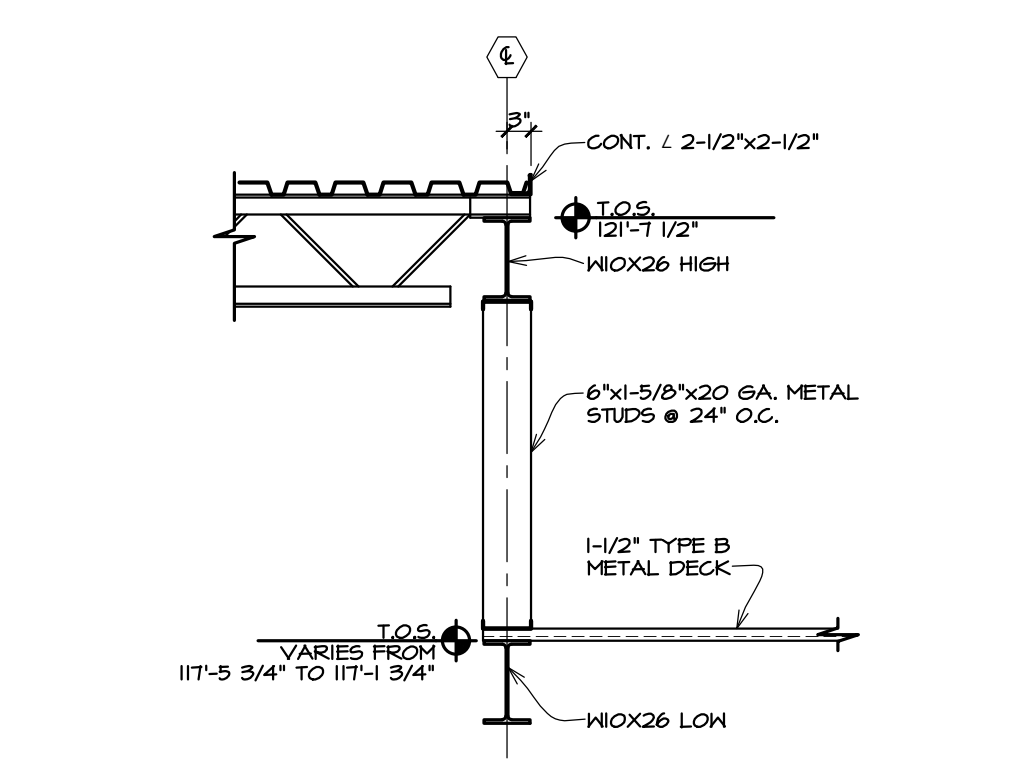
16 PLATFORM EDGE @ REMOVABLE GUARDRAIL
SCALE: 1"=1'-0"



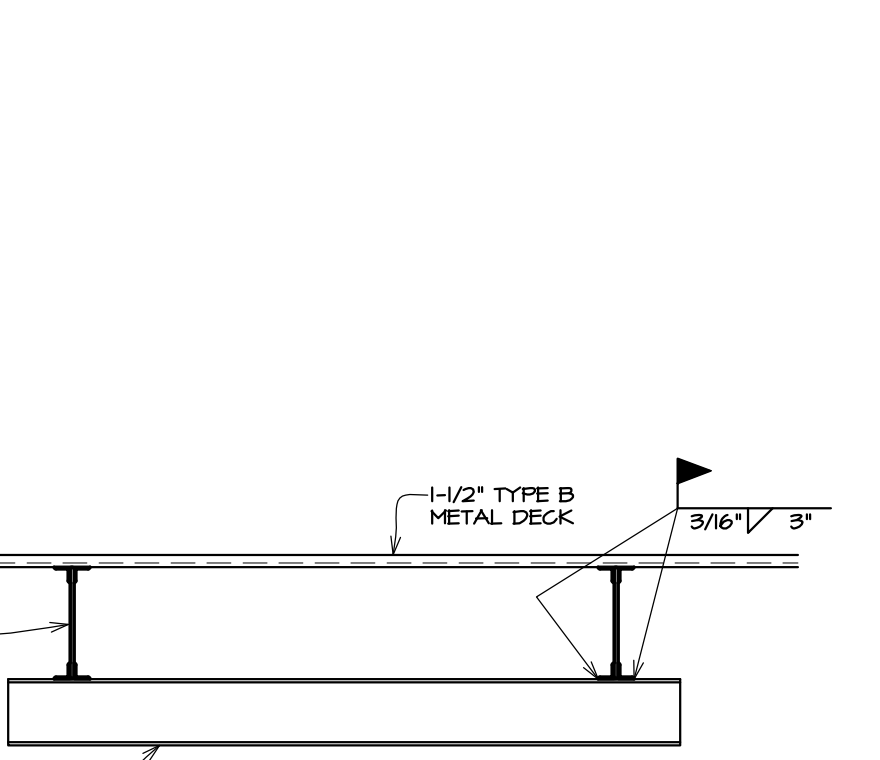
17 PLATFORM EDGE
SCALE: 1"=1'-0"



18 BULKHEAD LINTEL
SCALE: 1 1/2"=1'-0"



19 HIGH/LOW ROOF DETAIL
SCALE: 1/2"=1'-0"



20 BEAM DETAIL
SCALE: 1/2"=1'-0"

ARCHITECTS • CIVIL ENGINEERS

pd paradigm design

550 3 MILE N.W.
SUITE B
GRAND RAPIDS, MI 49544

PHONE (616) 785 - 5656
FAX (616) 785 - 5657
WEB PARADIGMAE.COM

PROJECT

GFS MARKETPLACE

COPLEY TOWNSHIP

TEMP 120 ROTHROCK ROAD
AKRON, OH

BLDG OWNER:

GFS MARKETPLACE REALTY FIVE, LLC

P.O. BOX 1812
GRAND RAPIDS, MI

RELEASE DATE

4-23-12	OWNER REVIEW
4-27-12	FOR PERMITS & CONSTRUCTION
5-21-12	FOR PERMITS, BIDS & CONSTRUCTION

PROJECT

1105054

SHEET

501

Wednesday, July 10, 2013, 4:09:32pm C:\Users\pdr\Documents\1105054\1105054.dwg elk