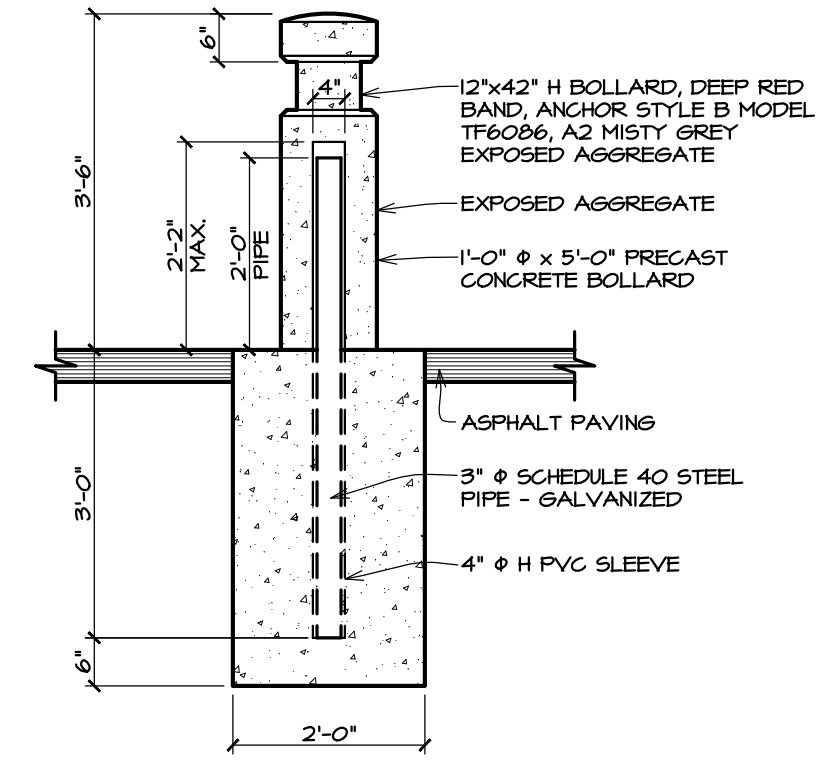
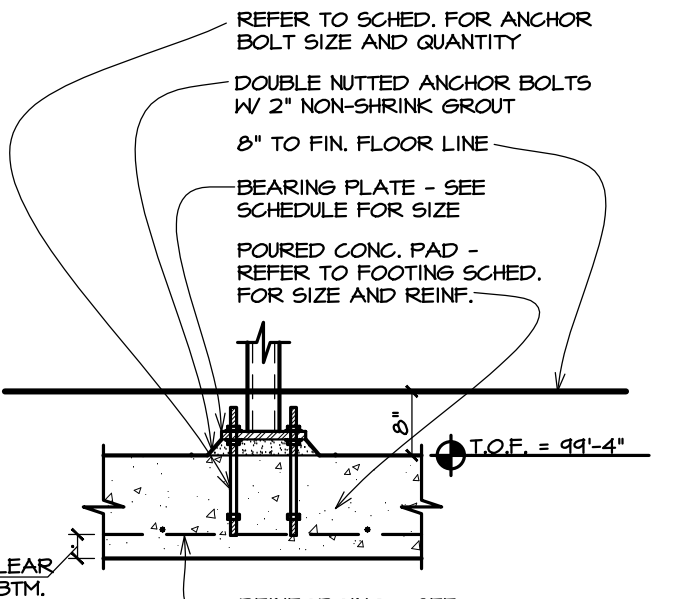


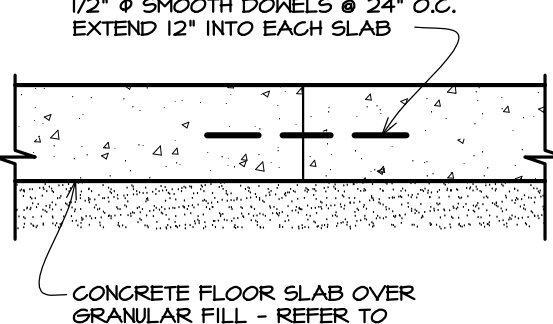
1 12" FOUNDATION WALL
SCALE: 1/2"=1'-0"



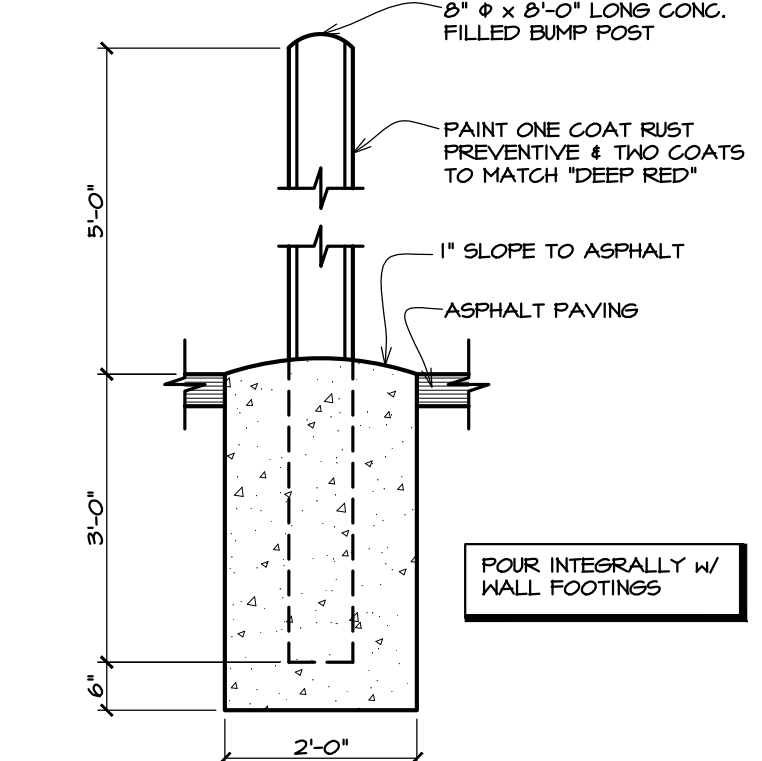
2 12" BOLLARD
SCALE: 1/2"=1'-0"



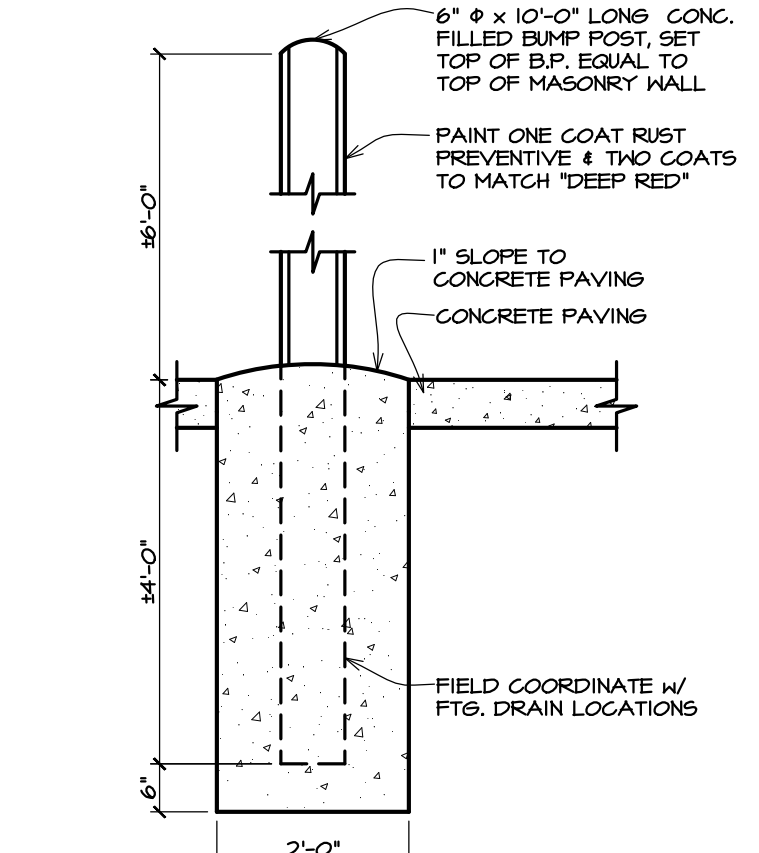
3 COLUMN PAD
SCALE: 1/2"=1'-0"



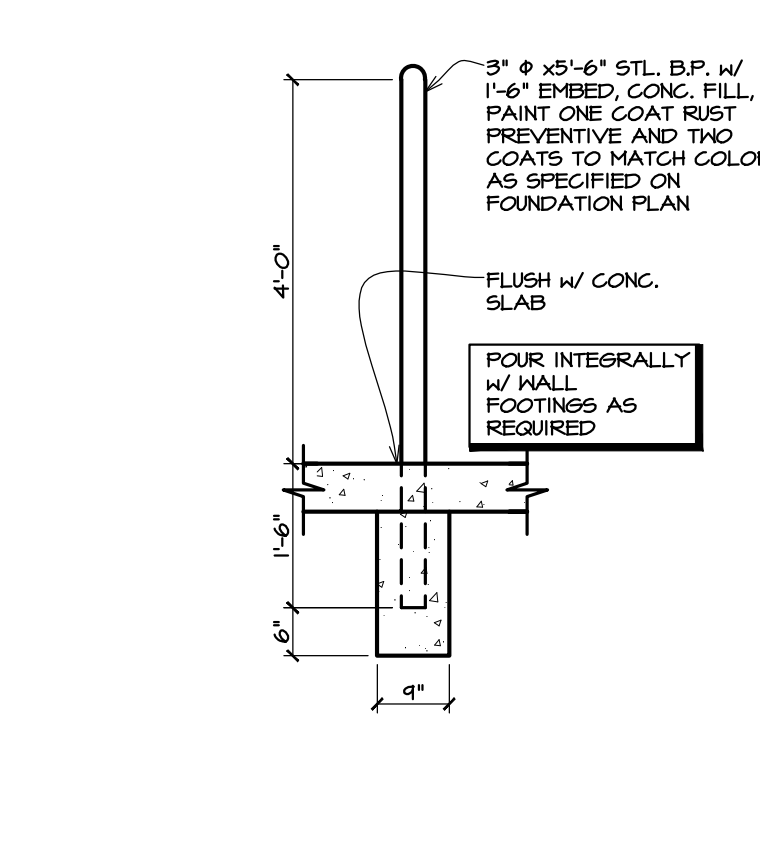
4 CONSTR. JOINT
SCALE: 1/2"=1'-0"



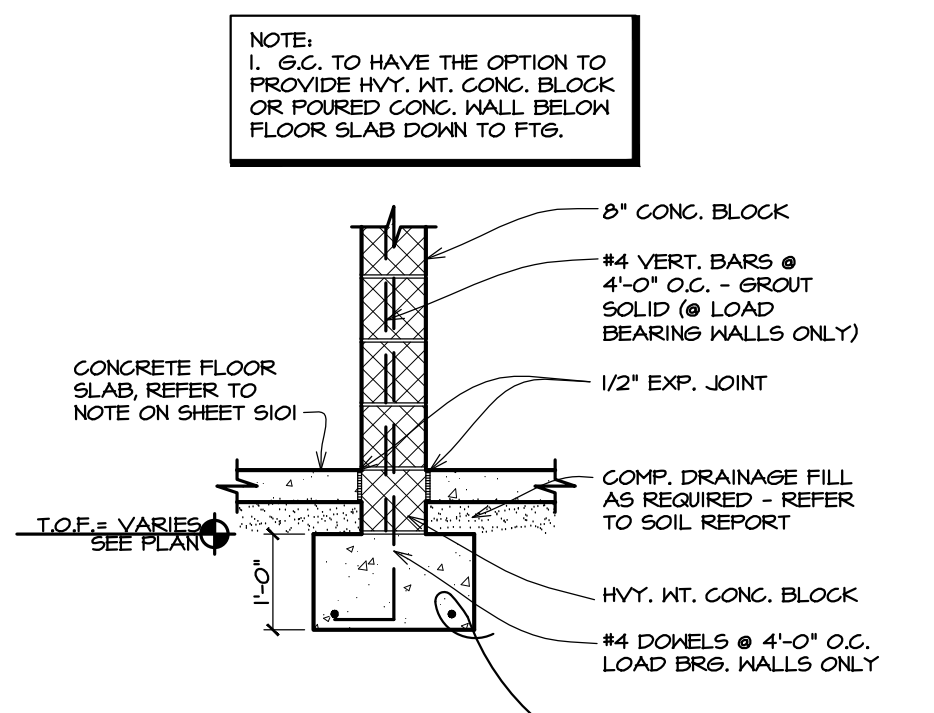
5 8" BUMP POST
SCALE: 1/2"=1'-0"



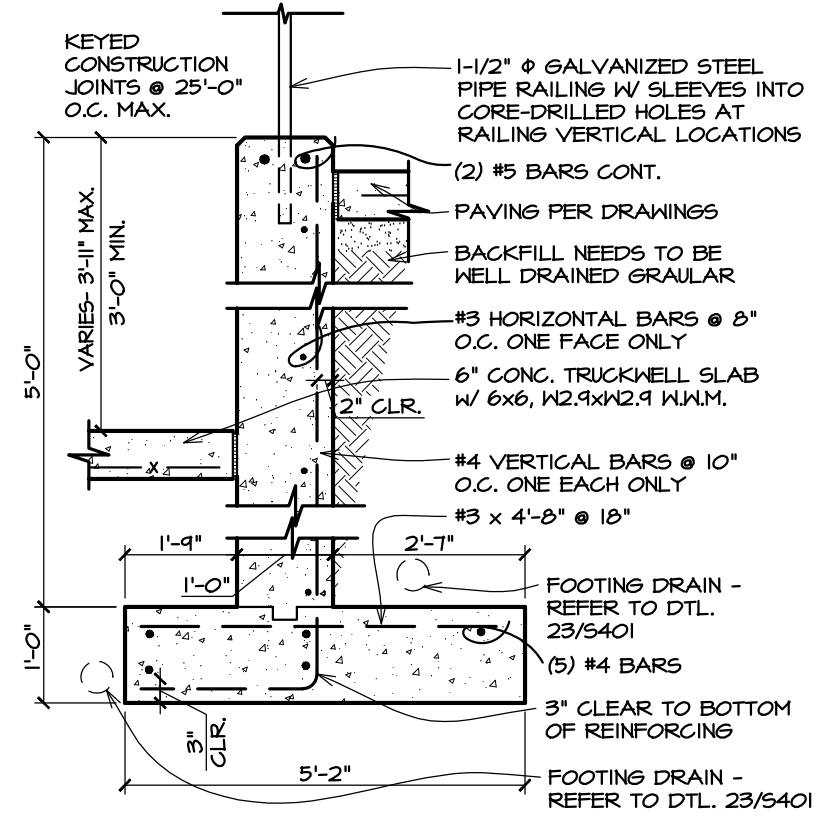
6 6" BUMP POST
SCALE: 1/2"=1'-0"



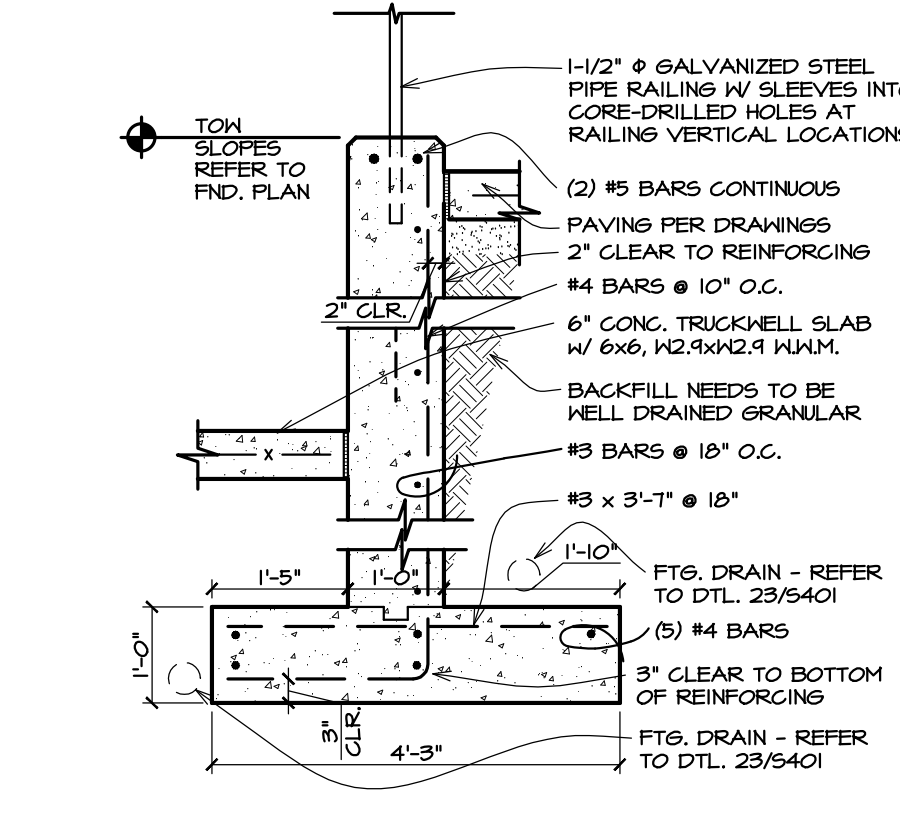
7 3" BUMP POST
SCALE: 1/2"=1'-0"



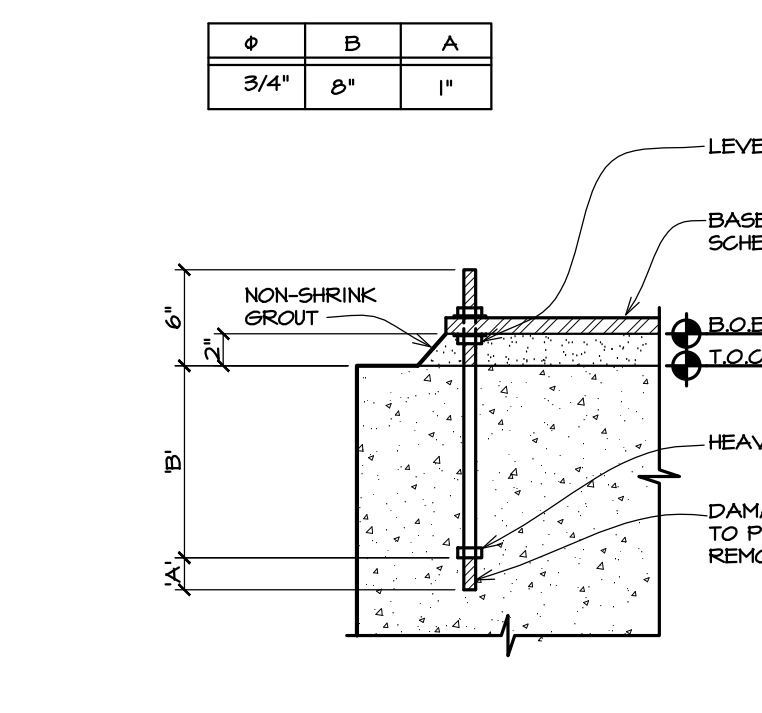
8 INT. FOUNDATION
SCALE: 1/2"=1'-0"



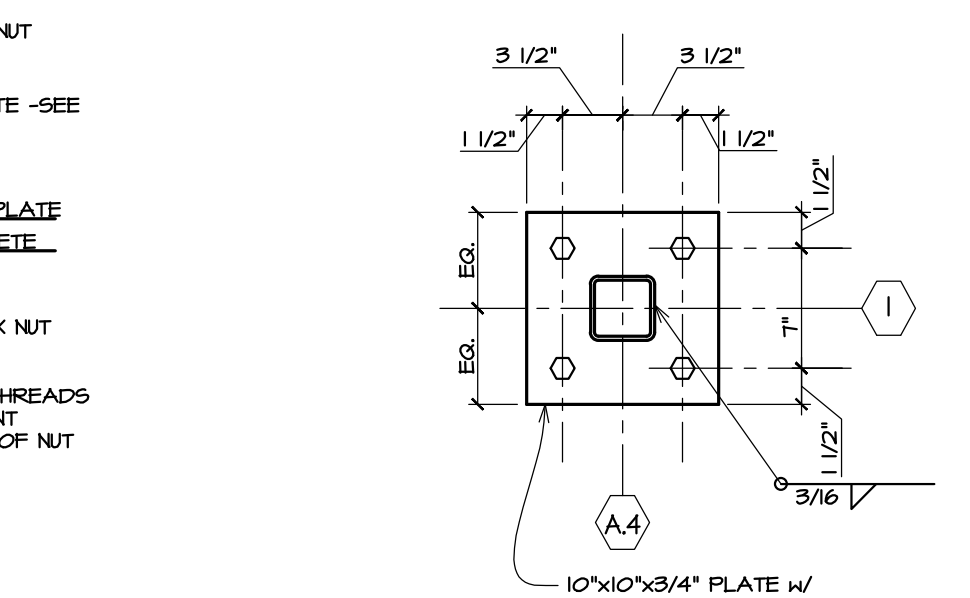
9 TRUCK WELL RETAINING WALL 3'-0" TO 3'-11" HIGH
SCALE: 1/2"=1'-0"



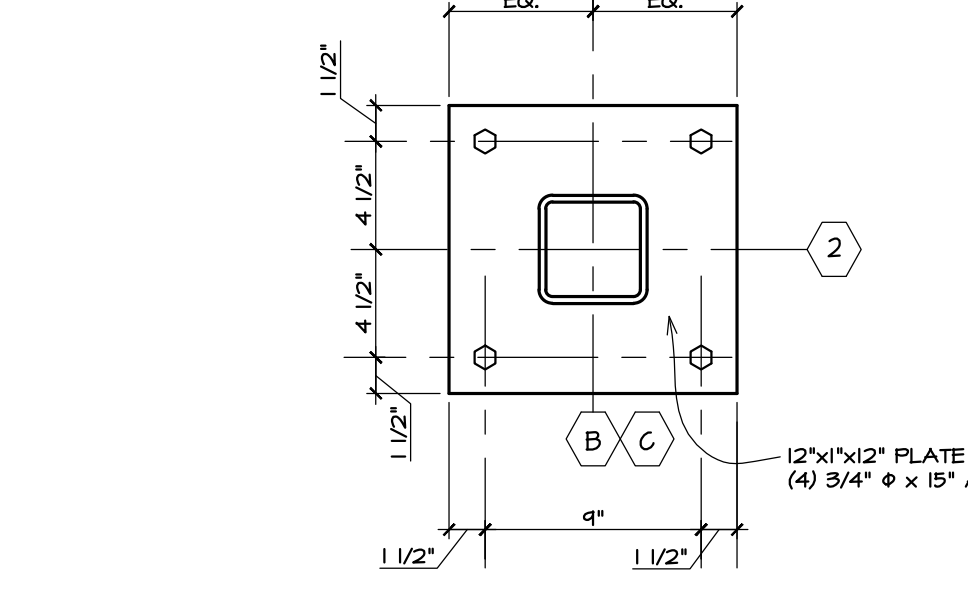
10 TRUCK WELL RETAINING WALL GRADE TO 3'-0" HIGH
SCALE: 1/2"=1'-0"



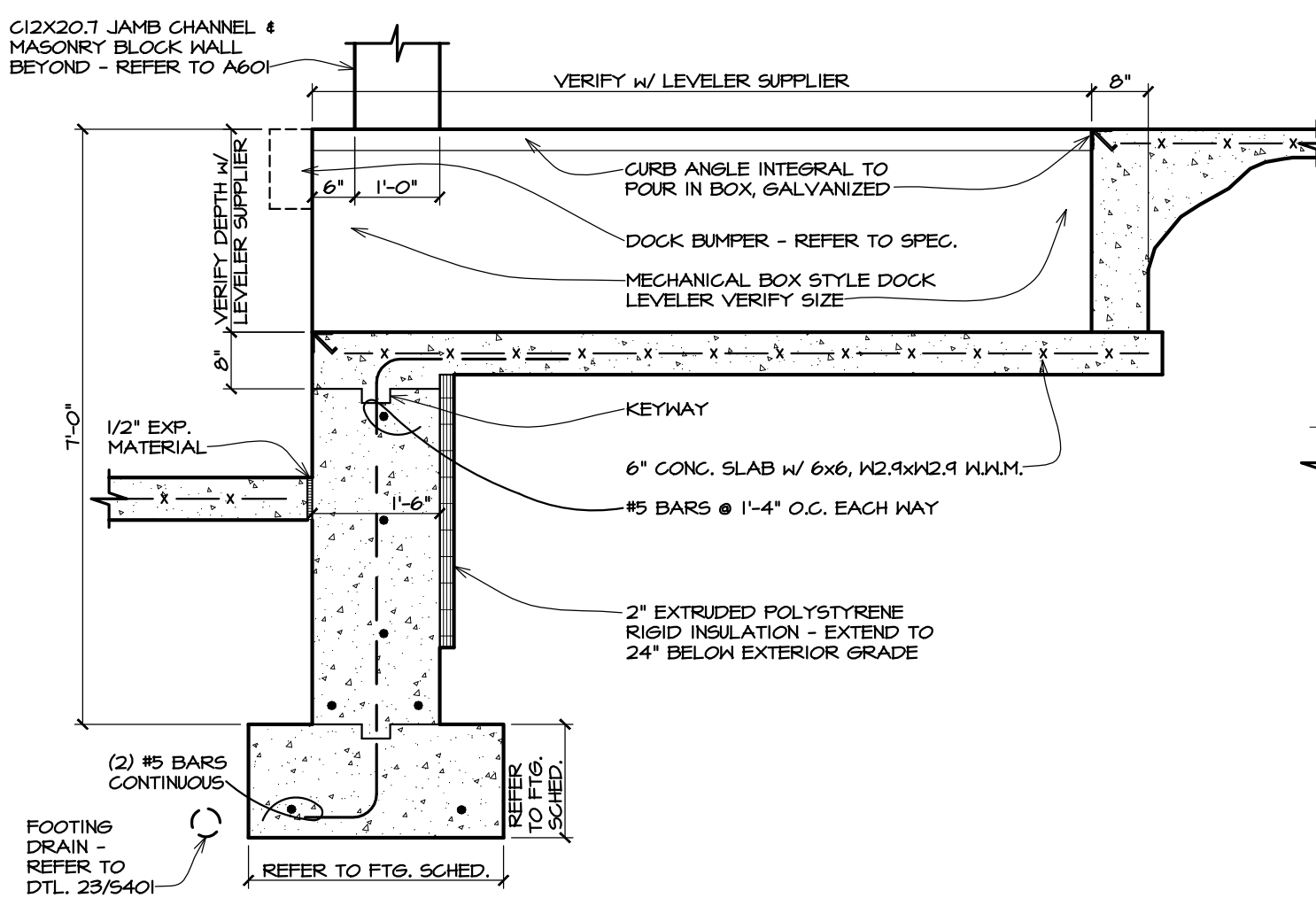
11 TYP. ANCHOR ROD DETAIL
SCALE: 1"=1'-0"



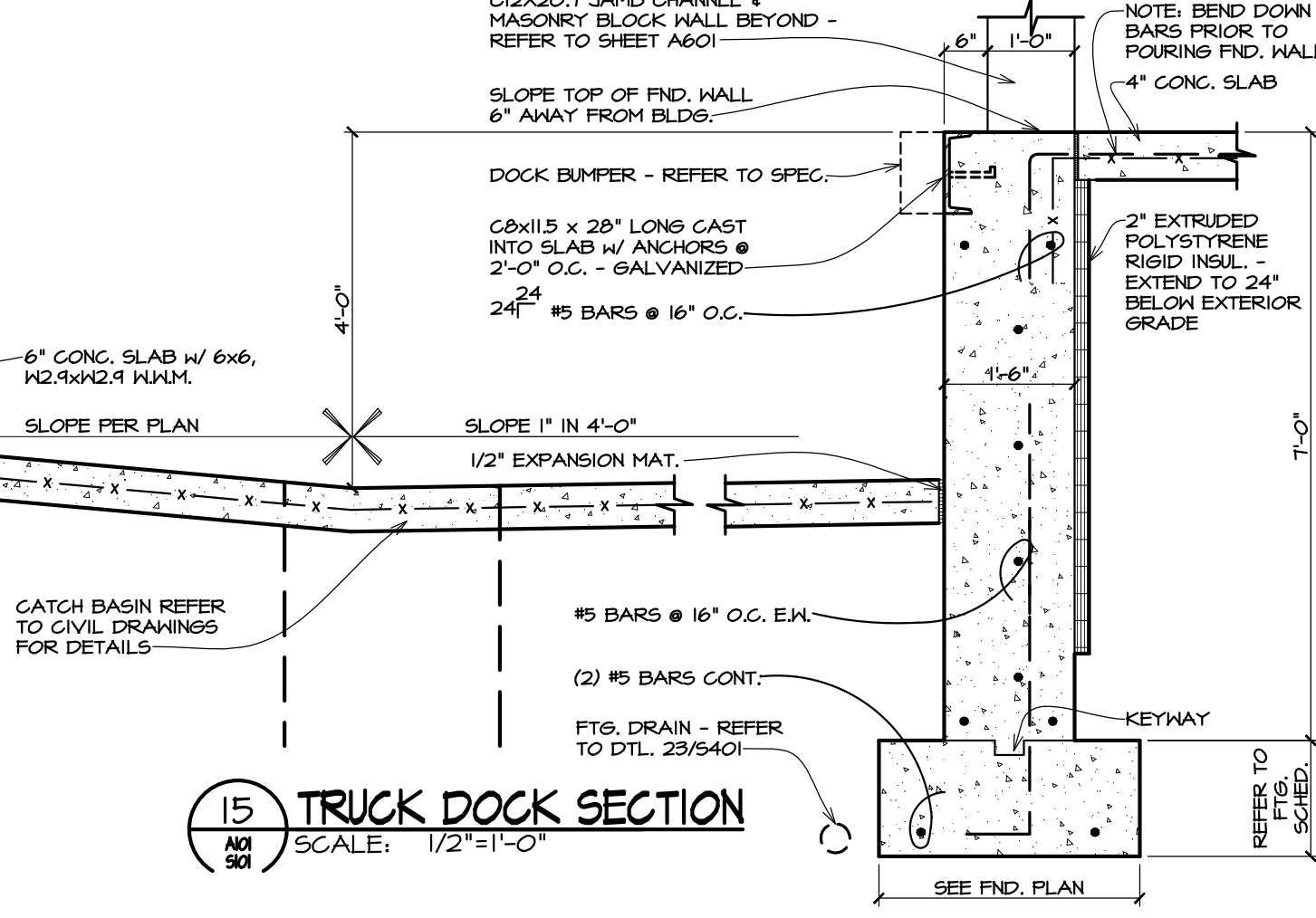
12 4" TS COL. BRG. PL.
SCALE: 1/2"=1'-0"



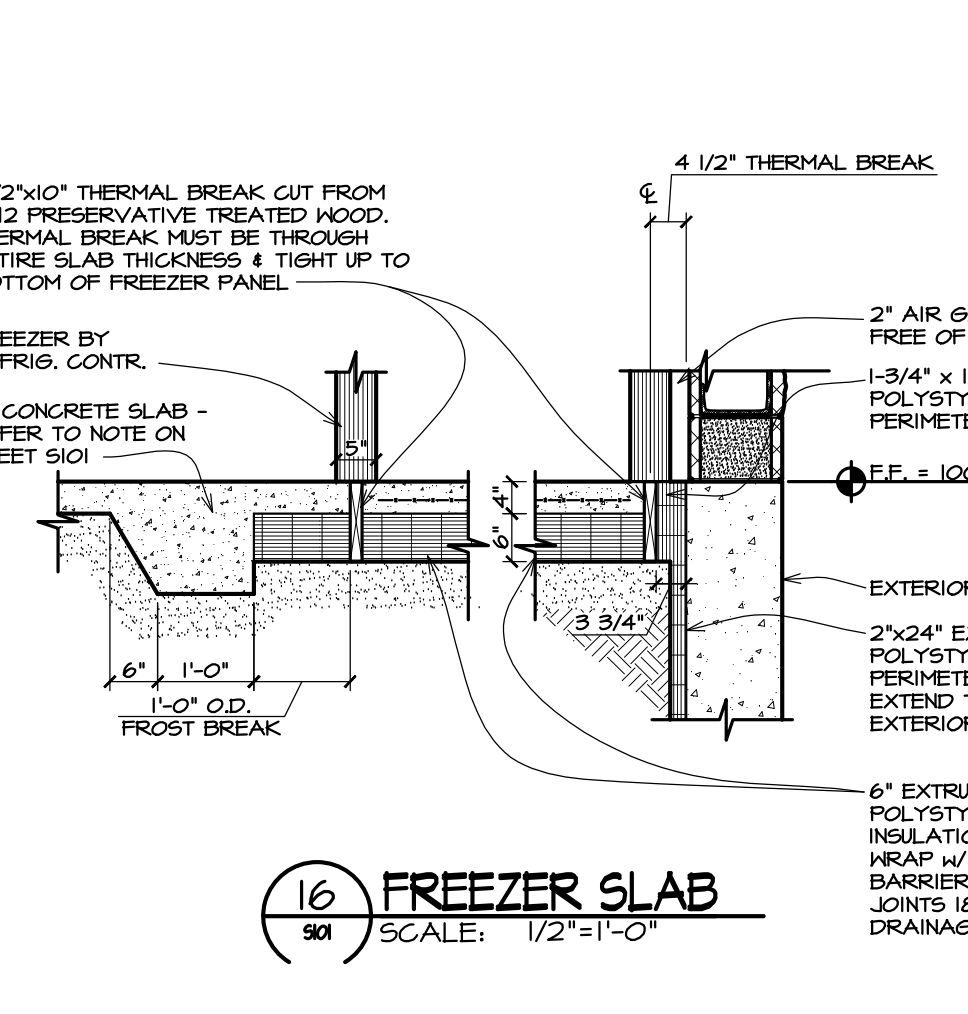
13 6" TS COL. BRG. PL.
SCALE: 1/2"=1'-0"



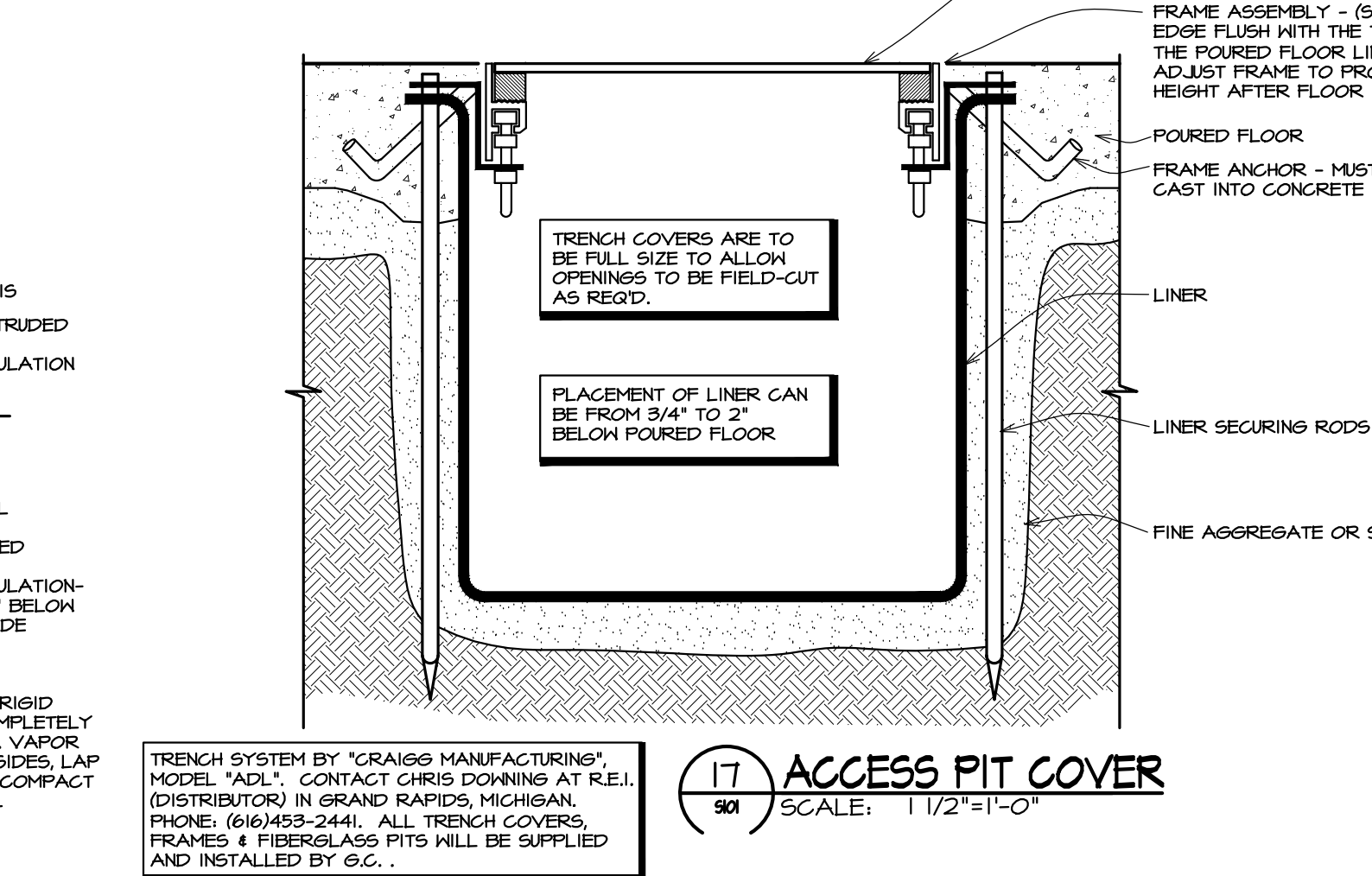
14 TRUCK DOCK LEVELER SECTION
SCALE: 1/2"=1'-0"



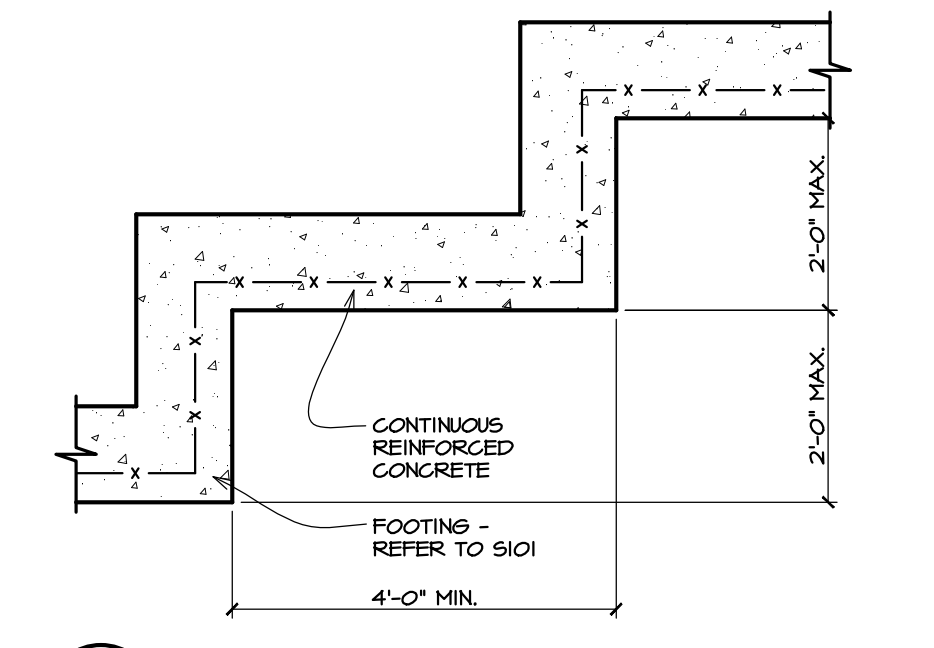
15 TRUCK DOCK SECTION
SCALE: 1/2"=1'-0"



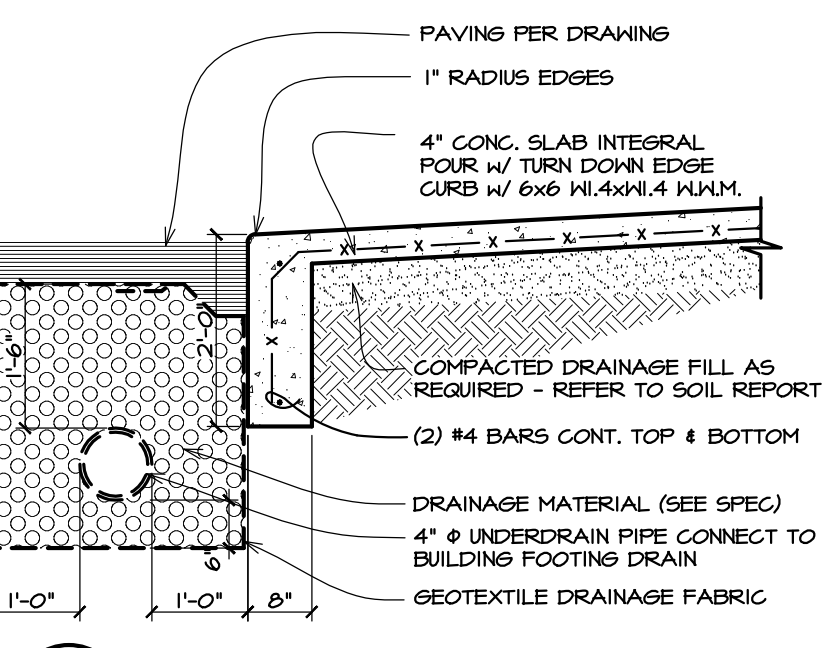
16 FREEZER SLAB
SCALE: 1/2"=1'-0"



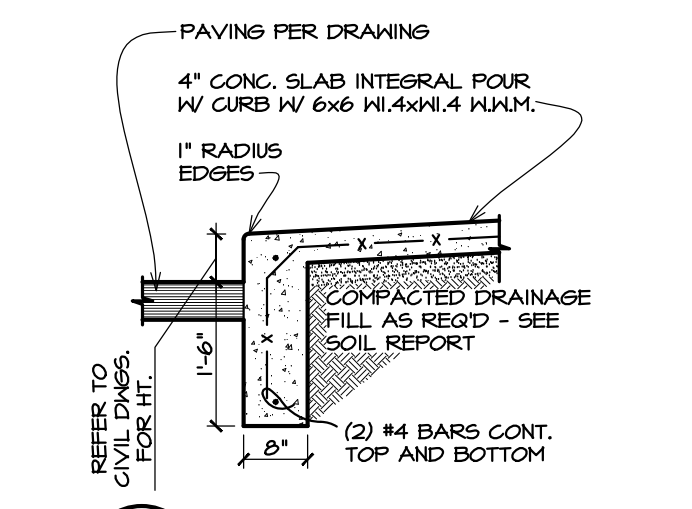
17 ACCESS PIT COVER
SCALE: 1/2"=1'-0"



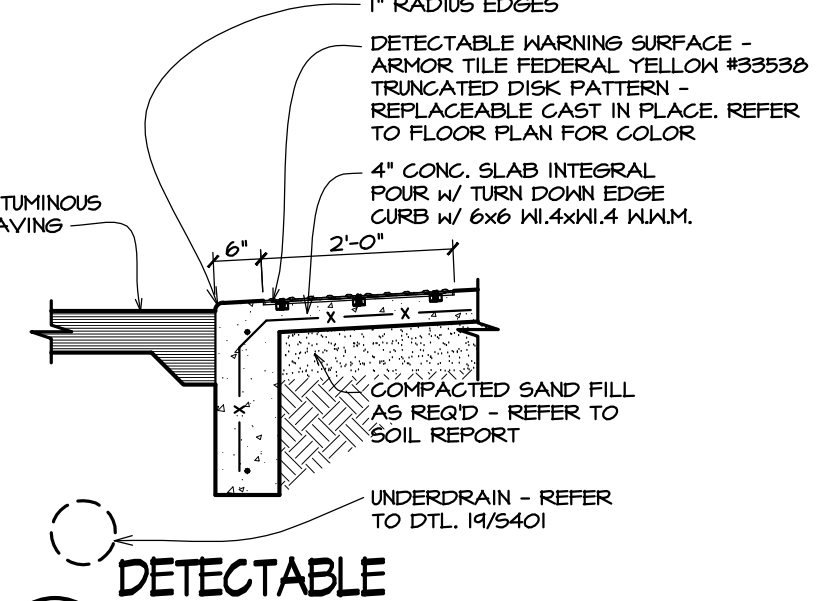
18 STEP FOOTING (TYP.)
SCALE: 1/2"=1'-0"



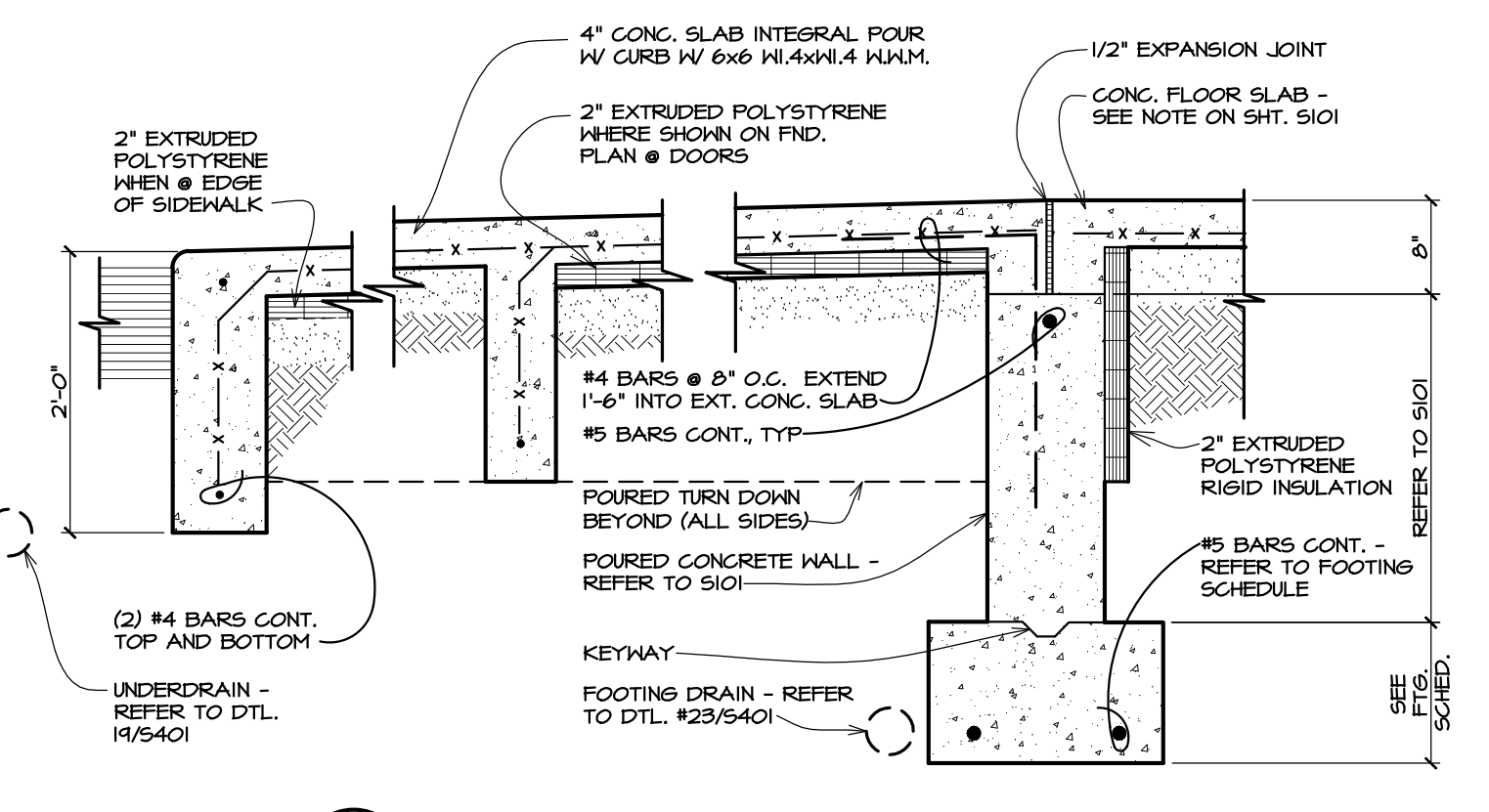
19 EXTERIOR SLAB EDGE
SCALE: 1/2"=1'-0"



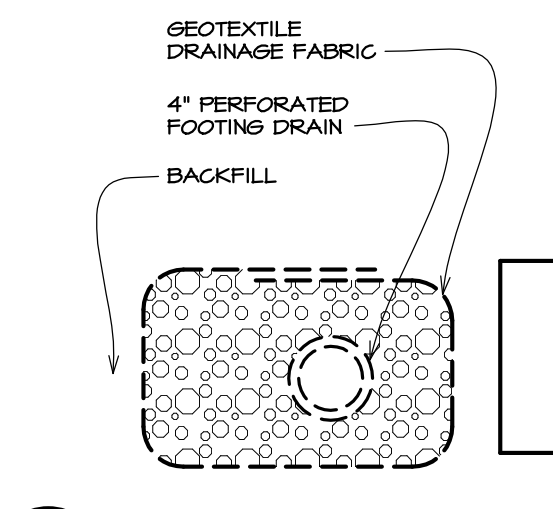
20 SIDEWALK DETAIL
SCALE: 1/2"=1'-0"



21 DETECTABLE WARNING SURFACE DETAIL
SCALE: 1/2"=1'-0"



22 ANTI-HEAVE SIDEWALK DETAIL
SCALE: 3/4"=1'-0"



23 PERIMETER DRAIN
SCALE: 1"=1'-0"

Wednesday, July 10, 2013 at 10:11am © 1105054 GFS Copley Township OH Arcora (Draughts) Architecture (S)01-054.dwg

ARCHITECTS • CIVIL ENGINEERS

paradigm design

550 3 MILE N.W.
SUITE B
GRAND RAPIDS, MI 49544

PHONE (616) 785-5656
FAX (616) 785-5657
WEB PARADIGMAE.COM

PROJECT

GFS MARKETPLACE

COPLEY TOWNSHIP

TEMP 120 ROTHROCK ROAD
AKRON, OH

BLDG OWNER:

GFS MARKETPLACE REALTY FIVE, LLC

P.O. BOX 1812
GRAND RAPIDS, MI

RELEASE DATE

4-23-12 OWNER REVIEW
4-27-12 FOR PERMITS & CONSTRUCTION
5-21-12 FOR PERMITS, BIOS & CONSTRUCTION

PROJECT

1105054

SHEET

S 401