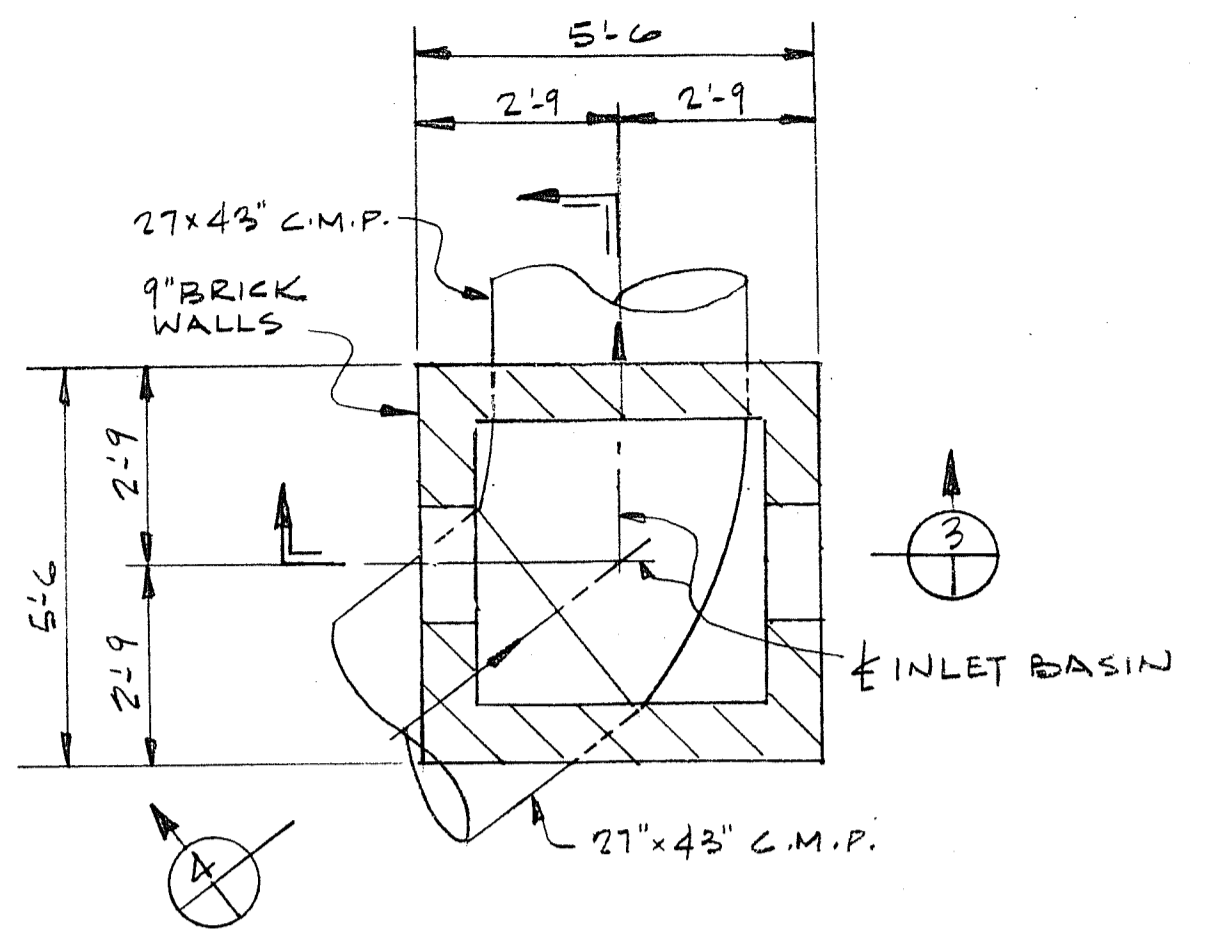
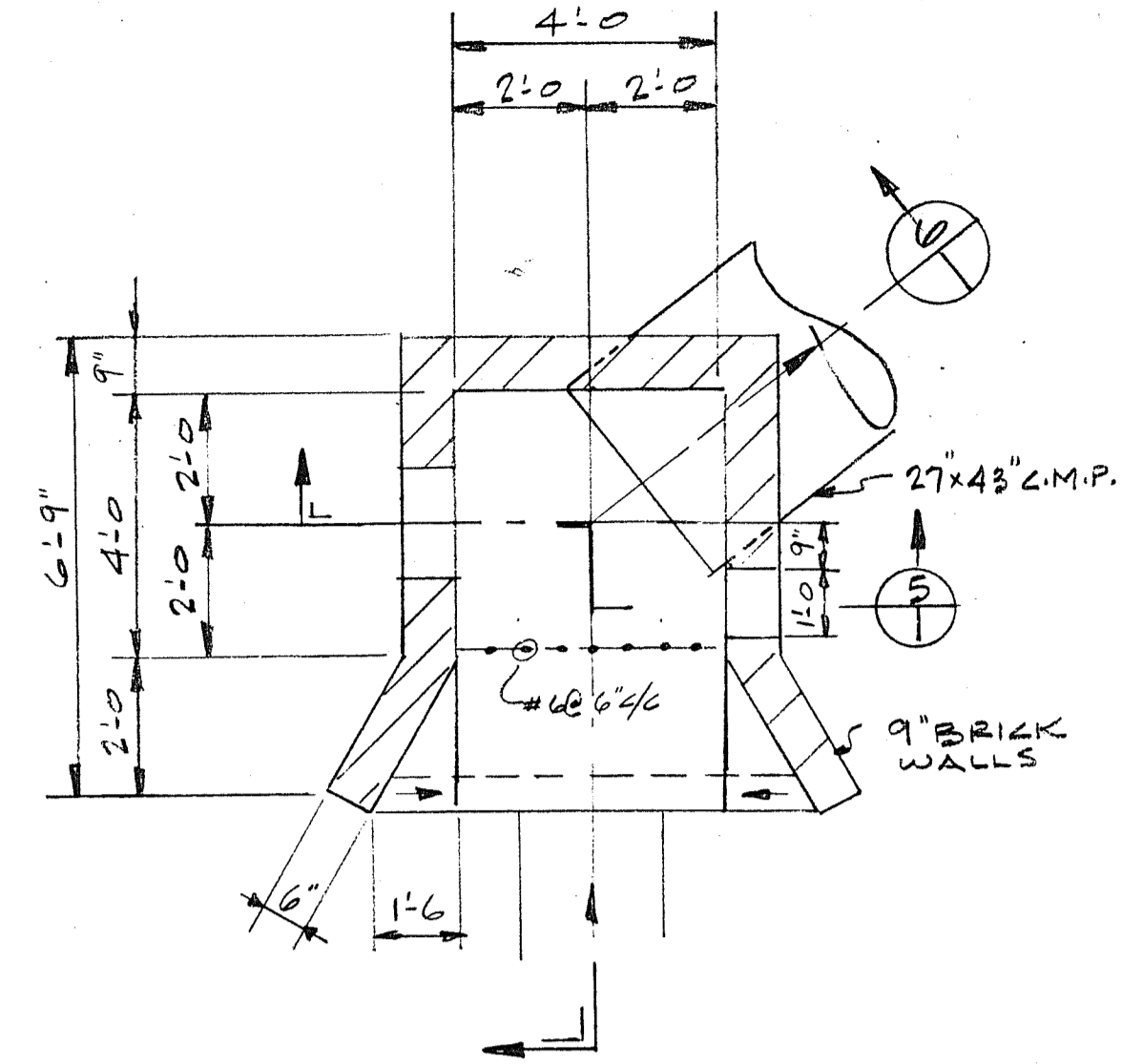


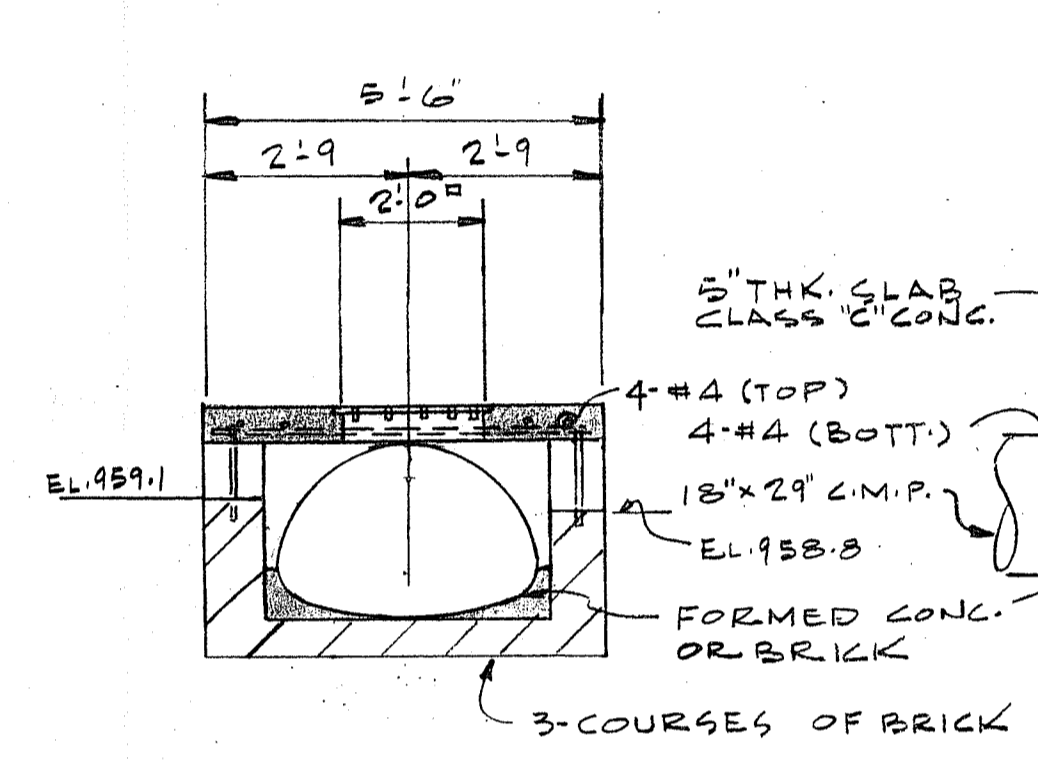
SECTIONAL PLAN



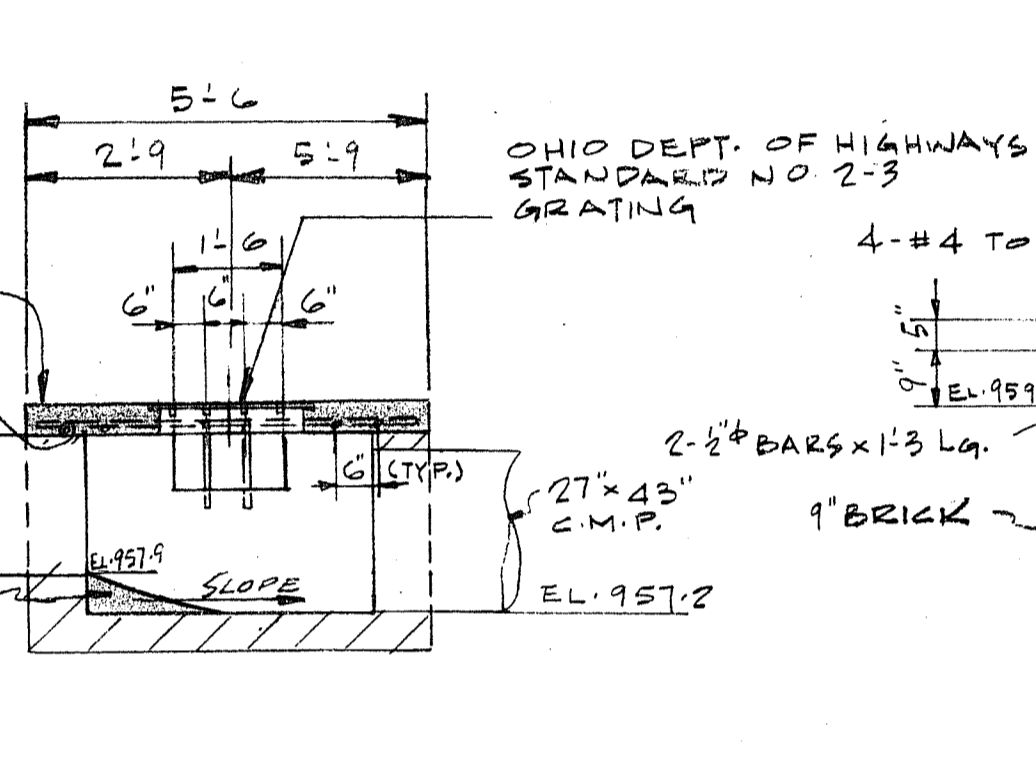
SECTIONAL PLAN



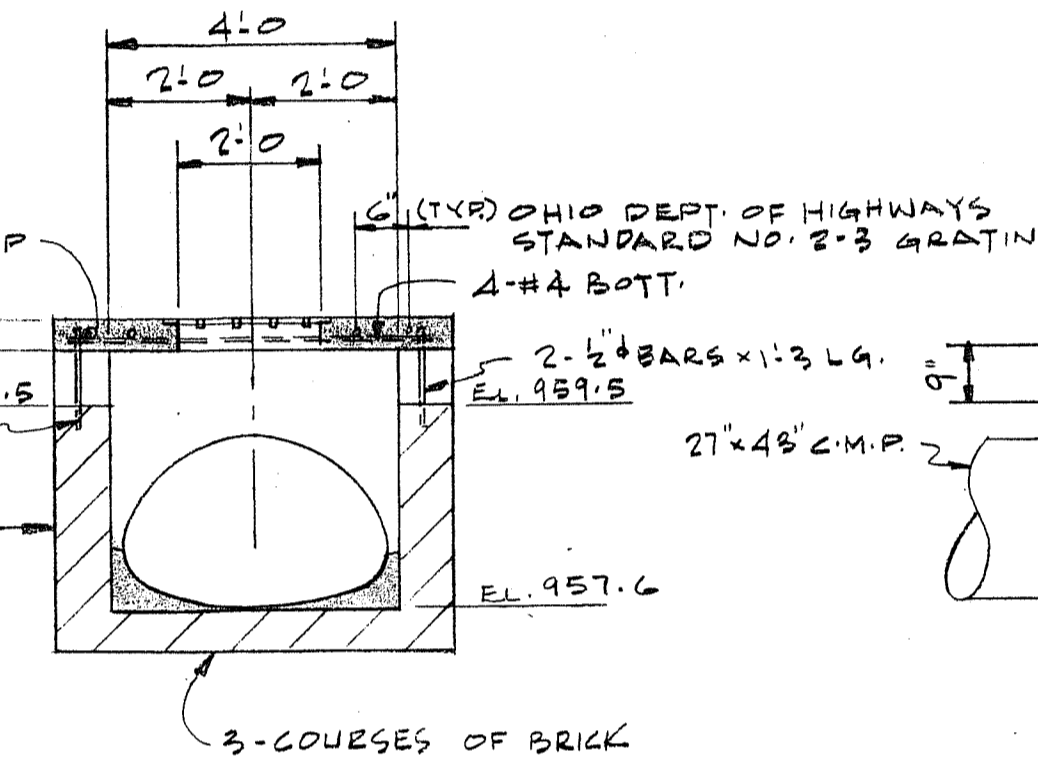
SECTIONAL PLAN



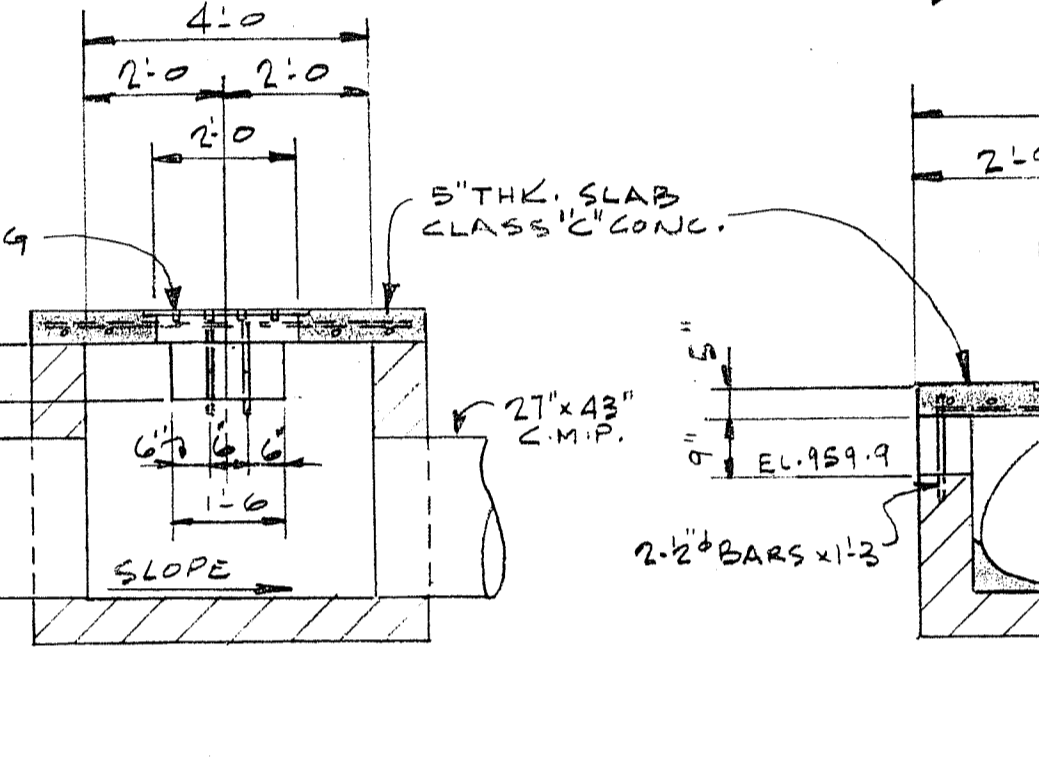
SECTION 1



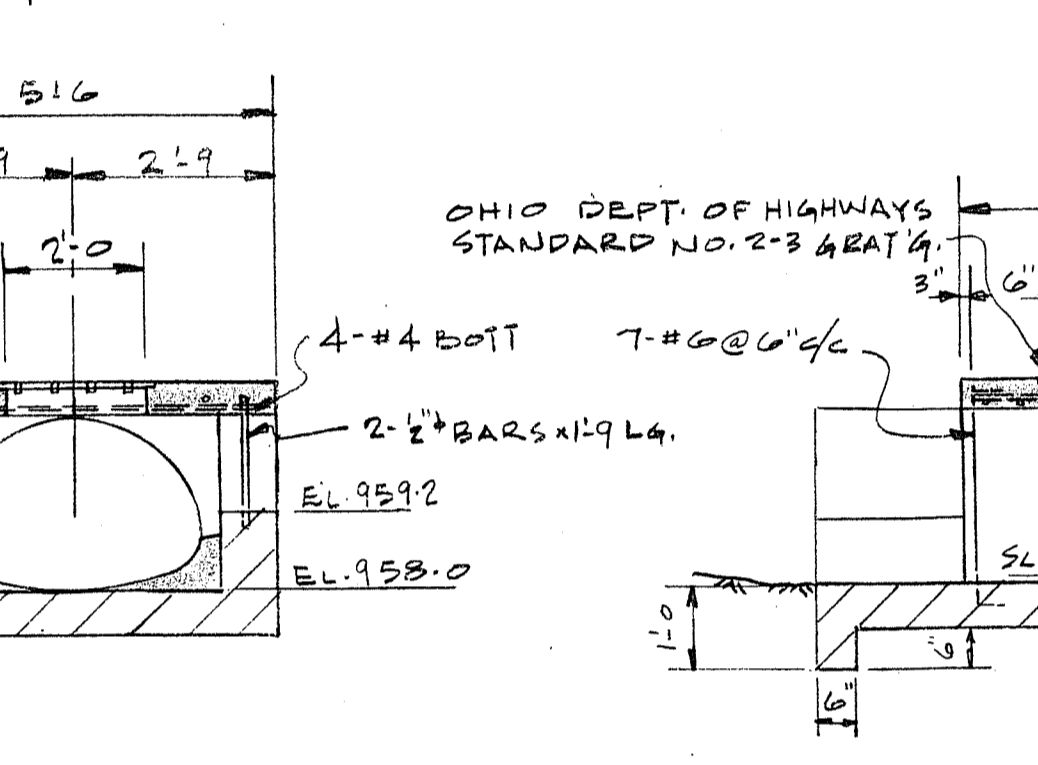
SECTION 2



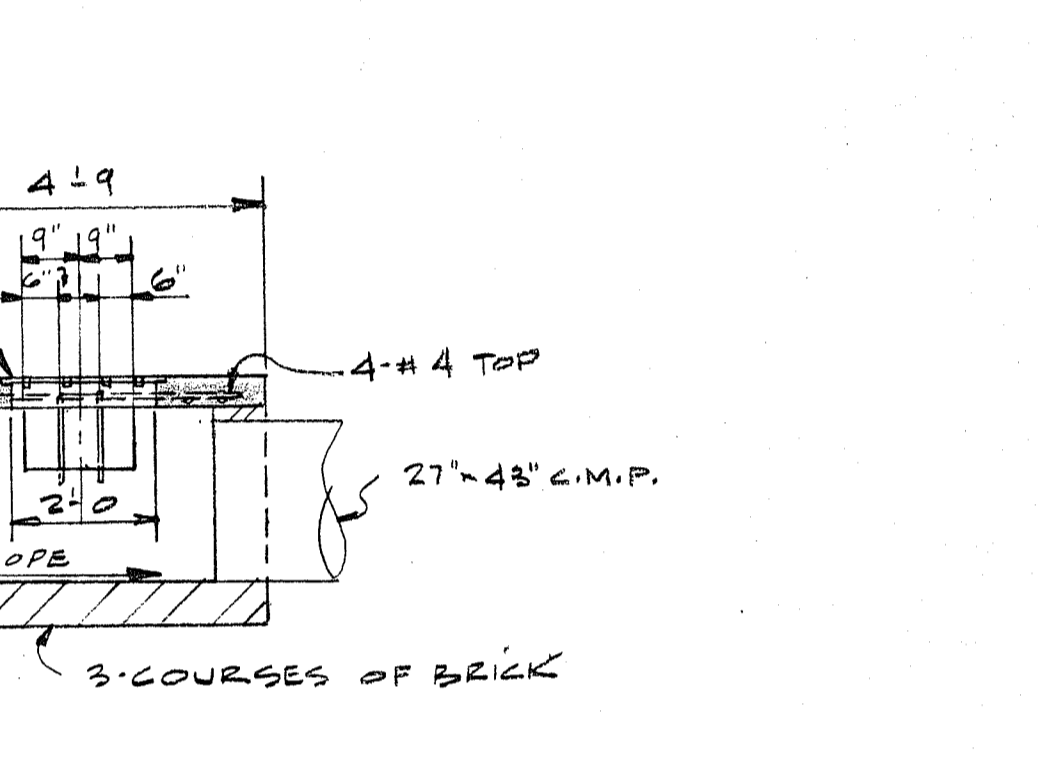
SECTION 3



SECTION 4



SECTION 5

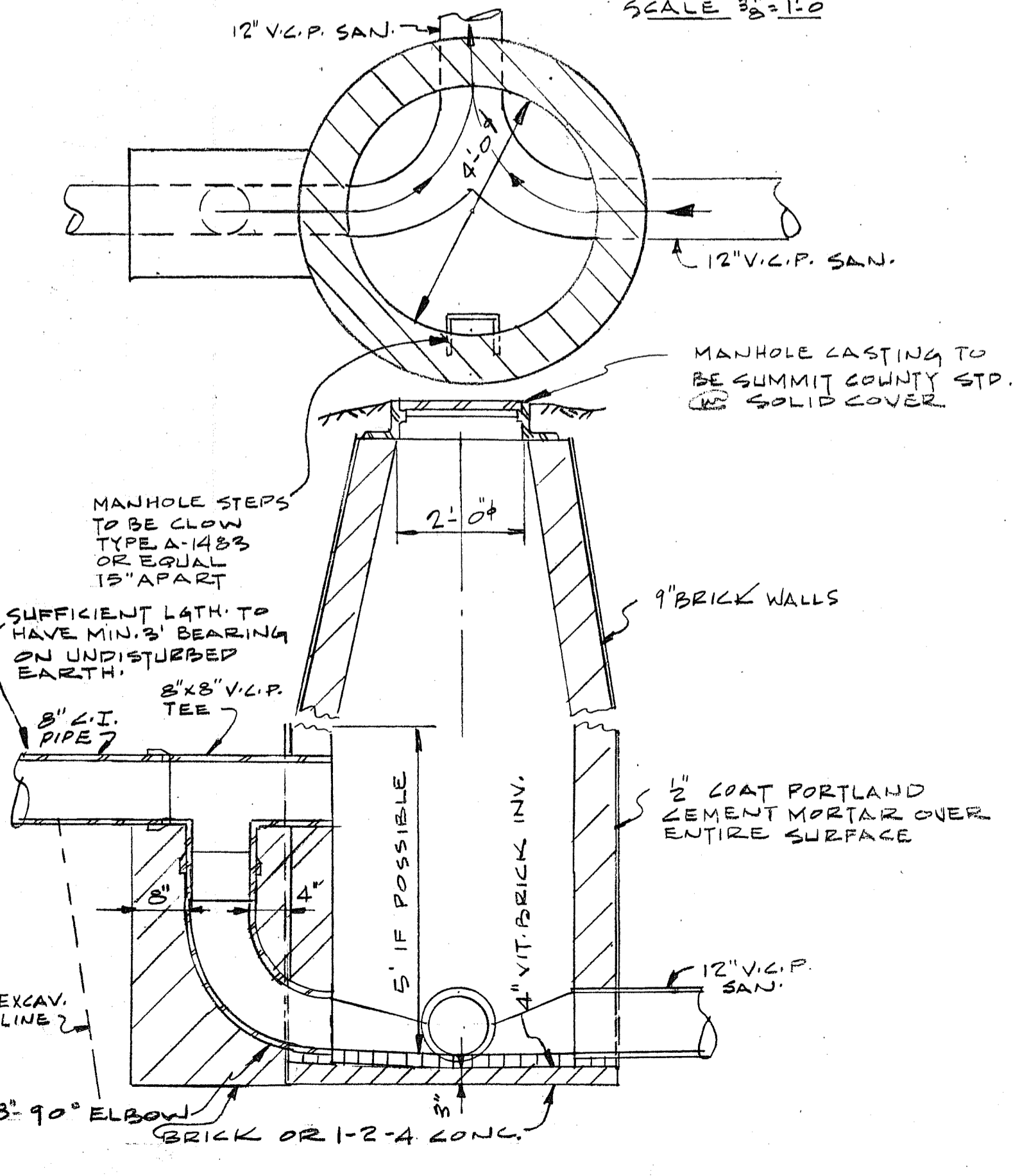


SECTION 6

DETAIL OF INLET BASIN ON N. OAKMONT AT STA. 19+20
SCALE 3/8"=1'-0"

DETAIL OF INLET BASIN ON N. OAKMONT AT STA. 20+25
SCALE 3/8"=1'-0"

DETAIL OF INLET BASIN ON N. OAKMONT AT STA. 19+60
SCALE 3/8"=1'-0"



DROP MANHOLE
SCALE 1/2"=1'-0"

2 2			
SKYHAVEN SUBDIVISION			
DETAILS			
H.P. PETERSON - CIVIL ENGINEER			
DRAWN BY	CHKD. BY	APPROVD. DATE	SCALE
R.P.E.		NOV. 1960	AS NOTED
			P5911-160-25C