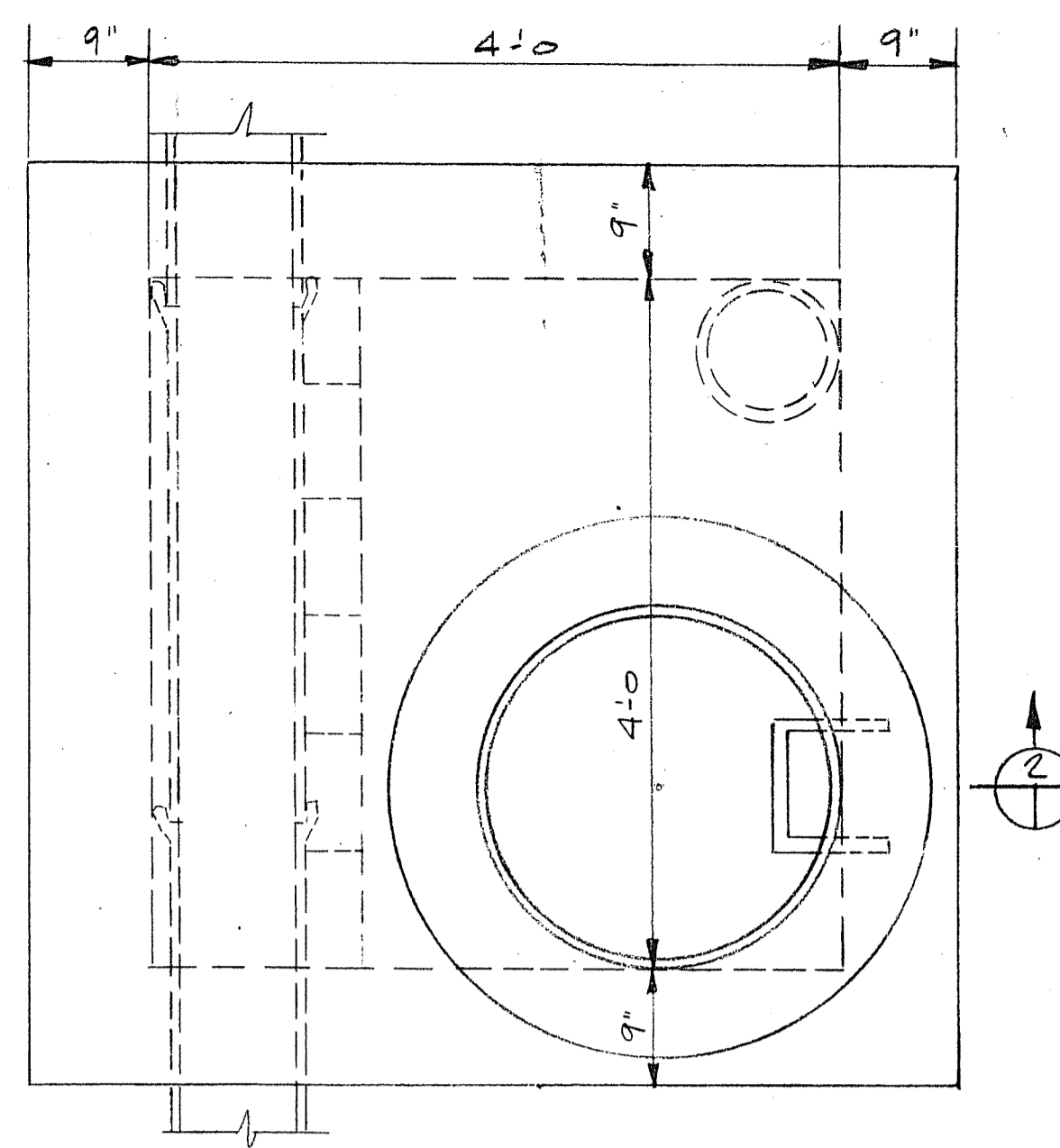
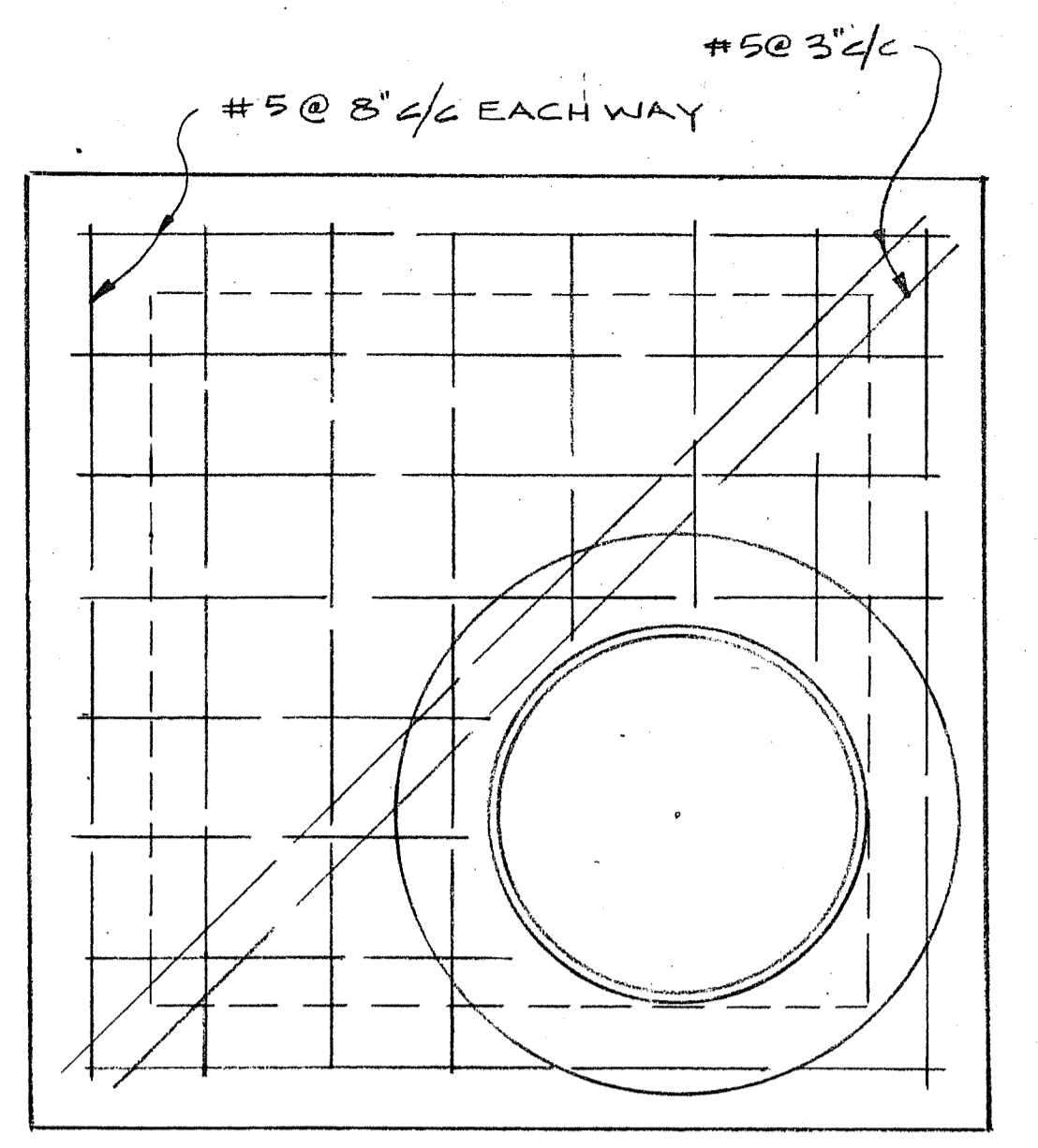


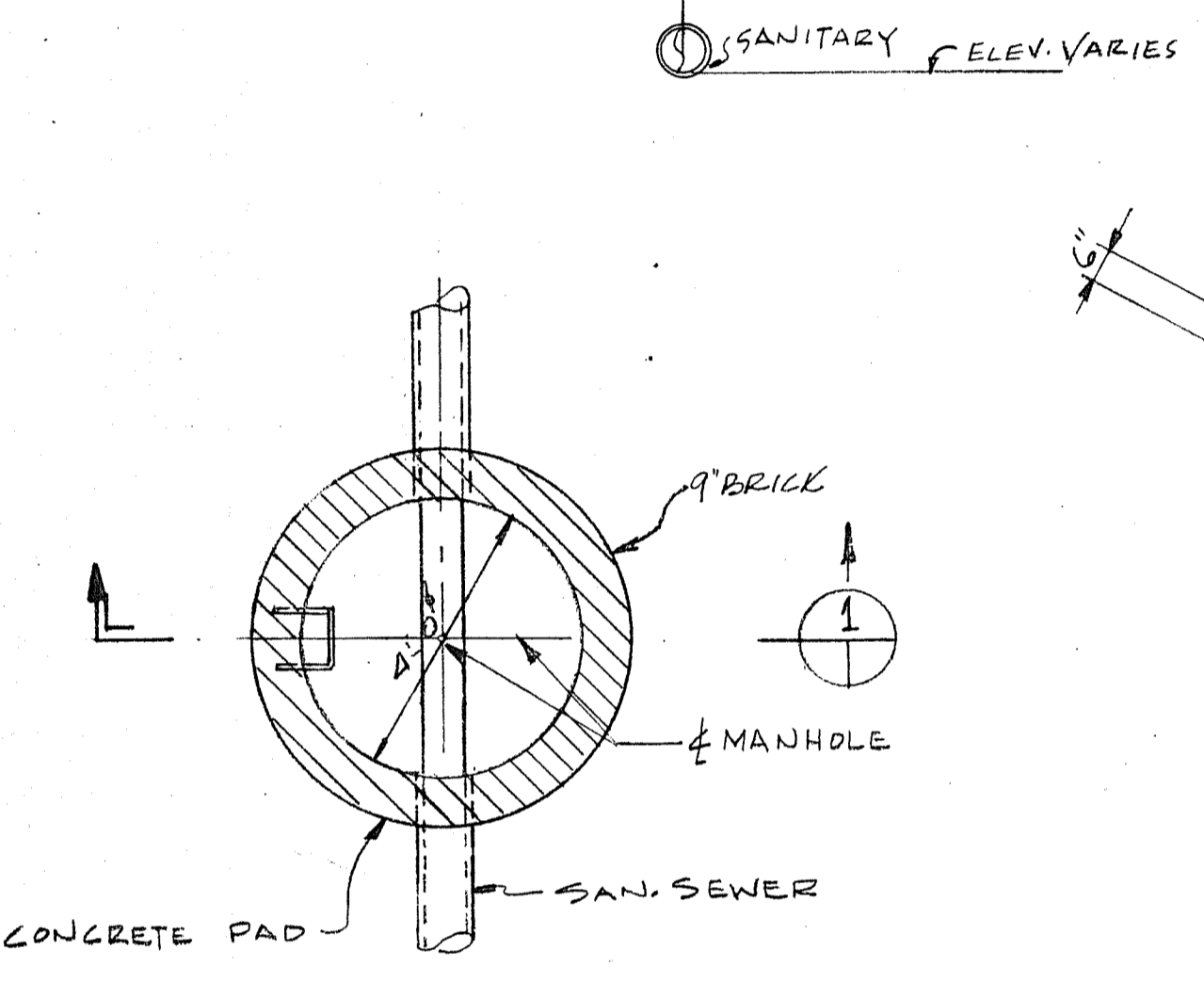
TYPICAL CROSS SECTION
SCALE 3/8"=1'-0"



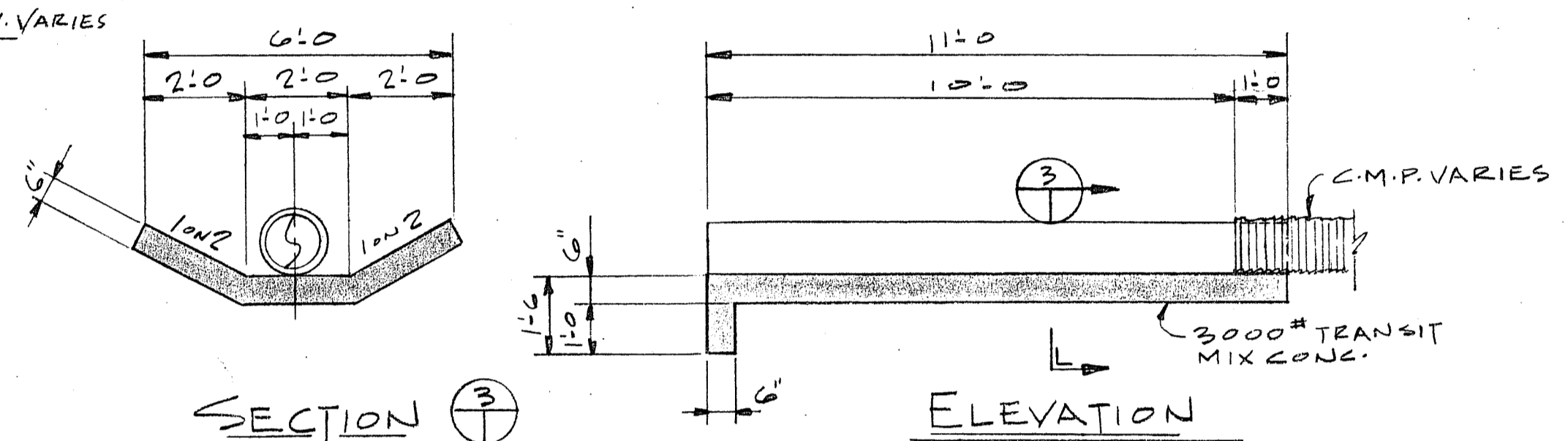
PLAN OF OFFSET MANHOLE
SCALE 1/2"=1'-0"



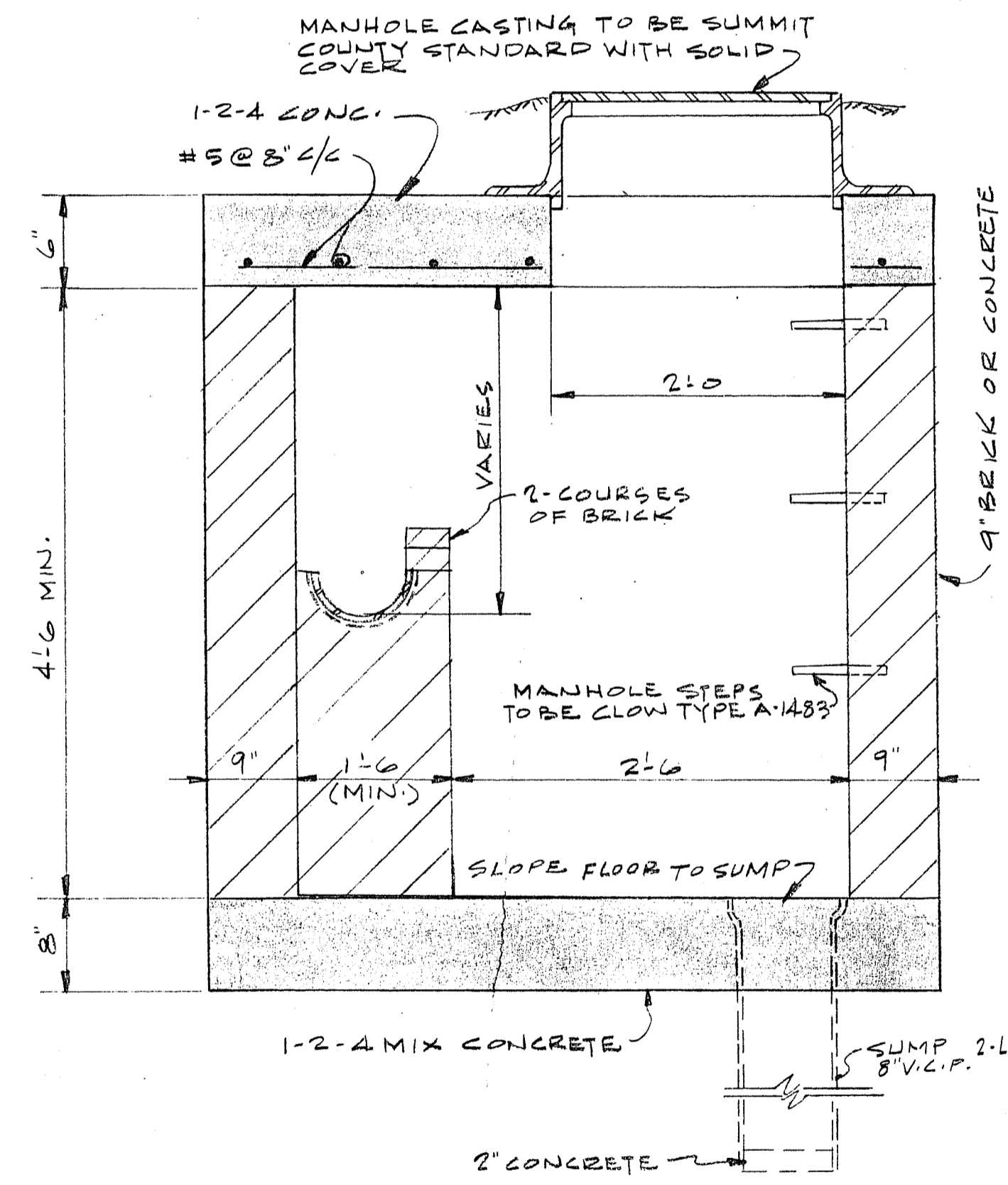
REINFORCING DETAIL
SCALE 1/2"=1'-0"



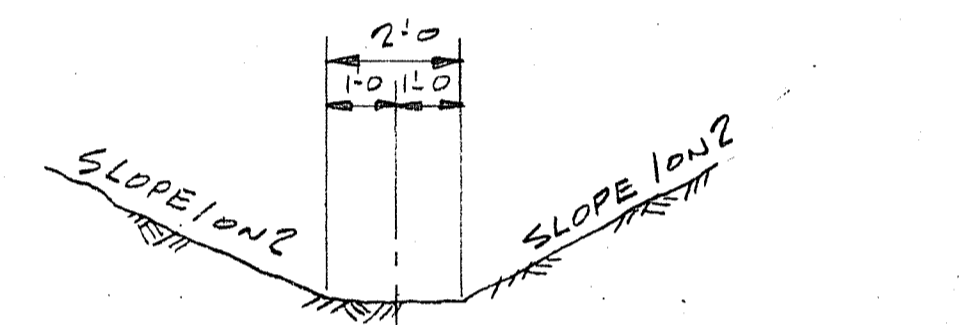
SECTIONAL PLAN



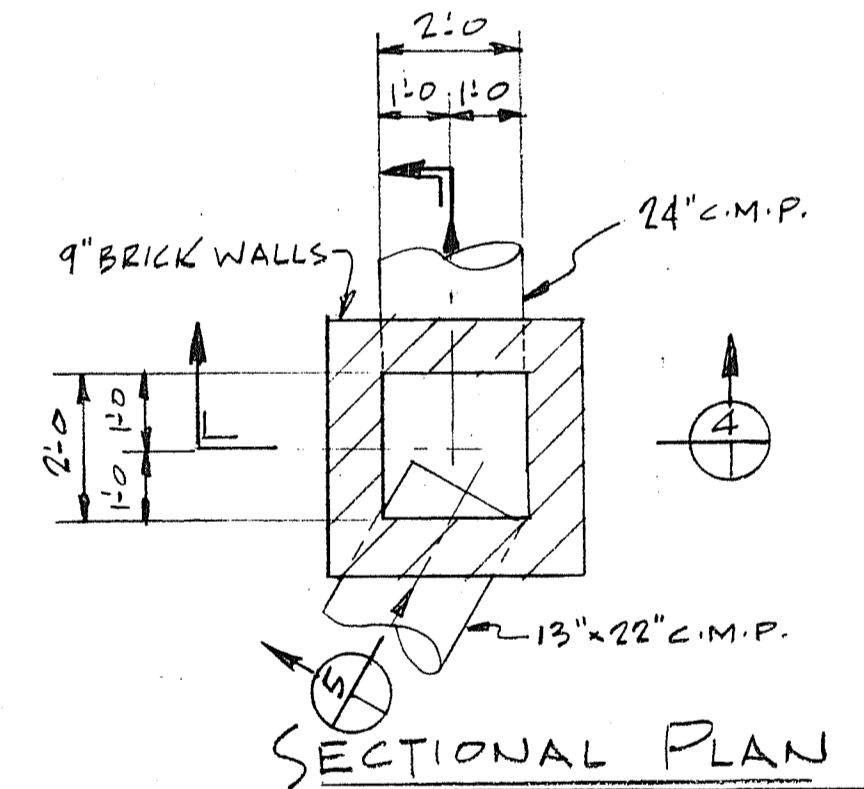
DETAIL OF CONCRETE SPILLWAY
SCALE 3/8"=1'-0"



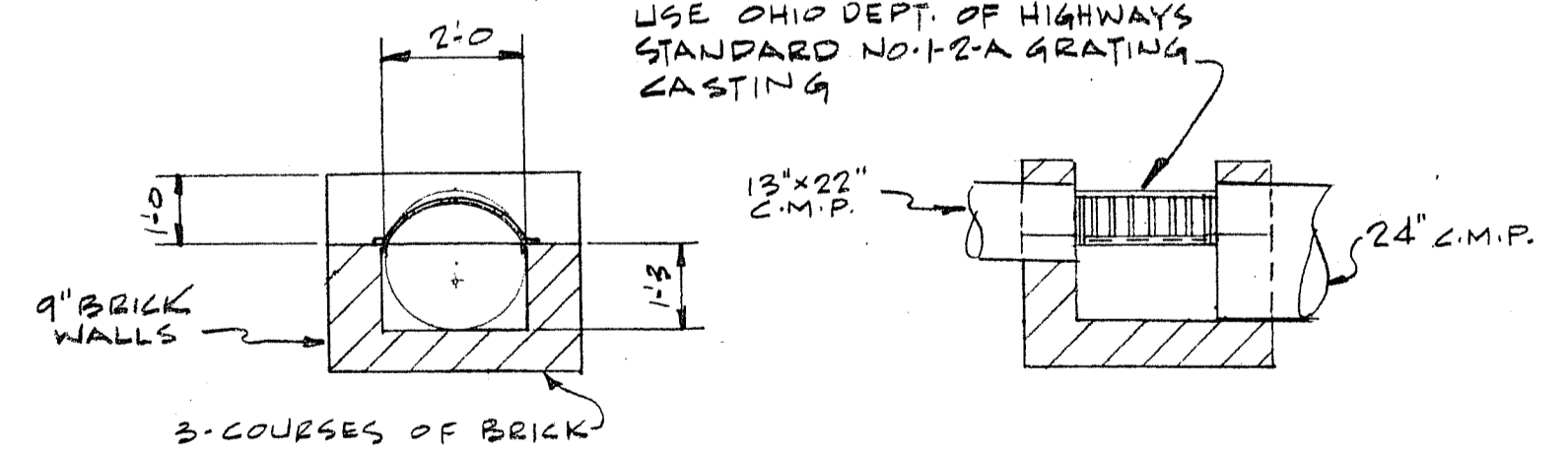
SECTION 2
SCALE 1/2"=1'-0"



TYPICAL DITCH DETAIL
AT STORM EASEMENTS
SCALE 3/8"=1'-0"



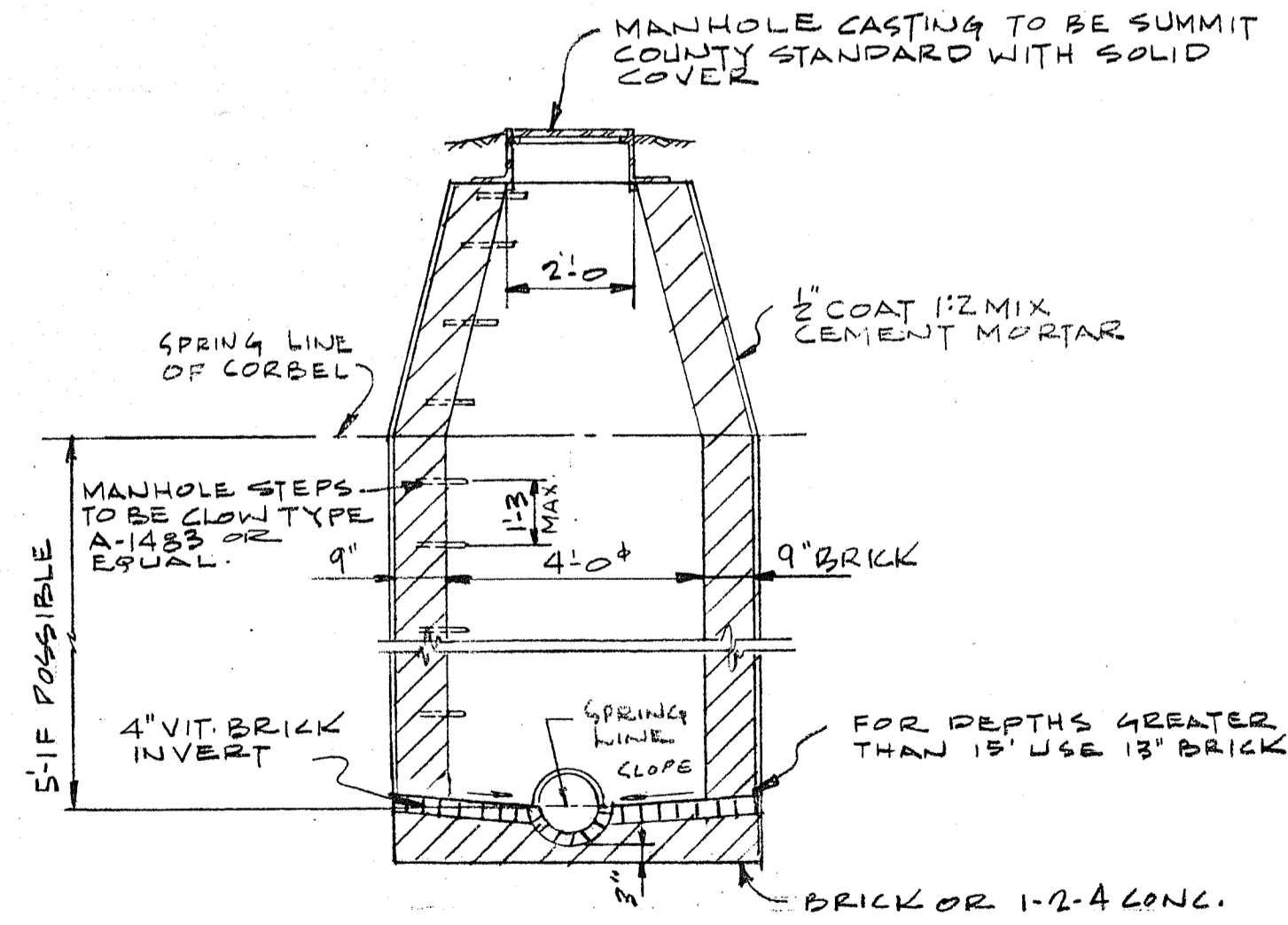
SECTIONAL PLAN



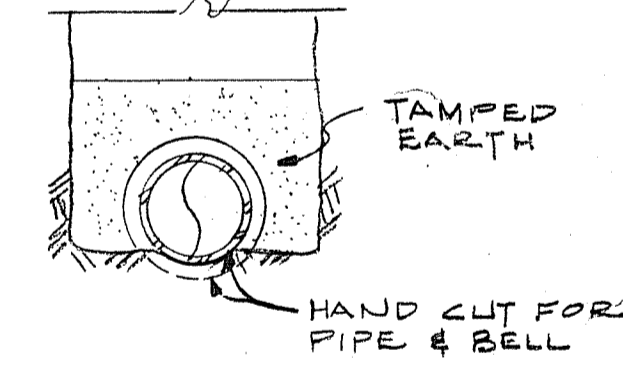
SECTION 4

SECTION 5

DETAIL OF INLET BASIN ON N. OAKMONT AT STA. 7+92#
SCALE 3/8"=1'-0"



SECTION 1
STANDARD BRICK MANHOLE
SCALE 3/8"=1'-0"



TYP. TRENCH DETAIL

1. ADDED DETAILS 11-21-60		1/2
SKYHAVEN SUBDIVISION		
DETAILS		
H. P. PETERSON - CIVIL ENGINEER		
DRAWN BY E.P.E.	CHKD BY MLS	APPEND DATE AUG. 1960
SCALE AS NOTED		PE 911-160-26C