

DATE 7-20-01
7-19-08
7-15-05

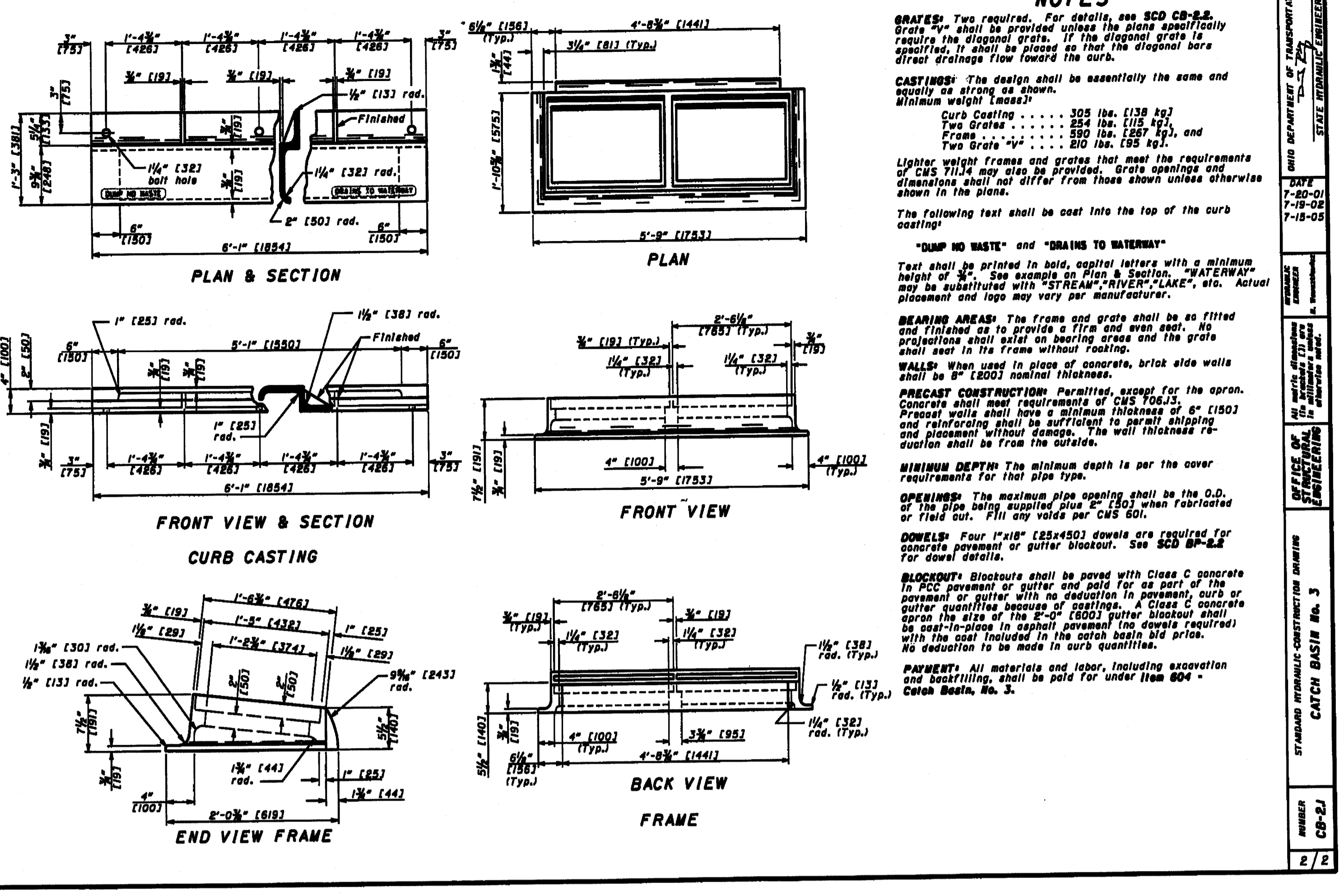
OFFICE OF TRANSPORTATION ENGINEERING

STANDARD HYDRAULIC CONSTRUCTION DRAWING

CATCH BASIN No. 3

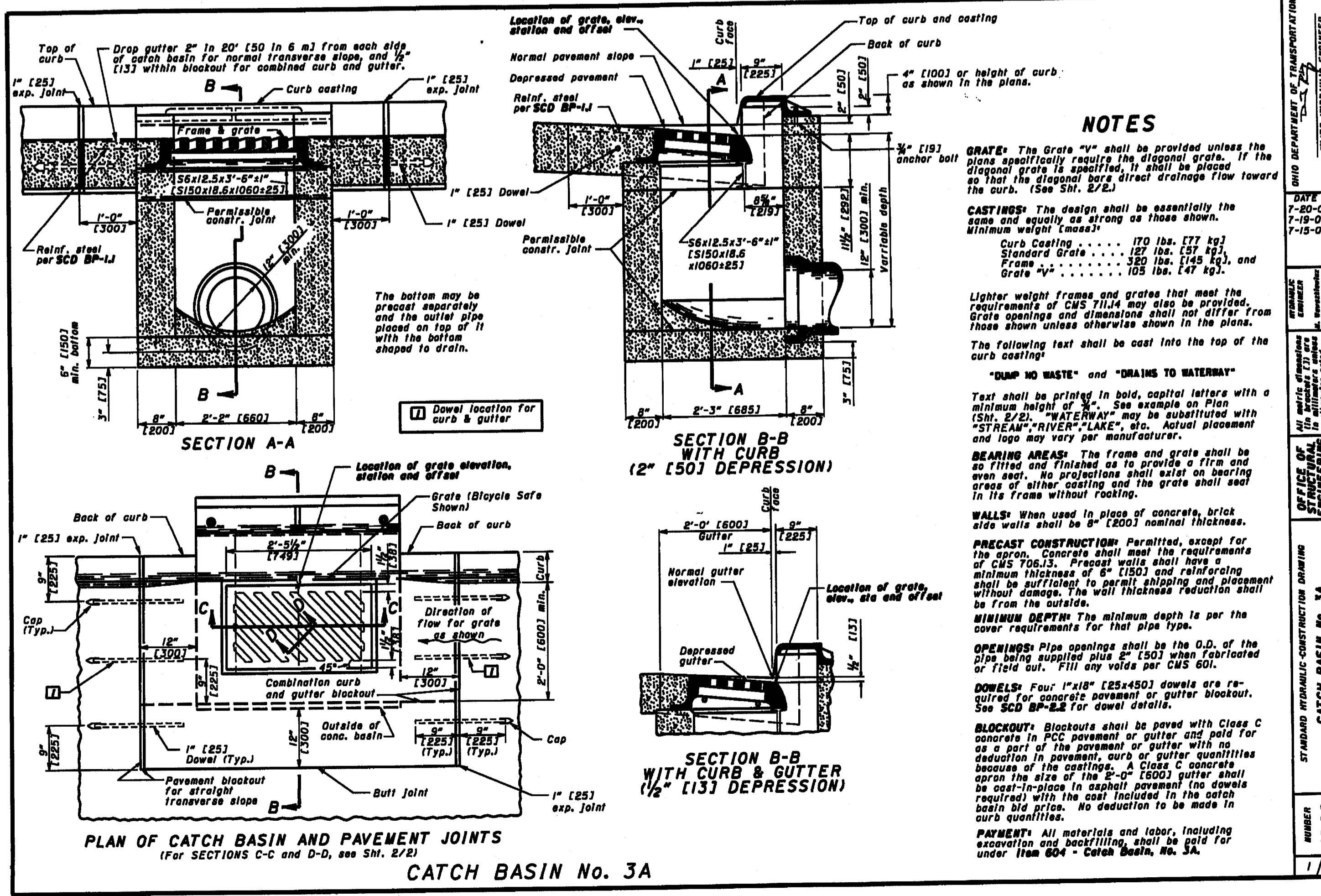
NUMBER CB-2J

1/2



REVISIONS

GBC DESIGN, INC.
3878 West Market St. Akron, OH 44333-3886
Phone: 330-886-0228



DATE 7-20-01
7-19-08
7-15-05

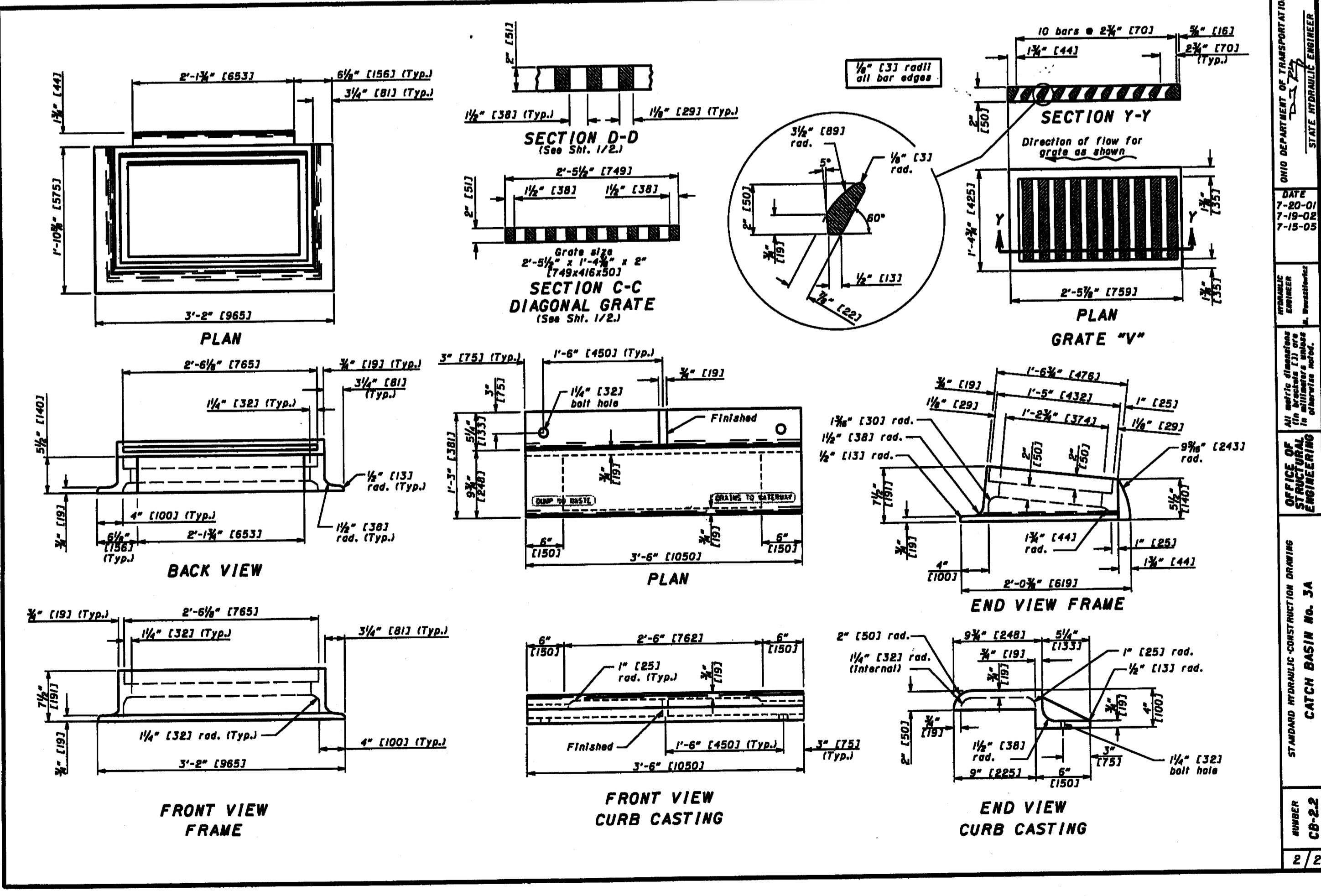
OFFICE OF TRANSPORTATION ENGINEERING

STANDARD HYDRAULIC CONSTRUCTION DRAWING

CATCH BASIN No. 3A

NUMBER CB-2J

1/2



PULTE HOMES OF OHIO, LLC
387 MEDINA RD., SUITE 1700
MEDINA, OH 44256
REP.: STAN KATANIC

BENTLEY RESERVE
465 S. HAMELTOWN RD.
COPLEY TOWNSHIP, OHIO

TYPICAL DETAILS

DRAWN BY: T.G.W.
DATE: JAN. 4, 2011
PROJECT NO. 36048D
DRAWING NO. SD-20A