

NOTE:

(a) CRUSHED STONE AGGREGATE No. 67, THOROUGHLY COMPACTED (NO SLAG) INSTALLED PER ASTM D-2321 CLASS 1.

(b) TRENCH BACKFILL: INSTALLATION UNDER PAVEMENT AND/OR WITHIN A 45' INFLUENCE FROM THE EDGE OF PAVEMENT SHALL BE INSTALLED IN ACCORDANCE WITH O.D.O.T. ITEM 304 BACKFILL. SLAG MATERIAL AND RECYCLED CONCRETE ARE NOT ACCEPTABLE. THE COUNTY ENGINEER MAY CONSIDER USE OF OTHER MATERIALS UNDER SPECIAL CONDITIONS. A WRITTEN REQUEST, INCLUDING EVIDENCE THAT THE REPLACEMENT MATERIAL WILL BE SUITABLE FOR BACKFILL MUST BE SUBMITTED FOR APPROVAL. SEE PIPE POLICY FOR ADDITIONAL REQUIREMENT FOR REPLACEMENT MATERIAL. COMPACTON REQUIREMENTS ARE AS FOLLOWS:

(c) UNDER PROPOSED PAVEMENT - BACKFILLING OF TRENCHES AND FILL MUST BE COMPACTED TO A MINIMUM OF 98% OF THE MATERIAL'S STANDARD PROCTOR MAXIMUM DRY DENSITY WITH THE MATERIAL'S MOISTURE CONTENT ADJUSTED TO WITHIN +1-2% OF THE OPTIMUM PRIOR COMPACTON.

(d) NOT UNDER PROPOSED PAVEMENT BUT WITHIN A 45 DEGREE INFLUENCE FROM THE EDGE OF PAVEMENT - BACKFILL MATERIAL MUST BE COMPACTED TO AT LEAST 95% OF THE MATERIAL'S STANDARD PROCTOR MAXIMUM DRY DENSITY WITH THE MATERIAL'S MOISTURE CONTENT ADJUSTED TO WITHIN +1-2% OF THE OPTIMUM PRIOR COMPACTON.

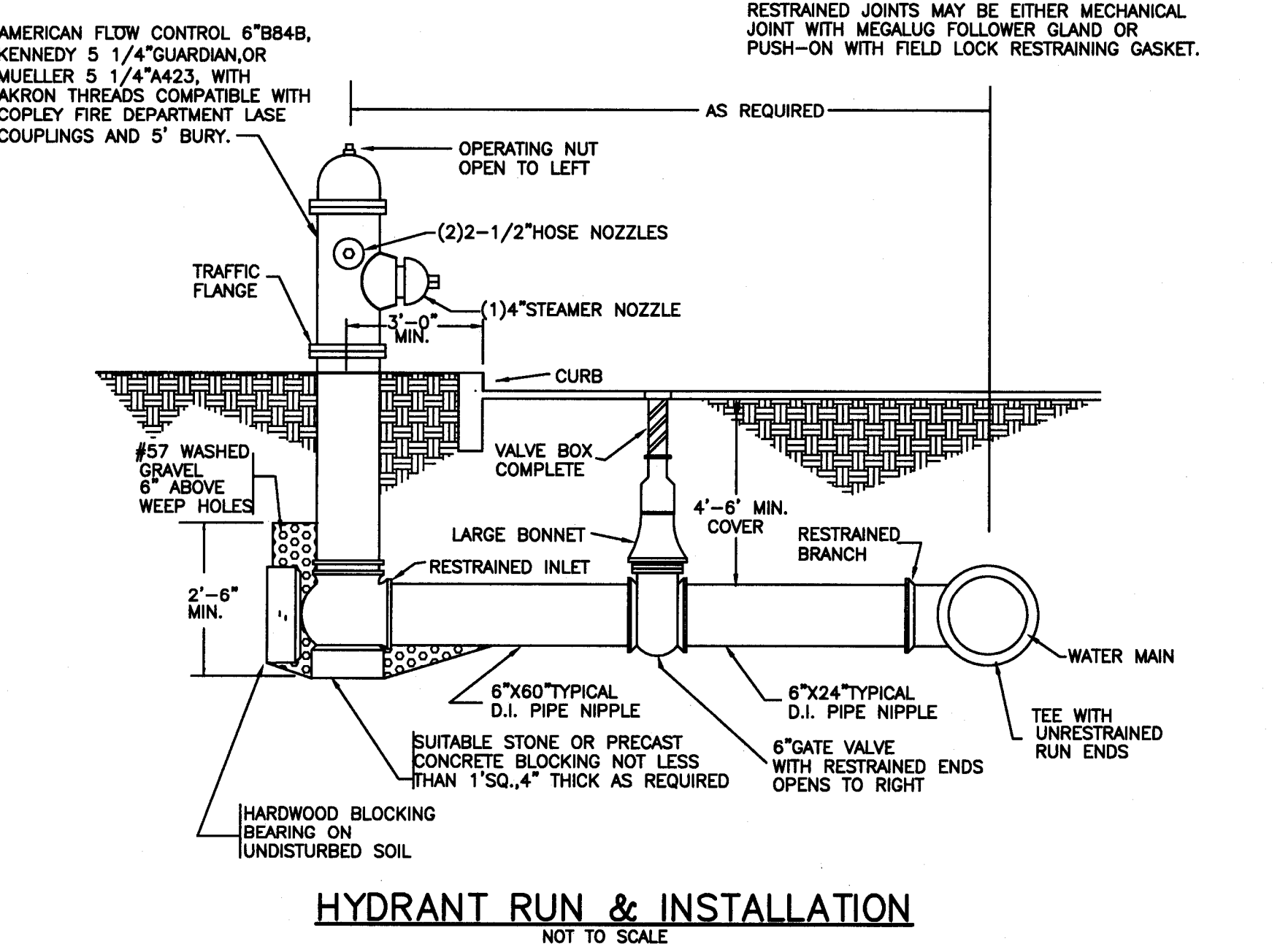
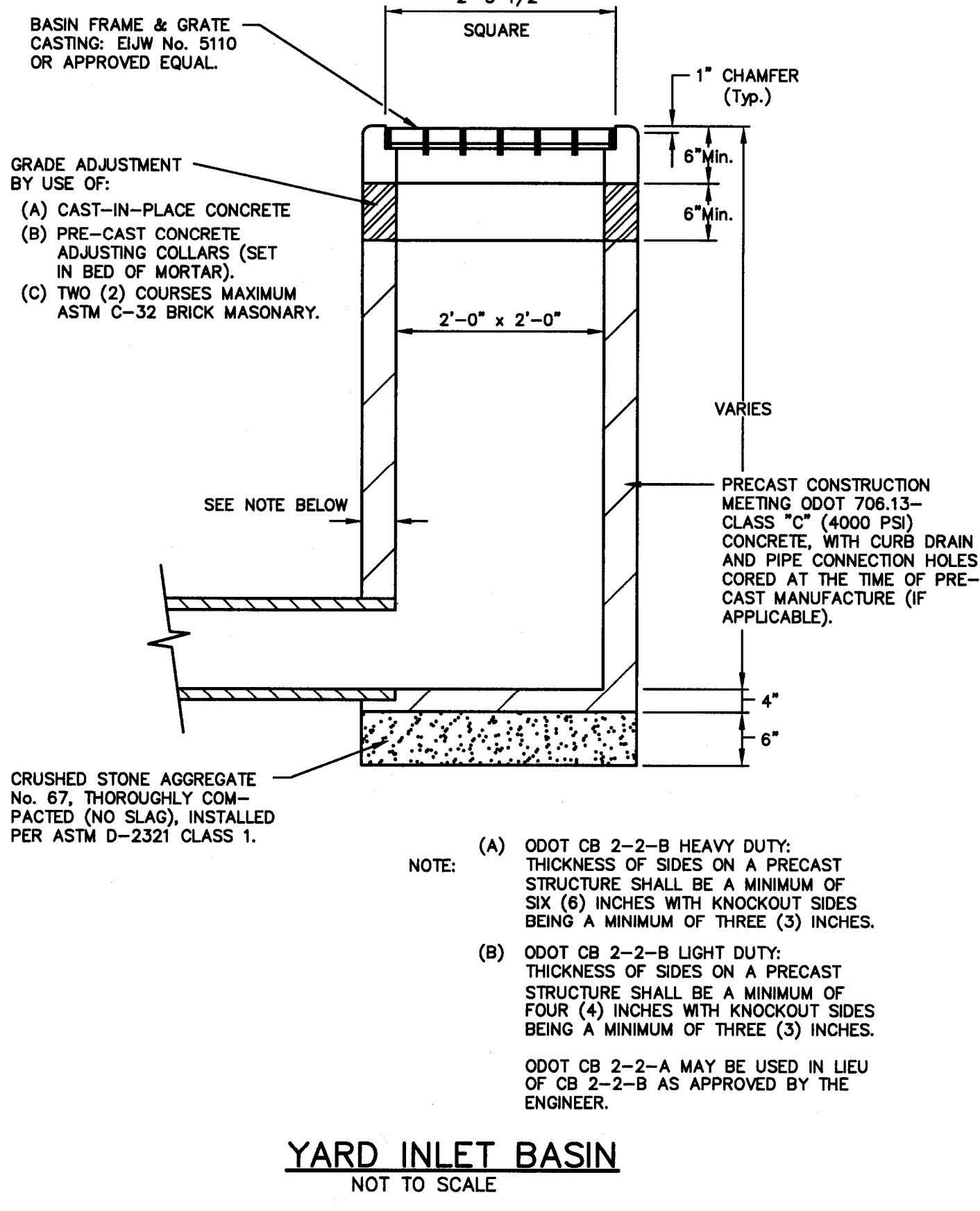
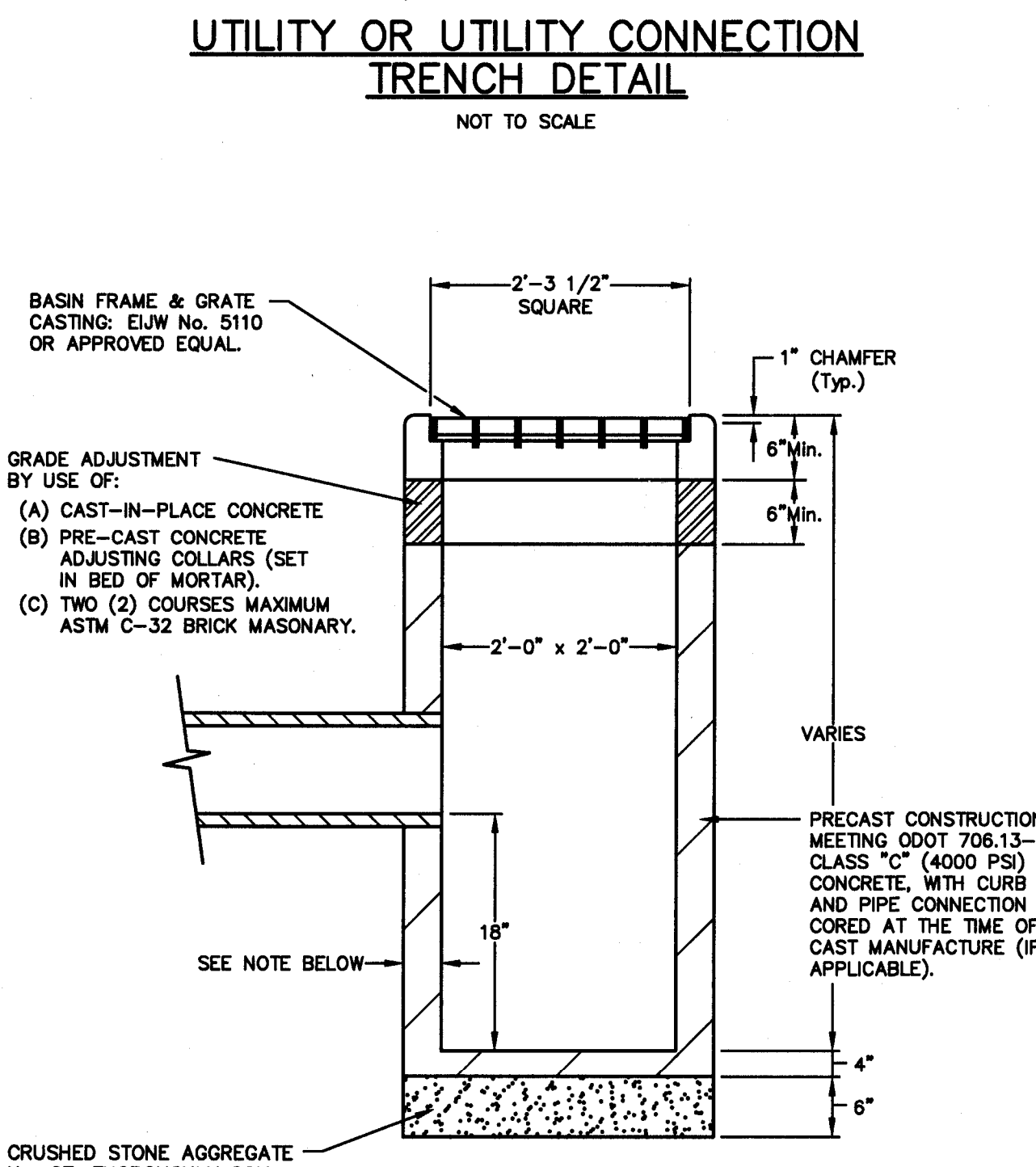
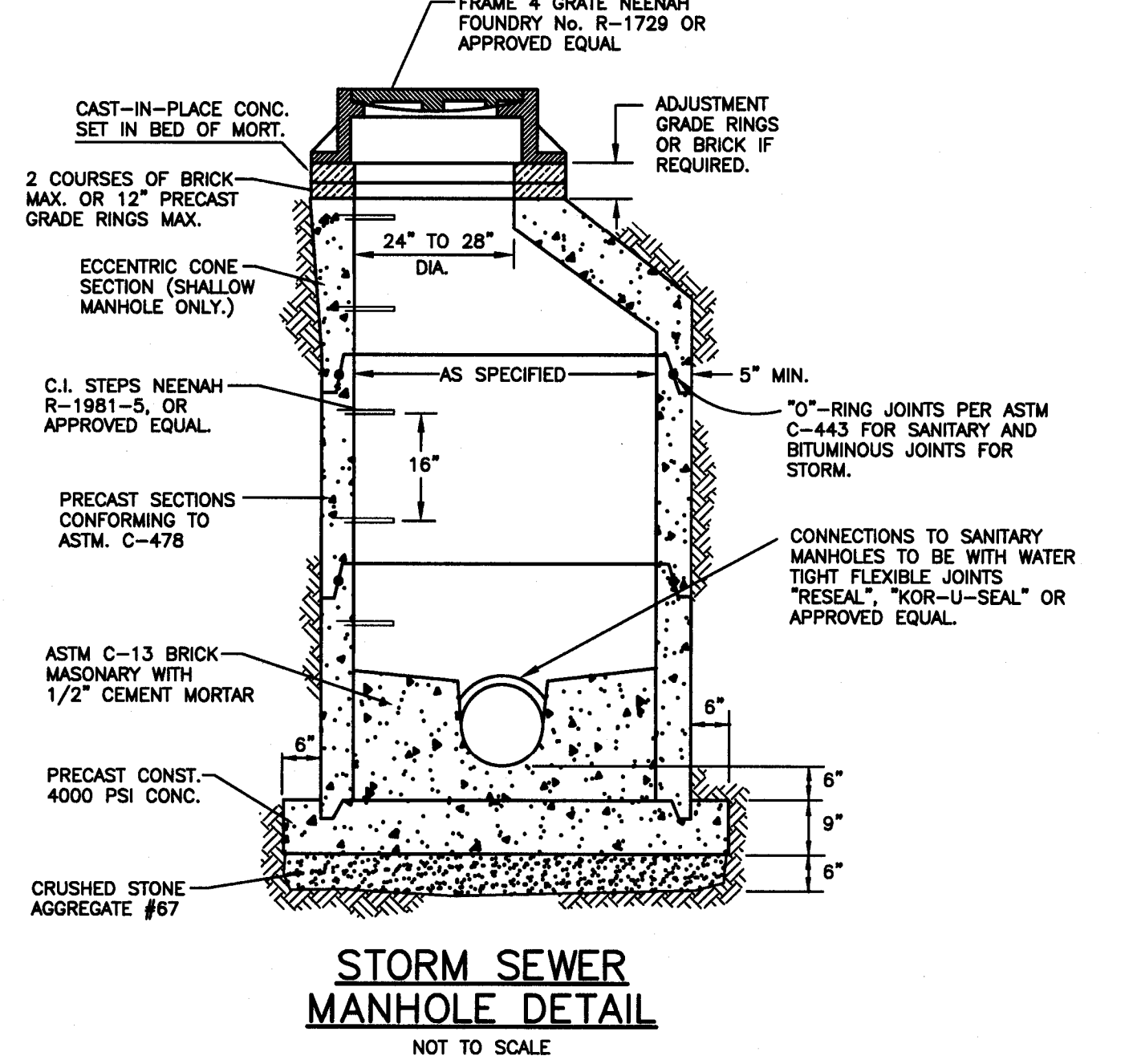
(e) WITHIN THE R/W BUT NOT UNDER PAVEMENT OR WITHIN THE 45 DEGREE INFLUENCE LINE - BACKFILL OR FILL MATERIAL MUST BE COMPACTED TO AT LEAST 85% OF THE MATERIAL'S STANDARD PROCTOR MAXIMUM DRY DENSITY WITH THE MATERIAL'S MOISTURE CONTENT ADJUSTED TO WITHIN +1-2% OF THE OPTIMUM PRIOR TO COMPACTON.

(f) IN DEPTHS OVER 8 FEET AND WHEN COMPACTING WITH A HOE-PAC OR EQUAL HYDRAULIC COMPACTOR, A CONTRACTOR MAY INSTALL THE FIRST LIFT UP TO 3 FEET IN DEPTH BEFORE COMPACTING. SUBSEQUENT LIFTS SHALL BE COMPACTED AS PER THE ABOVE. ADDITIONALLY, ODOT ITEM 603.08 MUST BE ADHERED TO. IF ANY CONFLICTING COMPACTON PERCENTAGES ARE FOUND TO EXIST BETWEEN THOSE INDICATED ABOVE AND ODOT SPECIFICATIONS, THE HIGHER COMPACTON PERCENTAGE SHALL GOVERN.

THESE REQUIREMENTS ARE TO BE FOLLOWED REGARDLESS OF THE MATERIAL USED TO BACKFILL OR FILL. THESE REQUIREMENTS PERTAIN TO INSTALLATION OF ALL UTILITIES, NOT JUST THE STORM SEWER AND SANITARY SEWER.

MINIMUM MANHOLE DIAMETERS
REFER TO PLAN FOR SPECIFIC SIZING REQUIREMENTS

MH Inside Dia. (in.)	Max. Pipe Dia. (in.)
48	30
60	36 to 42
72	48
84	54
90	60
96	60



NOTE:

(A) ODOT CB 2-2-B HEAVY DUTY: THICKNESS OF SIDES ON A PRECAST STRUCTURE SHALL BE A MINIMUM OF SIX (6) INCHES WITH KNOCKOUT SIDES BEING A MINIMUM OF THREE (3) INCHES.

(B) ODOT CB 2-2-B LIGHT DUTY: THICKNESS OF SIDES ON A PRECAST STRUCTURE SHALL BE A MINIMUM OF FOUR (4) INCHES WITH KNOCKOUT SIDES BEING A MINIMUM OF THREE (3) INCHES.

ODOT CB 2-2-A MAY BE USED IN LIEU OF CB 2-2-B AS APPROVED BY THE ENGINEER.